

# HARVIA CILINDRO

HPC1104XE

The Harvia Cilindro XE electric heater is a modern pillar heater that boasts digital control. Thanks to its large quantity of stones, the heater guarantees soft heat in medium-sized saunas. The design of the heater is sure to satisfy even the most demanding interior decorator – the pillar model can be embedded in the middle of the benches.

## Advantages

- The tall sauna heater looks impressive in the sauna and embedded into the bench. Exterior made out of stainless steel
- Separate digital control (Xenio)
- The large quantity of stones guarantees a soft heat
- Versatile backlit control panel with touch buttons and digital displays
- Can be used remotely with a separate Xenio WiFi remote control kit and MyHarvia app



## Features

Main material : Steel

H x W x D : 1070.0 x 365.0 x 365.0 mm

Net weight (kg) : 12.6

Installation location : Floor

ID	GTIN	Output (kW)	Sauna room size min - max m3
HPC1104XE	6417659028110	11 kW	9.0-18.0

## Related products



HPC2



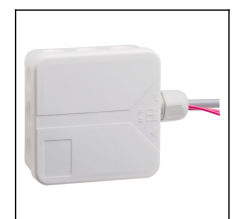
HPC4



HPC4L



HPC2L



FS-SY

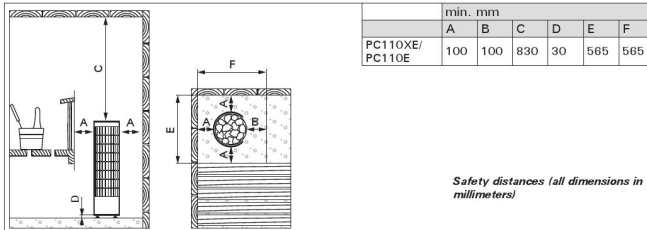
## Spare parts

Product	ID	Pcs
Heating element 3600W/230V	ZSC-360	3
Sensor with reset button 135deg.	WX247	1
Data cable 5 m RJ16 black	WX311	1
Data cable 1,5 m	WX312	1
Data cable extension 10 m	WX313	1
Control panel for CX170, CX110	WX380	1
Data cable 10 m RJ16 black	WX315	1
On/off electric switch	ZSK-684	1
Support plate for heating elements	ZSC-140	1
Circuit board XE	WX683	1

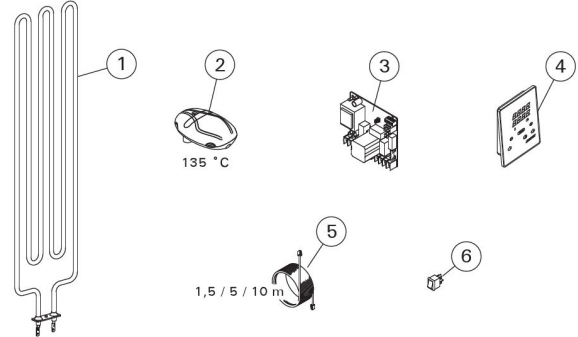
## Technical details

Technical data	Type / attribute	HPC1104XE
	Color	Stainless Steel
	Power output	11 kW
	Stone sizes	Ø5–10 cm
	Stone amount (kg)	120
Dimensions	Product width	365
	Product height	1070
	Product depth (mm)	365
	Net weight (kg)	12.6
	Gross weight	14.7
	Package width	420
	Package height	1100
	Package depth	420
Safety and installation dimensions	Safety distance front (non-combustible materials)	100
	Safety distance front (combustible materials)	100
	Safety distance side (non-combustible materials)	100
	safety distance to the side wall (combustible materials)	100
	Safety distance behind (non-combustible materials)	100
	Safety distance (Ceiling)	830
	Room min. height(depends on connections and therefore from output, star/delta)	1900
	Installation opening height	1900
	Installation opening width	565
	Installation opening depth	565

**Technical images**

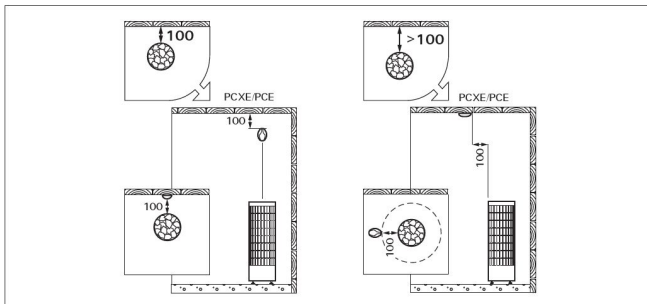


*Safety distances (all dimensions in millimeters)*

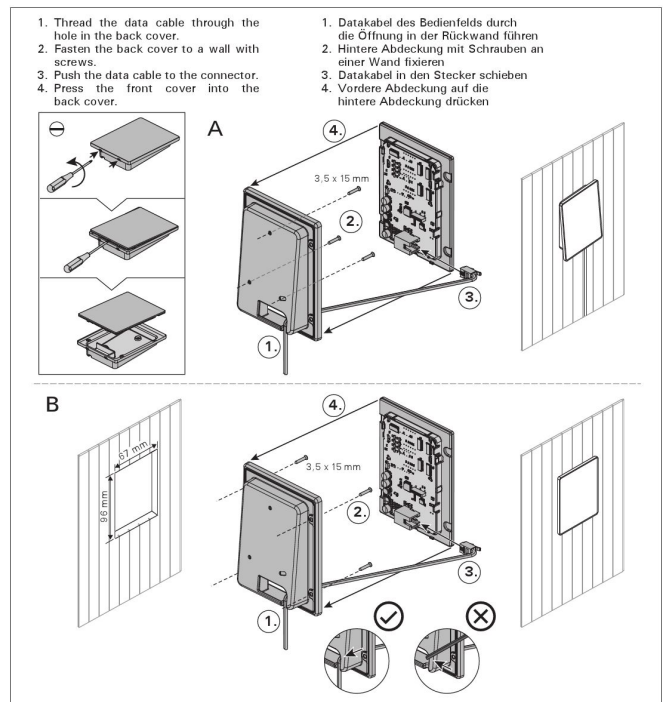


1	Heating element 3600 W	Heizelement 3600 W	PC110XE PC110E	ZSC-360
2	Temperature sensor (135 °C)	Temperaturfühler (135 °C)	PC110XE	WX247
3	Circuit board	Leiterplatte	PC110XE	WX683
4	Control panel	Bedienfeld	PC110XE	WX380
5	Data cable extension 10 m (optional)	Verlängerungskabel 10 m (wahlweise)	PC110XE	WX313
	Data cable 5 m (optional)	Datenkabel 5 m (wahlweise)		WX311
	Data cable 1.5 m (optional)	Datenkabel 1.5 m (wahlweise)		WX312
	Data cable 10 m (optional)	Datenkabel 10 m (wahlweise)		WX315
6	Main switch	Hauptschalter	PC110XE	ZSK-684

We recommend to use only the manufacturer's spare parts.



*Installing the temperature sensor (all dimensions in millimeters)*



*Installing the control panel*