

# HARVIA CILINDRO

HPC66400M

The Cilindro Black Steel PC 66 heater brings the benefits of a large stone surface to small saunas. THE PC 66 heater has a tall and narrow design, making it a perfect replacement for wall-mounted heaters. The Impressive look is highlighted by stylish black steel color that provides a modern touch for your sauna.

## Advantages

- Narrow and tall design that brings benefits of a large stone surface to small saunas
- Stylish black steel color provides a modern touch for your sauna
- Fits into various types of sauna interiors and installations
- Can be embedded in sauna benches
- With integrated timer and thermostat



## Features

Main material : Steel

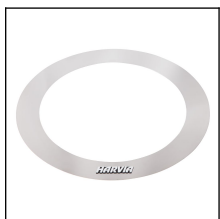
H x W x D : 1340.0 x 255.0 x 255.0 mm

Net weight (kg) : 12.6

Installation location : Floor

ID	GTIN	Output (kW)	Sauna room size min - max m3
HPC66400M	6417659026437	6.6 KW	5.0-9.0

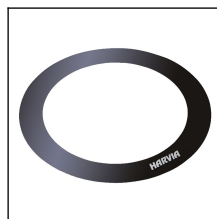
## Related products



HPC1



HPC2



HPC1M



HPC10



HPC10L

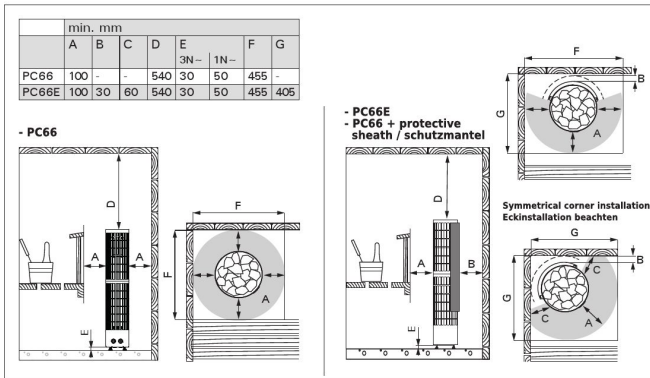
## Spare parts

Product	ID	Pcs
Heating element 2200W/230V	ZSC-022	3
Temperature sensor 135C with cable	WX255	1
Thermostat knob Vega 2009	ZSB-115	1
Timer knob Vega 2009	ZSB-125	1
Timer 4h+8h	ZSK-510	1
Thermostat/overheating limiter switch	ZSK-520	1
Bracket for capillary sensor	ZSC-145	1

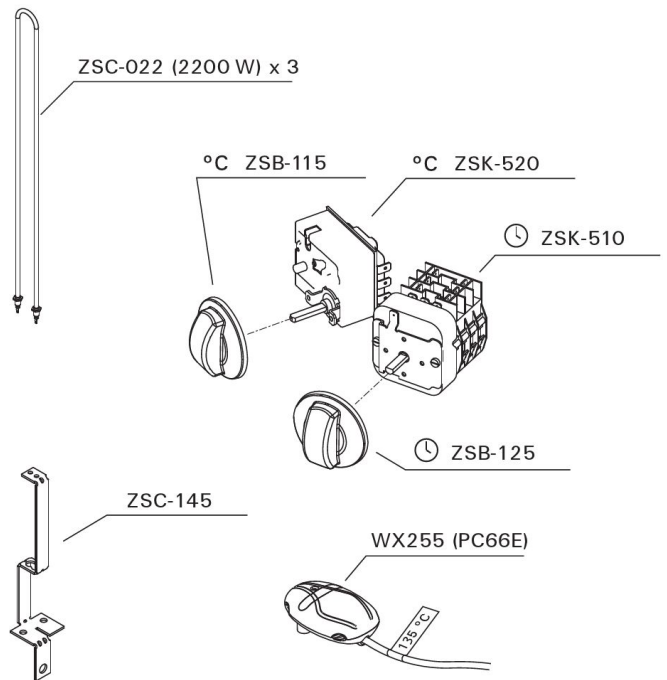
## Technical details

Technical data	Type / attribute	HPC66400M
	Color	Black Steel
	Power output	6.6 KW
	Stone sizes	Ø5–10 cm
	Stone amount (kg)	75
Dimensions	Product width	255
	Product height	1340
	Product depth (mm)	255
	Net weight (kg)	12.6
	Gross weight	14.5
	Package width	300
	Package height	1375
	Package depth	300
Safety and installation dimensions	Safety distance front (non-combustible materials)	100
	Safety distance front (combustible materials)	100
	Safety distance right side (combustible materials)	100
	Safety distance right side non-combustible materials	100
	Safety distance left side (combustible materials)	100
	Safety distance left side non-combustible materials	100
	Safety distance side (non-combustible materials)	100
	safety distance to the side wall (combustible materials)	100
	Safety distance behind (non-combustible materials)	30
	Safety distance behind (combustible materials)	30
	Safety distance (Ceiling)	540
	Room min. height(depends on connections and therefore from output, star/delta)	1900
	Installation opening height	1900
Installation opening width	455	
Installation opening depth	455	

Technical images



Safety distances (all dimensions in millimeters)



We recommend to use only the manufacturer's spare parts.