

# HARVIA GLOW CORNER

HTRC900400

The Harvia Glow Corner is a corner-installed pillar heater for medium-sized saunas. In addition to their aesthetic, Glow heaters also offer a pleasant sauna experience: the large stone quantity enables soft, comfortable steam.

## Advantages

- Corner-mounted, crown-like pillar heater
- Fits into a small space
- Plenty of visible stone surface
- Easy-to-use operating switches on the front of the heater



## Features

Main material : Steel

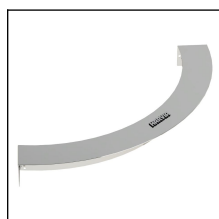
H x W x D : 1100.0 x 330.0 x 330.0 mm

Net weight (kg) : 17.5

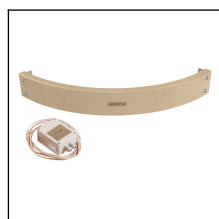
Installation location : Wall

ID	GTIN	Output (kW)	Sauna room size min - max m <sup>3</sup>
HTRC900400	6410082660148	9 kW	8.0-14.0

## Related products



HTRC1



HTRC3L



HTRC3

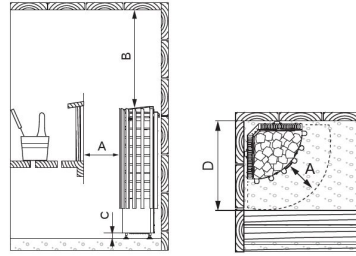
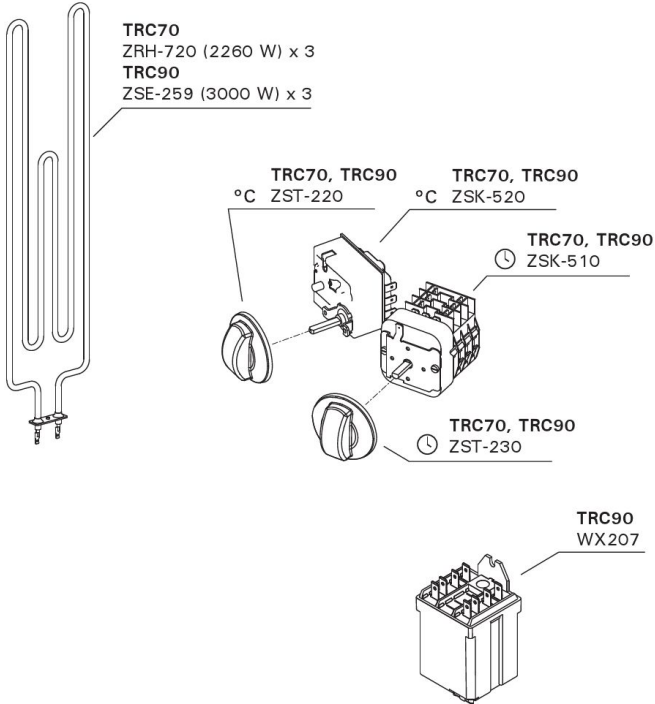
## Spare parts

Product	ID	Pcs
Heating element 3000W/230V	ZSE-259	3
Contactora K1 62.83.8.230.0300	WX207	1
Timer 4h+8h	ZSK-510	1
Thermostat/overheating limiter switch	ZSK-520	1
Thermostat knob	ZST-220	1
Timer knob	ZST-230	1

## Technical details

Technical data	Type / attribute	HTRC900400
	Color	Stainless Steel
	Power output	9 kW
	Stone sizes	Ø5–10 cm
	Stone amount (kg)	50
Dimensions	Product width	330
	Product height	1100
	Product depth (mm)	330
	Net weight (kg)	17.5
	Gross weight	19.7
	Package width	390
	Package height	1110
	Package depth	390
Safety and installation dimensions	Safety distance front (non-combustible materials)	100
	Safety distance front (combustible materials)	100
	Safety distance side (non-combustible materials)	100
	safety distance to the side wall (combustible materials)	100
	Safety distance (Ceiling)	800
	Room min. height(depends on connections and therefore from output, star/delta)	1900
	Installation opening height	1900
	Installation opening width	430
	Installation opening depth	430

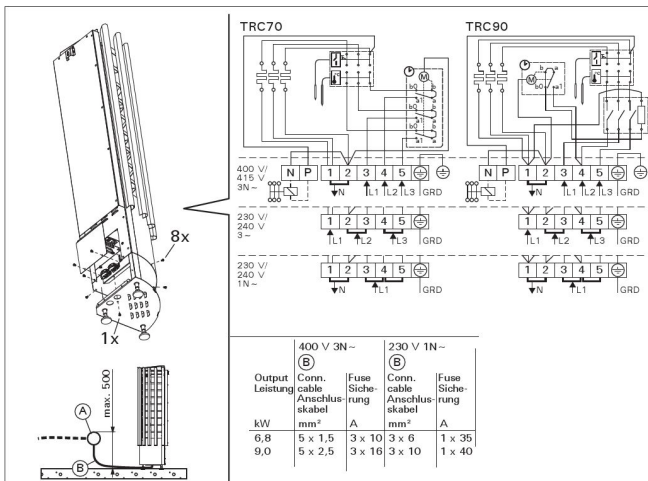
**Technical images**



	min. mm			
	A	B	C	D
TRC70	100	800	20	430
TRC90	100	800	20	430

Safety distances (all dimensions in millimeters)

We recommend to use only the manufacturer's spare parts.



Electrical connections