

Sauna control unit HOME.COM4

new function „Door sensor“

Supplement / change to the operating instructions:

HC4-B-RS485 /1-052-984 Version 08/22



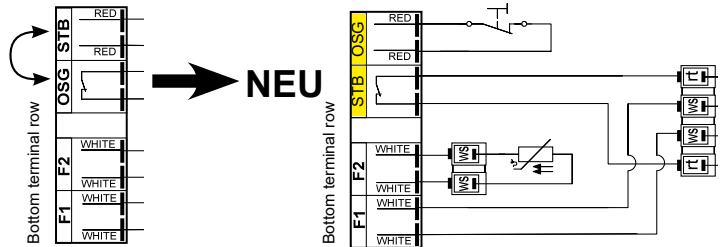
Product manual you can find at: <https://www.sentiotec.com/downloads> or

The new function ensures optimal door monitoring for remote control!

Optionale accessories: Door sensor home SAB00103 / 1-052-723



The connection position of STB and OSG were exchanged!



EN

DE

Note the change in the above product manual under the following points:

5.4. Installing heater sensor (clamp red wires at STB)

5.7. Connecting safety device or NEW connecting door sensor (clamp wires at OSG)

9. Commissioning


9.1. Technician menu

- Open the technician menu (press the rotary knob and the main switch at the same time)
- Navigate through the menu with the rotary selector and scroll to the item „Safety Device Option“
- Activate the door-function - to select the menu item, press the rotary selector.
- Exit the technician menu (select and confirm menu item „Exit“)

Menu item	Description	Setting options
Remote enabling	Remote start release	Internal/external
Safety Device Option	Activate door sensor	Safe / Door

10. Operation


10.16. Activating „Standby for remote operation“ with door sensor

1. Use rotary selector to select the remote start icon. 
2. Then press rotary selector briefly to start the operating mode “Standby for remote operation”
 - ▶ A countdown of 30 seconds is shown in the lower display (00:30). During this time, the door can be opened/closed as often as you like. After the countdown has expired, the door must be closed!
 - ▶ The sauna control unit is then ready to be started and stopped using a remote start signal. It is not possible to manually operate the sauna control unit at the same time.
 - ▶ After a remote start and stop, the remote start icon goes out and the mode has to be activated again.

Door is opened - warning „door“ appears in the display

- at mode „Standby for remote operation“:

To continue the mode, the door must be closed and the rotary selector has to be press and turn right at the same time.

- ▶ The remote start icon is shown in the display 

Then press rotary selector briefly to start the operating mode “Standby for remote operation”


- ▶ The countdown (30 sec.) is shown again in the display.

- in operation or enable remote start output (for coinoperated unit or door sensor system):

The acknowledgment takes place automatically when the door is closed.

EN

Additional Innovation:

Display of the operating time (e.g.:  01:56)



Saunasteuerung home.com4

neue Funktion „Türsensor“

Ergänzung / Änderung zu der Bedienungsanleitung:

HC4-B-RS485 / 1-052-984 Version 08/22

Bedienungsanleitung unter: <https://www.sentiotec.com/downloads> oder

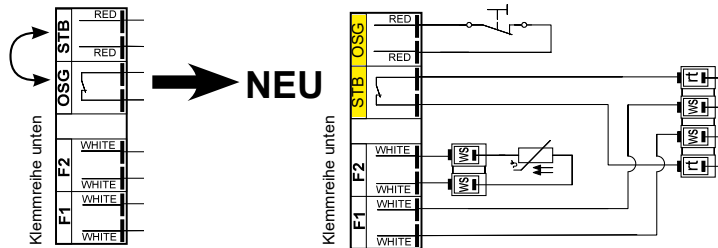


Die neue Funktion gewährleistet eine optimale Türüberwachung bei Fernwirken!

optionales Zubehör: Türsensor Home SAB00103 / 1-052-723



Die Anschlussposition von STB und OSG wurden getauscht!



DE

Beachten Sie die Änderungen in der oben angeführten Bedienungsanleitung unter folgenden Punkten:

5.4. Ofenfühler anschließen (rote Leitungen an STB anklammern)

5.7. Sicherheitsabschaltung anschließen bzw. NEU Türsensor (Leitungen an OSG anklammern)

9. Inbetriebnahme


9.1. Techniker Menü

- Rufen Sie das Techniker-Menü auf, indem Sie beim Einschalten gleichzeitig den Drehwähler und den Hauptschalter drücken.
- Navigieren Sie mit dem Drehwähler zum Menüpunkt „Safety Device Option“
- Aktivieren Sie die Door-Funktion - um die Auswahl zu bestätigen, drücken Sie den Drehwähler.
- Verlassen Sie das Techniker Menü (Menüpunkt „Exit“ auswählen und bestätigen)

Menüpunkt	Beschreibung	Einstellmöglichkeiten
Remote enabling	Fernstart - Freigabe	Internal/external
Safety Device Option	Türsensor aktivieren	Safe / Door

10. Bedienung

10.16. Standby für Fernwirken (mit Türsensor) aktivieren

1. Wählen Sie mit dem Drehwähler das Fernstartsymbol aus 
2. Drücken Sie den Drehwähler kurz, um die Betriebsart „Standby für Fernwirken“ zu starten.
 - ▶ Im Display wird ein Countdown von 30 Sekunde angezeigt (00:30). Die Tür kann in dieser Zeit beliebig oft geöffnet / geschlossen werden. Nach Ablauf des Countdown muss die Türe geschlossen sein!
 - ▶ Die Saunasteuerung ist nun bereit um über ein Fernstartsignal gestartet und gestoppt zu werden. Zeitgleich ist keine manuelle Bedienung der Saunasteuerung möglich.
 - ▶ Nach erfolgtem Fernstart- und Fernstopp erlischt das Fernstart-Symbol und die Aktivierung der Betriebsart muss erneut vorgenommen werden.

Tür wird geöffnet - im Display erscheint Warnung „Door open“

- im Modus Standby für Fernwirken:

Um den Modus fortzusetzen muss die Tür geschlossen werden und der Drehwähler gleichzeitig gedrückt und nach rechts gedreht werden.

- ▶ Im Display wird das Fernstartsymbol angezeigt. 

Drücken Sie den Drehwähler kurz, um die Betriebsart „Standby für Fernwirken“ zu starten.

- ▶ Im Display wird wieder der Countdown (30 Sek.) angezeigt

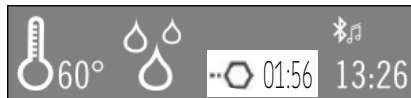
- im laufenden Betrieb oder freigegebenen Fernstart-Ausgang (für Münzer):

Die Quittierung erfolgt automatisch, wenn die Tür geschlossen wird.

DE

zusätzliche Neuerung:

Anzeige der Restlaufzeit (z.B.:  01:56)



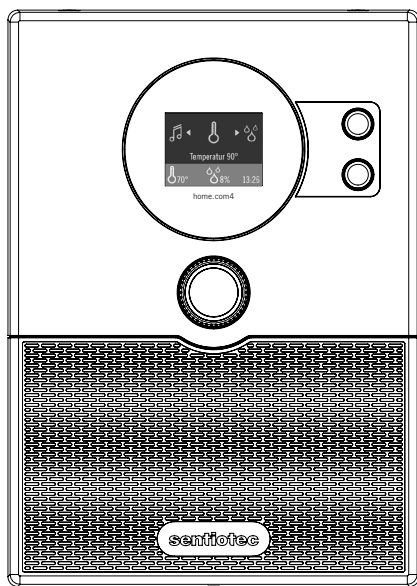
Sauna controller

home.com4

With RS485 interface

INSTRUCTIONS FOR INSTALLATION AND USE

English



EN

DE

FR

IT

SV

FI

home.com4 BLACK RS485

home.com4 WHITE RS485

1-052-984 / HC4-B-RS485

1-052-985 / HC4-W-RS485

Table of Contents

1.	About this instruction manual	5
2.	Important information for your safety	6
2.1.	Intended use	6
2.2.	Safety information for the installer	7
2.3.	Safety information for the user	8
3.	Product description	9
3.1.	Scope of delivery	9
3.2.	Optional accessories	9
3.3.	Product features	9
3.4.	Sauna operating modes	11
3.5.	Sensor operating modes	11
4.	Installation	13
4.1.	Installing the control unit	13
4.2.	Cable glands	16
4.3.	Installing the heater sensor F1 with overheat cut-out	17
4.4.	Installing the bench sensor F2 (optional)	18
4.5.	Installing the humidity/temperature sensor FTS2 (optional)	18
4.6.	Installing the foil sensor (optional)	18
5.	Electrical connection	19
5.1.	Power supply cable, heater and vaporizer	21
5.2.	Cabin light	21
5.3.	Fan	21
5.4.	F1 heater sensor	22
5.5.	Bench sensor F2 (optional)	22
5.6.	Humidity/temperature sensor FTS2 (optional)	22
5.7.	Safety shut-off	23
5.8.	Auxiliary output	23

5.9.	Foil sensor (optional)	23
5.10.	Power booster (optional)	24
5.11.	Remote start (optional).....	24
5.12.	Speaker output (optional).....	24
5.13.	DMX output (optional)	25
5.14.	BUS connection (RS485 interface).....	26
5.15.	Finishing the installation.....	26
6.	Testing	27
7.	Connection diagram	28
7.1.	Connection diagram basic module 230 V / 400 V.....	28
7.2.	Connection diagram for basic module low voltage.....	29
7.3.	Connection diagram for expansion module 230 V.....	30
7.4.	Connection diagram for expansion module low voltage.....	31
8.	Controls	32
9.	Commissioning	33
9.1.	Technician menu.....	33
10.	Operation	36
10.1.	Switching on the light (cleaning lights).....	36
10.2.	Switching on the control unit.....	36
10.3.	Sauna mode.....	37
10.4.	Combi-mode	38
10.5.	Post-drying program.....	39
10.6.	Cabin light	39
10.7.	Fan.....	40
10.8.	Preset time.....	40

10.9.	Operating time	41
10.10.	ECO mode.....	42
10.11.	Weekly timer.....	43
10.12.	Child safety control.....	44
10.13.	All Off.....	45
10.14.	User programs.....	45
10.15.	Additional output.....	47
10.16.	Activating standby for remote operation.....	48
10.17.	Coloured light.....	49
10.18.	Music.....	50
10.19.	BUS connection (RS485 interface).....	52
11.	Bluetooth app.....	53
11.1.	Secure pairing Bluetooth.....	53
12.	Cleaning and maintenance.....	54
12.1.	Cleaning.....	54
12.2.	Maintenance.....	54
13.	Disposal.....	54
14.	Troubleshooting.....	55
14.1.	Error messages.....	55
14.2.	Low-water display.....	55
14.4.	Battery.....	58
14.3.	Fuses.....	58
15.	Technical data.....	59

1. About this instruction manual

Read these installation and operating instructions carefully and keep them within reach of the sauna controller. This ensures that you can refer to information on safety and operation at any time.



These installation and operating instructions can also be found in the downloads section of our website: www.sentiotec.com/downloads.

Symbols used for warning notices

In these instructions for installation and use, a warning notice located next to an activity indicates that this activity poses a risk. Always observe the warning notices. This prevents damage to property and injuries, which in the worst case may be fatal.

The warning notices contain keywords, which have the following meanings:



DANGER!

Serious or fatal injury will occur if this warning notice is not observed.

EN

WARNING!

Serious or fatal injury can occur if this warning notice is not observed.



CAUTION!

Minor injuries can occur if this warning notice is not observed.

ATTENTION!

This keyword is a warning that damage to property can occur.

Other symbols



This symbol indicates tips and useful information.

2. Important information for your safety

The sauna control units of the home.com4 series have been produced in accordance with the applicable safety rules and regulations. However, hazards may arise during use. Therefore adhere to the following safety information and the specific warning notices in the individual chapters. Also observe the safety information for the devices connected.

2.1. Intended use

The sauna control units of the home.com4 series are used exclusively for operating and controlling the sauna functions in accordance with the technical data.

The sauna control units of the home.com4 series may only be used for operating and controlling a sauna heater which has been certified as satisfying the combustion test described in paragraph 19.101 of EN 60335-2-53. If the heater does not meet this requirement, an appropriate safety precaution must be taken (for example: Safety shut-off, see 5.7 on page 23).

The sauna control units of the home.com4 series may only be used for operating and controlling three heating circuits with a maximum heating capacity of 3.5 kW per heating circuit. The maximum evaporator output totals 3.5 kW. The maximum additional output totals 3.5 kW.

Any use exceeding this scope is considered improper use. Improper use can result in damage to the product, severe injuries or death.

2.2. Safety information for the installer

- Installation may only be performed by a qualified electrician or similarly qualified person.
- Work on the sauna controller may only be performed when the power has been disconnected.
- A fully disconnecting all-pole isolating device compliant with overvoltage category III must be fitted on site.
- The sauna control unit must be installed outside the sauna room at a height of approx. 1.70 m or in accordance with the recommendation issued by the sauna manufacturer. The ambient temperature must be within a range spanning -10 °C to +40 °C.
- The heater sensor must be installed in such a way that it is not affected by inflowing air.
- The heater supply cable must have a minimum cross-sectional area of 2.5 mm² and be temperature-resistant up to 150 °C.
- Also comply with the regulations applicable at the installation location.
- For your own safety, consult your supplier in the event of problems that are not explained in sufficient detail in the installation instructions.

2.3. Safety information for the user

- The sauna controller must not be used by children under 8 years of age.
- The sauna controller may be used by children over 8 years of age, by persons with limited psychological, sensory or mental capabilities or by persons with lack of experience/knowledge, but only if:
 - They are supervised.
 - They have been shown how to use the device safely and are aware of the hazards that could occur.
- Children must not play with the sauna controller.
- Children under 14 years of age may only clean the sauna controller if they are supervised.
- For health reasons, do not use the sauna when under the influence of alcohol, medication or drugs.
- Make sure that no flammable objects have been placed on the sauna heater before the sauna controller is switched on.
- Make sure that no flammable objects have been placed on the sauna heater before activating the preset time function or the standby mode for remote start.
- Make sure that no flammable objects have been placed on or in front of the infrared heater before the sauna control unit is switched on.
- Make sure that no flammable objects have been placed on or in front of the infrared heater before activating the preset time function or the stand-by mode for the remote start.
- For your own safety, consult your supplier in the event of problems that are not described in sufficient detail in the user instructions.

3. Product description

3.1. Scope of delivery

- Sauna control unit home.com4
- Heater sensor with integrated overheat cut-out
- Sensor cables
- Installation material
 - 4 x chipboard screw 3 x 25 mm raised countersunk head

3.2. Optional accessories

- Bench sensor (1-009-231/O-F2), sensor cables 1.5 m
- Humidity/temperature sensor (1-010-081/O-FTS2), sensor cables 6 m
- Foil sensor (1-014-445/P-ISX-FF), sensor cables 3 m
- Power booster (1-008-779 / O-S2-18, 1-009-280 / O-S2-30)
- Safety shutdown (SFE-xxxxx)

3.3. Product features

The sauna control unit home.com4 features the following functions:

- Regulation of combi-model sauna heaters with a heating output of up to 10.5 kW and vaporizer output of up to 3.5 kW in the temperature range spanning 30 °C to 110 °C and a humidity range spanning 0% to 100%.
- A power booster allows the maximum switching capacity to be increased from 10.5 kW to 18 kW or 30 kW.
- Switching a cabin light (up to 100 W)
- Fan regulation (up to 100 W)
- Preset time function (up to 6 hours)
- User programs
The user programs enable favourite sauna settings to be saved and accessed again. There are 5 preset user programs available which can be modified according to user requirements.
- Automatic heating time limit
The maximum heating period can be set to 6 h, 12 h, 18 h or 24 h.

- Overheat cut-out
The overheat cut-out is installed in the housing for the heater sensor. If a defect causes the sauna heater to continue heating after reaching the preferred temperature, the overheat cut-out switches the sauna heater off at a temperature of around 139 °C.
- Real-time clock with weekly timer
- Post-drying program
After operation in combined mode, the post-drying program starts automatically to prevent mould or rot from forming in the sauna cabin. This involves heating the sauna room to 80 °C with the fan running for 30 minutes.
- Auxiliary output
Optional dimming (up to 500 W) or activation (up to 3.5 kW) for the additional output.

The additional output has no overheat cut-out. For this reason, only intrinsically safe devices should be operated using the additional output.

- If infrared heaters are connected to the additional output, they must have an overheat cut-out.
- If infrared heat plates are connected to an additional output, the foil sensor 1-014-445/P-ISX-FF must be used and activated on the technician menu (see **“9.1. Technician menu” on page 33**):
- Remote start function of two different operating modes or user programs.
- Colour light control via DMX
 - Adjustment of colour, brightness, transition times and duration.
 - Four colour light groups independently operable.
- Music playback via Bluetooth®
 - Integrated amplifier
- Operation via Bluetooth® app
 - Available for iOS and Android
- BUS connection
 - Connection to house bus system via RS485 interface
 - Connection to MySentio WIFI

3.4. Sauna operating modes

The sauna control unit home.com4 provides two operating modes: sauna mode and combi-mode. If no evaporator is connected, the menu item for operating the evaporator can be hidden (see “9.1. Technician menu” on page 33).

Sauna mode

Dry heat is provided in sauna mode. The temperature in the cabin is high (80 to 100 °C). The humidity is low (no more than 10%).

Combi mode

The vaporizer operates along with the sauna heater in combi-mode. The temperature in the sauna cabin is lower (around 40 to 65 °C) than in sauna mode, but the relative humidity is much higher, ranging from 35% to 70%. The maximum humidity that can be set depends on the temperature of the sauna. The higher the sauna temperature, the lower the maximum humidity level which can be set.

3.5. Sensor operating modes

The sauna control units of the home.com4 series can be operated with one or two sensors. A temperature sensor (bench sensor, F2) or a humidity sensor (FTS2) can be used as the second sensor.

Single sensor mode (F1)

The maximum humidity level which can be set in single-sensor mode is based on the temperature above the heater and the humidity is timed. Only the setpoint for the humidity (in % relative humidity) is shown on the sauna controller display. The actual humidity in the sauna cabin when the humidity is timed depends on the size of the cabin and the evaporator output, and may differ from the setpoint.

Two-sensor mode with bench sensor (F2)

In two-sensor mode with bench sensor, a second temperature sensor (bench sensor) is installed above the rear sauna bench. The sauna controller displays the temperature measured by the bench sensor as the actual temperature.

In two-sensor mode with bench sensor, the humidity is timed. Only the setpoint for the humidity (in % relative humidity) is shown on the sauna controller display. The actual humidity in the sauna cabin when the humidity is timed depends on the size of the cabin and the evaporator output, and may differ from the setpoint.

Two-sensor mode with humidity/temperature sensor (FTS2)

When a humidity/temperature sensor is used in two-sensor mode, the sauna control unit displays the temperature which is measured by the humidity/temperature sensor as the actual temperature.

In two-sensor mode with humidity/temperature sensor, the evaporator is regulated in accordance with the humidity level measured in the sauna room. The sauna controller displays the actual humidity (in % relative humidity) in the sauna cabin.

If a humidity/temperature sensor is connected, the “evaporator” menu item cannot be hidden.

4. Installation

4.1. Installing the control unit

ATTENTION!***Damage to the unit***

The sauna controller is resistant to splashing water, but direct contact with water could still damage it.

- Install the sauna control unit in a dry place at which a maximum humidity of 95% is not exceeded.
-

ATTENTION!***Interference can impair signal transmission***

- Route all sensor cables separately from other mains cables and control cables.
 - Protect cables with only one layer of insulation by using a conduit (double insulation).
-

Observe the following points when installing the sauna control unit:

- The sauna control unit must be installed outside the sauna room or in accordance with the recommendation issued by the sauna manufacturer.
- The ambient temperature must be within a range spanning -10 °C to $+40\text{ °C}$.
- The sensors may only be connected using the sensor leads supplied with the unit, which are heat-resistant up to 150 °C .



The sensor leads may be extended under the following conditions:

- A silicon cable resistant to temperatures up to 150 °C is used.
 - The minimum cross-sectional of the cable is 0.5 mm^2 .
 - The heater sensor cables may NOT be longer than 10 m.
-

Installing the sauna control unit

To install the sauna control unit, perform the following steps:

1. Screw two chipboard screws (3 x 25 mm) into the wall of the sauna at a height of approx. 1.70 m and leaving a protruding length of 7 mm. The two screws must be placed at a distance of 156 mm from each other (see **Fig. 1**).

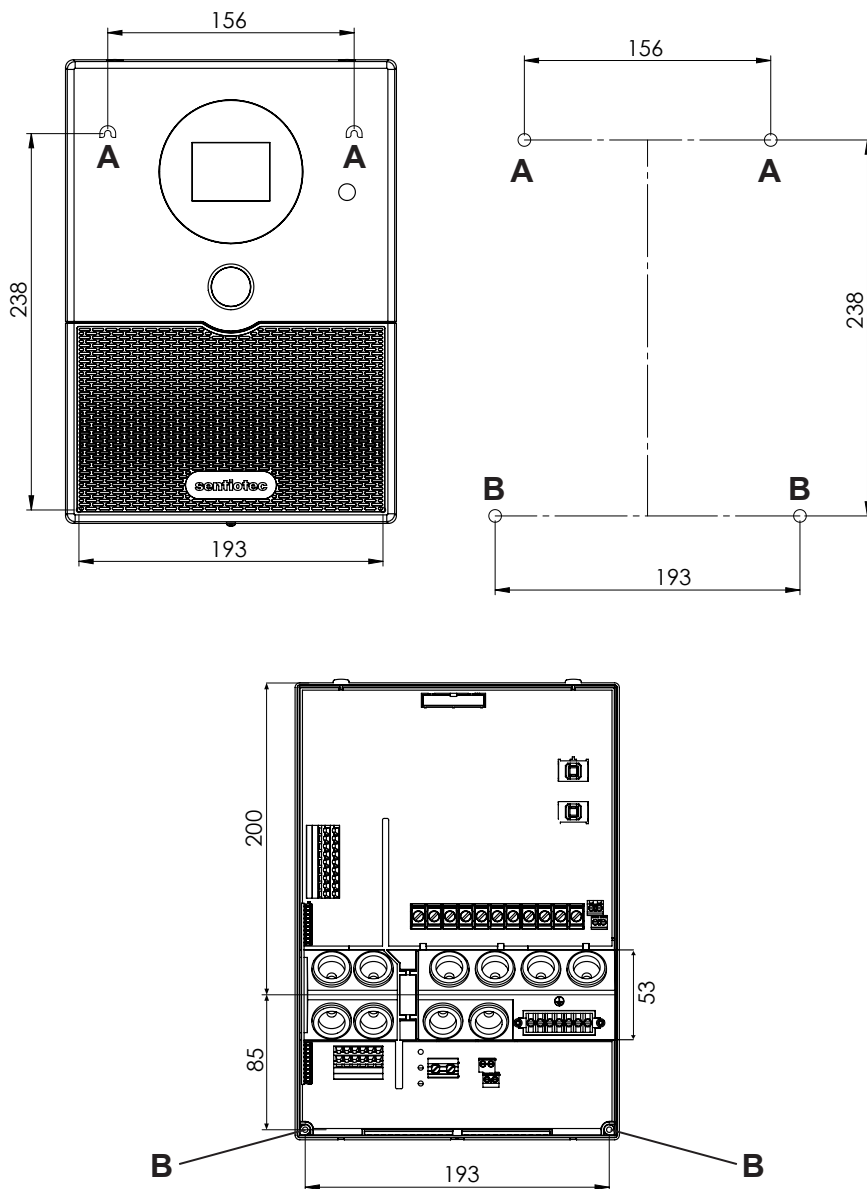


Fig. 1 Position of the attachment device and the installation holes (dimensions in mm)

2. Use a screwdriver to remove housing screw **C** and lift off the housing cover from the underside (see **Fig. 2**).

ATTENTION!

When the housing cover is raised, the on/off switch **D** and the light switch **D** are released from the mounting. Retain these for the duration of the connection work.

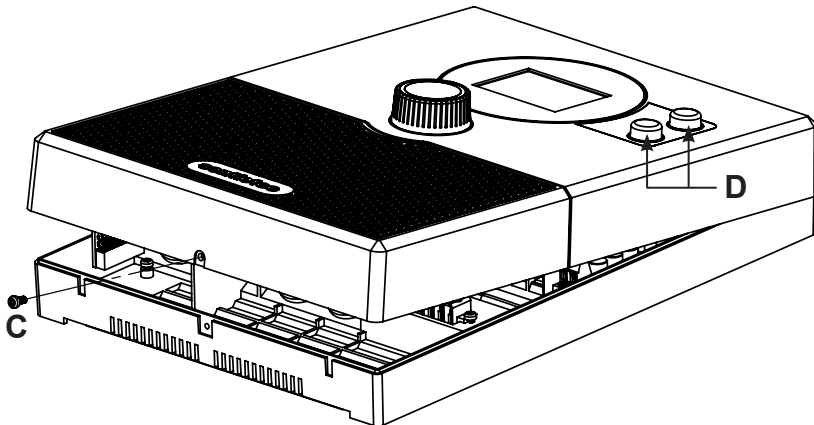


Fig. 2 Remove housing cover

3. Pull gently on ribbon cable **E** to release it from the connection socket (**Fig. 3**).

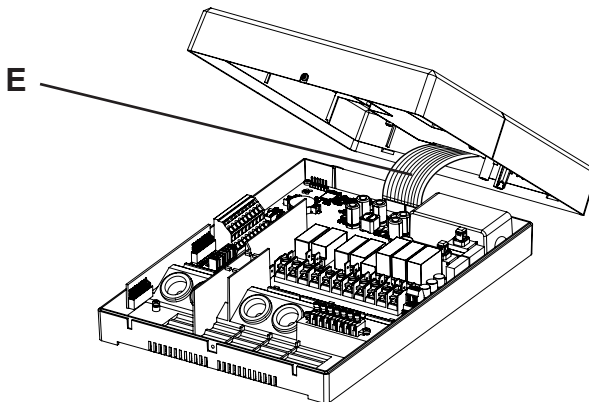


Fig. 3 Unplug ribbon cable

4. Fasten the sauna control unit onto the cross-head screws using attachment device **A** as an aid (see **Fig. 1**).
5. Screw two chipboard screws (3 x 25 mm) into the lower fastening holes **B** (see **Fig. 1**).

4.2. Cable glands

Power, supply and sensor cables should be laid in advance in the cabin wall and pulled through the respective cable glands of the sauna control unit.

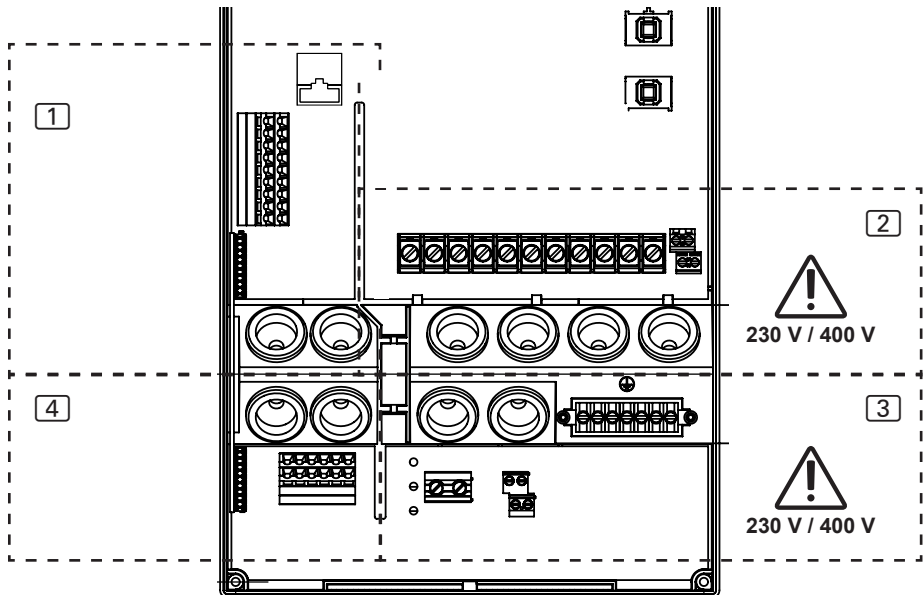


Fig. 4 Connection areas

- 1** **Low-voltage connection area for basic module:** Heater sensor (F1), bench sensor (F2), humidity sensor (FTS2), safety shut-off (OSG) and BUS connection
- 2** **Connection area for basic module for 230 V / 400 V:** Supply line, heater cable, light and fan.

Expansion module:

- 3** **Connection area for 230 V:** Additional output and booster cable.
- 4** **Connection area for low voltage:** Speaker cables, remote start, foil sensor and DMX.

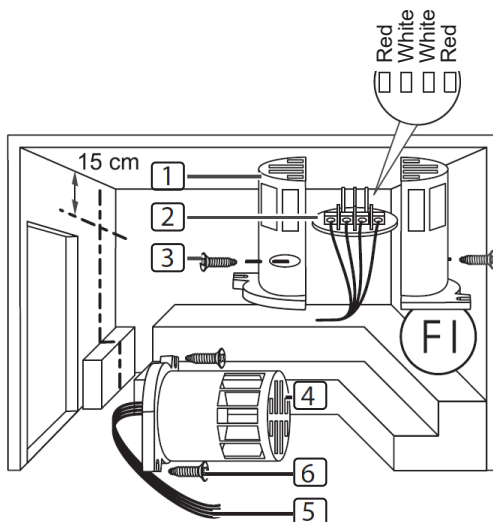
4.3. Installing the heater sensor F1 with overheat cut-out

Note the following points when installing the heater sensor:

- The heater sensor must be installed on the rear of the heater, above the middle of the sauna heater. A distance of about 15 cm from the ceiling of the cabin must be maintained.
- The heater sensor must be installed in such a way that it is not affected by inflowing air.

To install the heater sensor, carry out the following steps (see **Fig. 5**):

1. Route the two 2-pole heater sensor leads in the wall of the sauna room to the mounting location of the heater sensor and affix the heater sensor leads using cable clips.
2. Pull the two half-shells [1] of the heater sensor apart.
3. Connect the four connections for the heater sensor lead [5] in accordance with **Fig. 5**.
4. Place the connection panel [2] crossways (as shown in **Fig. 5**) in the heater sensor half-shells.
5. Place the two half-shells together, screw them together using two cross-head screws [3] (9 mm) and check whether the heater sensor has been securely closed.
6. Install the heater sensor on the rear of the heater using the two supplied wood screws [6] (16 mm).



- [1] Heater sensor half-shells
- [2] Connection panel
- [3] Cross-head screws (9 mm)
- [4] Heater sensor
- [5] Heater sensor leads
- [6] Wood screws (16 mm)

Fig. 5 Installing the heater sensor

4.4. Installing the bench sensor F2 (optional)

The bench sensor must be installed on the wall of the cabin above the rear bench seat. A distance of about 15 cm from the ceiling of the cabin must be maintained.

To install the bench sensor, carry out the following steps:

1. Route the 2-pole bench sensor lead in the wall of the sauna room to the mounting location of the bench sensor and affix the bench sensor leads using cable clips.
2. Pull the two half-shells of the bench sensor apart.
3. Connect the two connectors for the bench sensor lead to the two middle terminals on the connection panel.
4. Place the connection panel crossways in the bench sensor half-shells.
5. Place the two half-shells together and screw them together using the two cross-head screws (9 mm).
6. Check whether the bench sensor has been securely closed.
7. Install the bench sensor on the wall of the sauna room using the two supplied wood screws (16 mm).

4.5. Installing the humidity/temperature sensor FTS2 (optional)

The humidity/temperature sensor must be installed on the wall of the sauna room above the rear bench seat. A distance of about 15 cm from the ceiling of the cabin must be maintained.

To install the humidity and temperature sensor, perform the following steps:

1. Route the 5-pole sensor cable in the wall of the sauna room to the mounting position of the humidity/temperature sensor and affix the sensor leads using cable clips.
2. Install the humidity/temperature sensor to the wall of the sauna room using the two supplied wood screws (16 mm).

4.6. Installing the foil sensor (optional)

If a sentiotec infrared heat plate is connected to the additional output, foil sensor 1-014-445 / P-ISX-FF must be used.

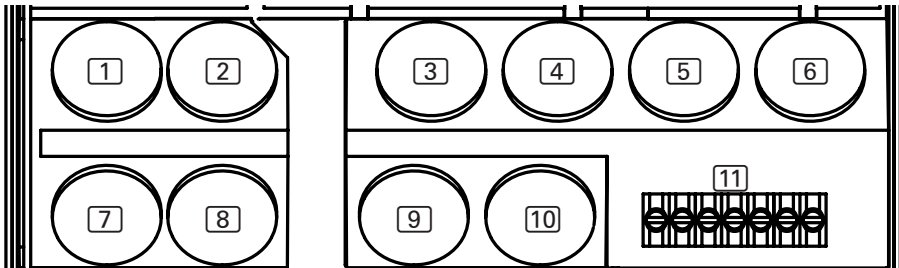
- When installing the foil sensor, observe the operating instructions for the infrared heating plates.
- Use of a foil sensor must be activated on the technician menu.

5. Electrical connection

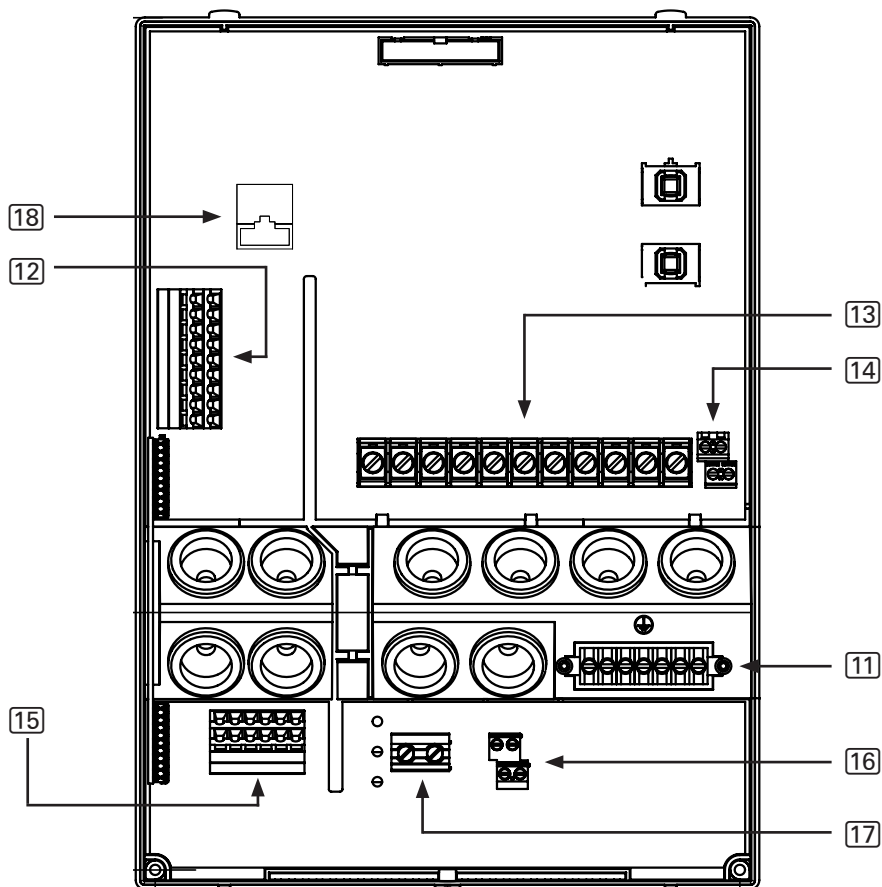
ATTENTION!

Damage to the unit

- The sauna control unit may only be used for operating and controlling 3 heating circuits with a maximum heating capacity of 3.5 kW per heating circuit. The maximum evaporator output totals 3.5 kW. The maximum additional output totals 3.5 kW.



- 1 Cable gland for FTS2 sensor, RS485 BUS line
- 2 Cable gland for F1 sensor, F2 sensor and safety cut-off
- 3 Cable gland for vaporizer cable
- 4 Bushing for heater cable
- 5 Bushing for power supply cable
- 6 Cable gland for light and fan
- 7 Cable gland for loudspeaker cables and DMX cable
- 8 Cable gland for remote start and foil sensor
- 9 Cable gland for additional output
- 10 Cable gland for power booster
- 11 Ground busbar



- 11** Ground busbar
- 12** Terminal strip for safety shut-off and sensor cables
- 13** Terminal strip for cables for heater, vaporizer and power supply
- 14** Terminal strip for lights and fan
- 15** Terminal strip for DMX, loudspeakers, remote start and foil sensor
- 16** Terminal strip for additional output
- 17** Terminal strip for power booster
- 18** BUS interface for RS485 (RJ45)

Observe the following points when connecting the power to the sauna control unit:

- Installation may only be performed by a qualified electrician or similarly qualified person.



Please observe that in the event of a guarantee claim, a copy of the bill from the electrician performing the work must be presented.

- Work on the sauna controller may only be performed when the power has been disconnected.
- There must be a fixed connection for the electrical power supply.
- A fully disconnecting all-pole isolating device compliant with overvoltage category III must be fitted on site.
- Read section “**7. Connection diagram**” on page 28.

5.1. Power supply cable, heater and vaporizer

1. Guide the power supply, heater and vaporizer cable through the cable glands [3], [4], [5] into the connection area for 230 V/400 V.
2. Connect the power supply cables to the terminal strip [13] in accordance with the connection diagram. Follow the operating instructions for each device.

EN

5.2. Cabin light

1. Feed the light cable through the cable gland [6] into the connection area for 230 V/400 V.
2. Connect the light cable to the terminal strip [14] in accordance with the connection diagram. Observe the operating instructions for the respective device.

5.3. Fan

1. Feed the light cable through the cable gland [6] into the connection area for 230 V/400 V.
2. Connect the fan cable to the terminal strip [14] in accordance with the connection diagram. Observe the operating instructions for the respective device.

5.4. F1 heater sensor

1. Guide the wires for the heater sensor through the cable gland **[2]** into the low-voltage connection area.
2. Connect the red lines for the heater sensor to the terminals labelled “**STB**” in terminal strip **[12]**.
3. Connect the white wires for the heater sensor to the terminals labelled “**F1**” in terminal strip **[12]**.

5.5. Bench sensor F2 (optional)

1. Feed the wires for the bench sensor through the cable gland **[2]** into the low-voltage connection area.
2. Connect the wires for the bench sensor to the terminals labelled “**F2**” in terminal strip **[12]**.

5.6. Humidity/temperature sensor FTS2 (optional)

1. Feed the wires for the sensor through the cable gland **[1]** into the low-voltage connection area.
2. Connect the wires for the temperature sensor to the terminals labelled “**F2**” in terminal strip **[12]**.
 - a. Connect the black wire to the right terminal.
 - b. Connect the brown wire to the left terminal.
3. Connect the wires for the humidity sensor to the terminals labelled “**FTS2**” in terminal strip **[12]**.
 - c. Connect the green wire to the terminal “**GREEN**”.
 - d. Connect the orange wire to the terminal “**ORANGE**”.
 - e. Connect the red wire to the terminal “**RED**”.

5.7. Safety shut-off

EN 60335-2-53 states that sauna controllers with a remote control function may only be used for controlling a sauna heater which has satisfied the combustion test in section 19.101. Alternatively, a suitable safety shut-off device can be installed in or above the heater. This shuts the sauna heater off if items such as a towel are placed on the sauna heater.

To install the safety shut-off device, perform the following steps:

1. Install the safety shut-off device in accordance with the operating instructions for the device.
2. Feed the wires for the safety shut-off device through the cable gland **[2]** into the low-voltage connection area.
3. Connect the wires for the temperature sensor to the terminals labelled “**OSG**” in terminal strip **[12]**.



If a safety shut-off is not installed, a jumper must be fitted at the terminals labelled “**OSG**”.

5.8. Auxiliary output

The additional output can, for example, be used for an infrared heater or infrared heat plates.

1. Feed the connection cable for the additional device through the cable gland **[9]** into the connection area for 230 V/400 V.
2. Connect the power supply cables to terminal strip **[16]** in accordance with the terminal diagram. Observe the operating instructions and safety instructions for the respective device.

Please note the maximum connected load of the additional output:

- Dimmable up to a maximum of 500 W
- Switchable up to a maximum of 3500 W

5.9. Foil sensor (optional)

1. Feed the wires for the sensor through the cable gland **[8]** into the low-voltage connection area on the expansion module.
2. Connect the sensor cables for the sensor to the terminals labelled “**FOIL SENSOR**” in terminal strip **[15]**.

5.10. Power booster (optional)

1. Feed the cable for the power booster through cable gland **[10]** into the connection area for 230 V/400 V.
2. Connect the cable for the power booster to terminal strip **[17]** in accordance with the connection diagram. To do so, use terminal “**ST1**” for the safety circuit, and terminal “**ST2**” for the control circuit. Follow the operating instructions for each device.

5.11. Remote start (optional)

This is connected using the terminals “**RS1**”, “**RS2**” and “**24VDC**” on terminal strip **[15]**.

Using a switch or an actuator, the +24 VDC must be switched to the terminal for the desired operating mode, **RS1** or **RS2**.

In the technician menu, RS1 and RS2 can be assigned to any operating mode or user program (see “**10.16. Activating standby for remote operation**” on page 48).

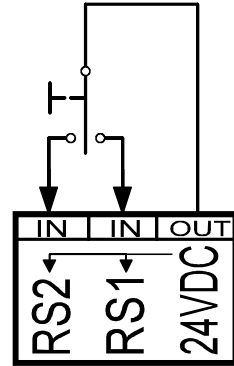


Fig. 6 Remote start

5.12. Speaker output (optional)

The loudspeaker output can be used to connect commercially available loudspeakers with a recommended music load of approx. 25 W. The impedance should be 8 Ω. The minimum cross-section of the speaker cables is 2 x 0.5 mm².

1. Feed the wires for the loudspeaker through the cable gland **[7]** into the low-voltage connection area on the expansion module.
2. Connect the loudspeaker wires to terminal strip **[15]** labelled **RS-** and **RS+** for the right speaker and **LS-** and **LS+** for the left speaker. For an optimal sound experience, observe the polarity of the connecting cables.

5.13. DMX output (optional)

1. Guide the DMX connection cables for the heater sensor through the cable gland **7** into the low-voltage connection area.
2. Connect the DMS connection cables in accordance with the designations on terminal strip **15**.
 - **DMX A** (DATA +)
 - **DMX B** (DATA -)
 - **GND** (ground/shield)

Four different DMX protocols are supported, which are output at the same time on the DMX output:

1. 8-bit RGBW
2. 16-bit RGBW
3. 8-bit hue value saturation (such as for COLLAXX coloured light devices)
4. 8-bit hue saturation value

Use the following address overview to integrate your coloured light unit into the sauna control unit.

RGBW_8BIT

- Start address: Channel 1
 - ▶ Channel light group 1: **1**
 - ▶ Channel light group 2: **5**
 - ▶ Channel light group 3: **9**
 - ▶ Channel light group 4: **13**

RGBW_16BIT

- Start address: Channel 17
 - ▶ Channel light group 1: **17**
 - ▶ Channel light group 2: **25**
 - ▶ Channel light group 3: **33**
 - ▶ Channel light group 4: **41**

COLLAXX (HUE VALUE SATURATION, 8-bit)

- Start address: Channel 49
 - ▶ Channel light group 1: **49**
 - ▶ Channel light group 2: **52**
 - ▶ Channel light group 3: **55**
 - ▶ Channel light group 4: **58**

HSV (HUE SATURATION VALUE, 8-bit)

- Start address: Channel 61
 - ▶ Channel light group 1: **61**
 - ▶ Channel light group 2: **64**
 - ▶ Channel light group 3: **67**
 - ▶ Channel light group 4: **70**

5.14. BUS connection (RS485 interface)

1. Guide the RJ45 data cables through cable gland **[1]** into the low-voltage connection area.
2. Connect the data cable to the RJ45 socket **[18]**.
3. Observe the operating instructions and safety instructions for the respective device (RS485 connection, MySentio WIFI, etc.)

5.15. Finishing the installation

1. Connect the earth conductor for the power supply cable and all devices to the earth bar **[11]**.
2. Place the housing cover on the upper edge and connect the ribbon cable to the lower part of the housing.
3. Press the upper part of the housing downwards and screw in the housing screw with a screwdriver.
4. Finally, insert the two buttons (on/off switch and light switch) into the upper part of the housing until they audibly click into place.

6. Testing



WARNING!

The following tests must be carried out with the power supply switched on. There is a danger of electric shock.

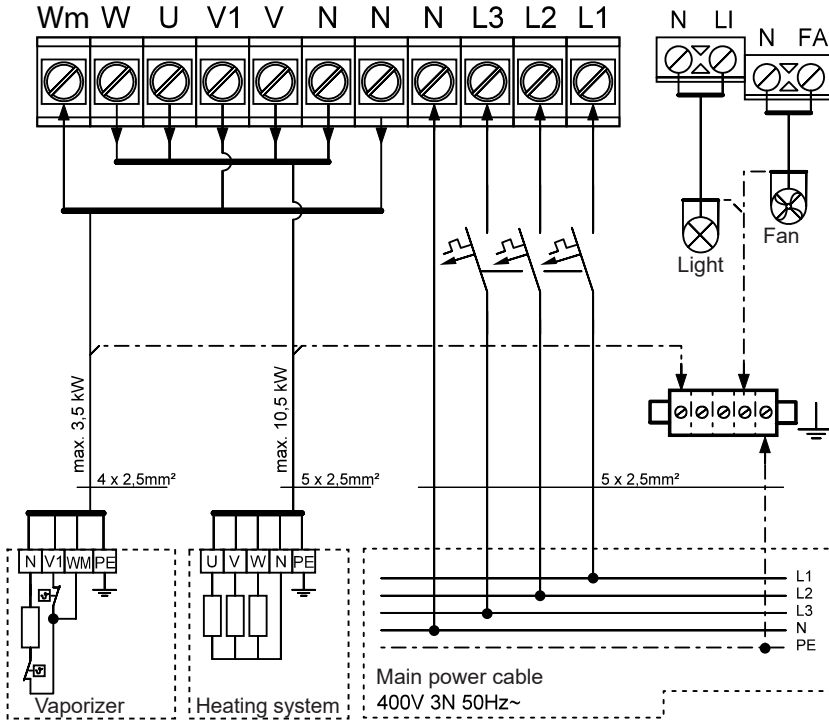
- NEVER touch live parts.

The following tests must be performed by a qualified electrician.

1. Check the contact of the earth conductors on the earth conductor terminal.
2. Check the overheat cut-out on the heater sensor F1.
 - a. Switch on the sauna controller.
 - ▶ If error messages are displayed here, go to step **“14.1. Error messages” on page 55.**
 - b. Open the heater sensor and disconnect one of the two red heater sensor wires.
 - ▶ A recurring warning tone sounds, and “Error *01” appears on the display.
 - ▶ The controller switches off the heater.
 - c. Switch off the sauna control unit.
 - d. Reconnect the red heater sensor wire.
 - e. Now disconnect one of the white heater sensor wires.
 - f. Switch on the sauna controller.
 - ▶ A recurring warning tone sounds, and “Error *04F1” appears on the display.
 - ▶ The controller switches off the heater.
 - g. Switch off the sauna control unit.
 - h. Reconnect the white heater sensor wire.
3. Check the phase switching for sauna mode L1, L2, L3 to U, V, W and the maximum permissible heating power of 3.5 kW per phase.
4. Only when using an vaporizer: Check that the phase circuit for evaporator mode L1, L2, L3 is connected to U, V1, W.
5. Ensure the phase circuit for L3 is connected to AUX when the device connected to the additional output is activated.

7. Connection diagram

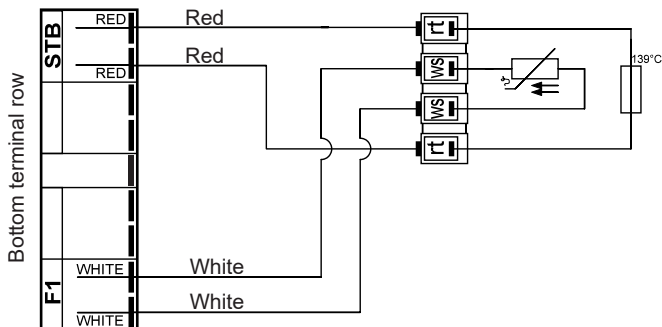
7.1. Connection diagram basic module 230 V / 400 V



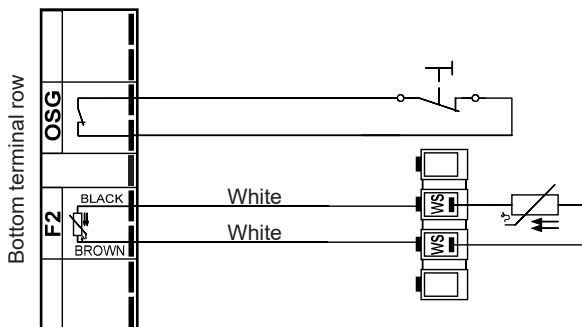
Recommended protective equipment for power cable:	
Power cable fuse:	3 x 20 A (CAT III)
FI (residual current device):	30 mA

7.2. Connection diagram for basic module low voltage

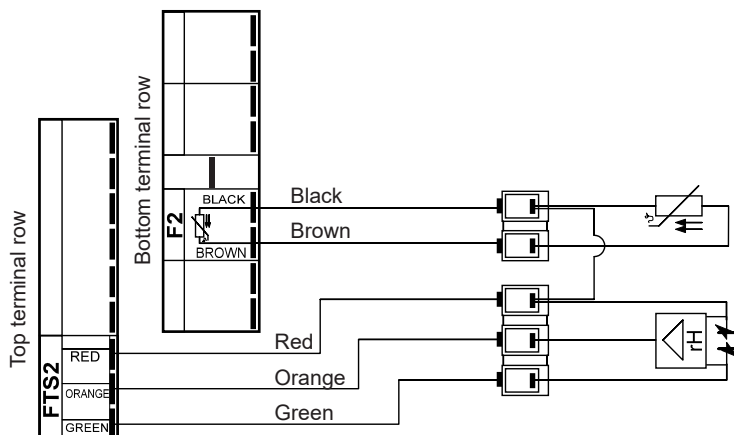
Connection of heater sensor F1:



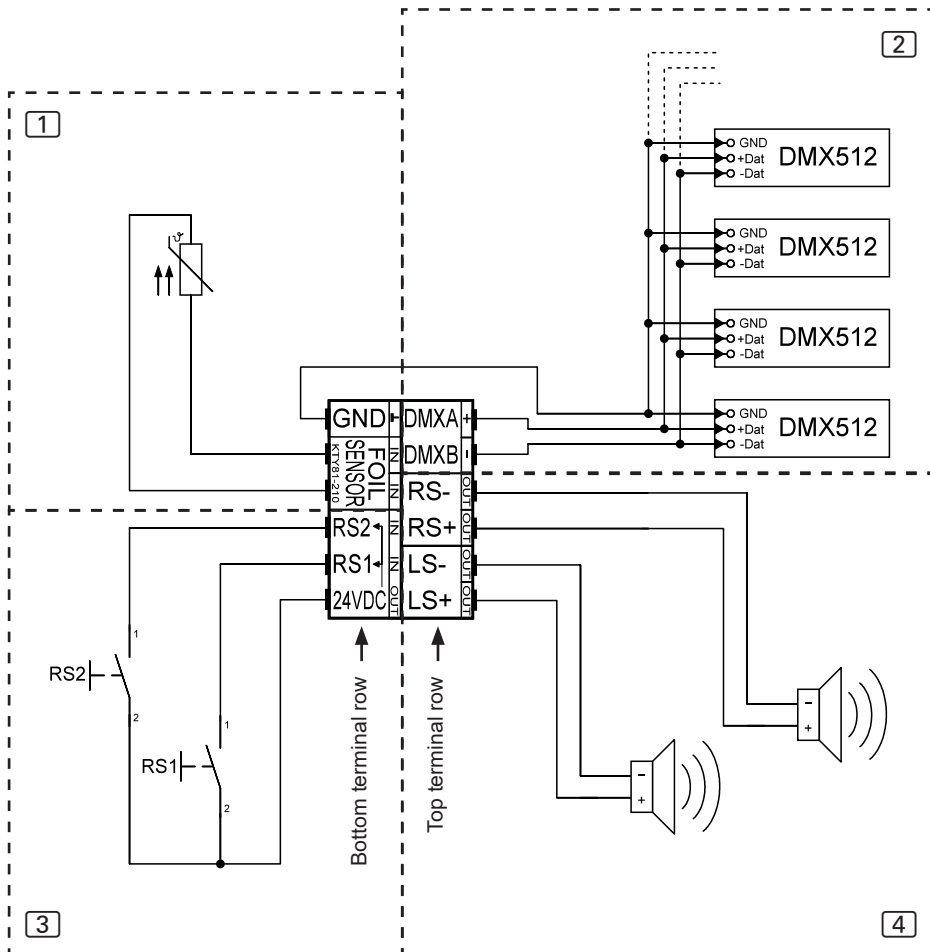
Connection of bench sensor F2 and safety shut-off OSG:



Connection of humidity/temperature sensor FTS2:

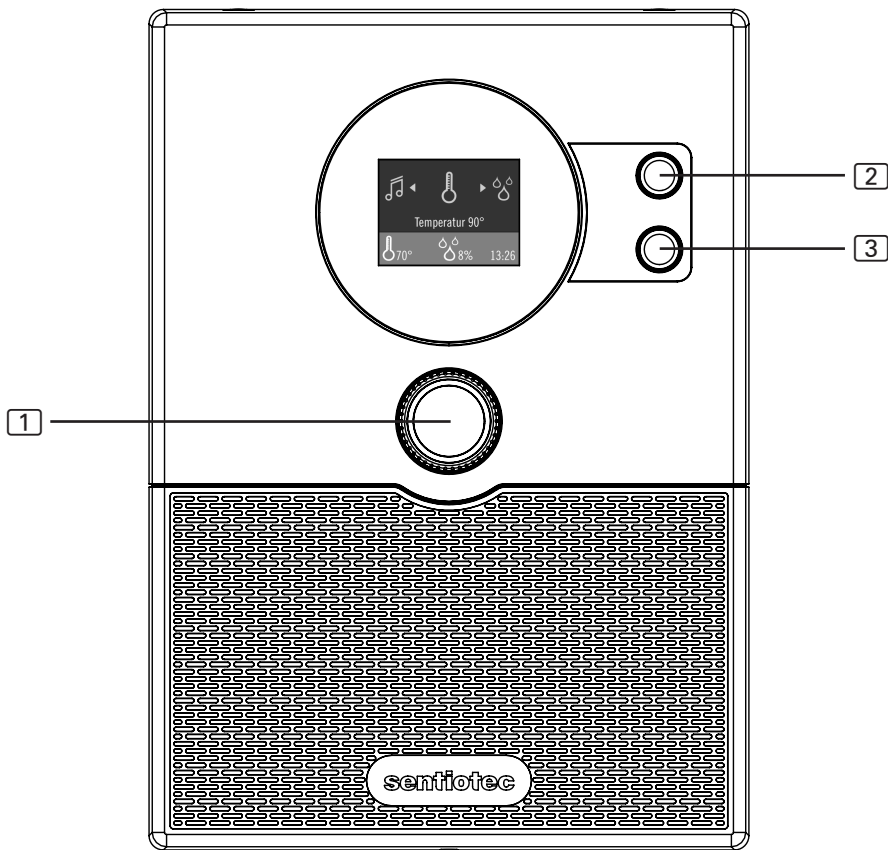


7.4. Connection diagram for expansion module low voltage



- 1** Foil sensor connection
- 2** DMX connection
- 3** Remote start connection
- 4** Loudspeaker connection

8. Controls



- 1 Rotary selector (rotary and pushbutton for menu operation)
- 2 Main switch (for switching the sauna control unit on and off)
- 3 Light switch (for switching the cabin light on and off)

9. Commissioning

9.1. Technician menu

The sauna control unit home.com4 has a technician menu separate from the main menu, in which all the basic settings can be made.

The technician menu is only available in English.

To access the technician menu, perform the following steps:

1. Switch off the sauna control unit.
2. Hold down rotary selector **1** and switch on the sauna control unit with main switch **2**.
 - ▶ The display shows the technician menu with the available menu items.

Menu navigation

To navigate through the menu, use rotary selector **1**.

- Turn the rotary selector to the right to scroll down the menu.
- Turn rotary selector to the left to scroll up in the menu.
- To select a menu item, press the rotary selector.
 - ▶ The setting of the respective menu item is highlighted in green and can now be changed.
- Turn down or up to see the available setting options.
 - ▶ To confirm the selection, press the rotary selector.



EN 60335-2-53 specifies a maximum heating time limit of 6 hours for private saunas. For saunas in hotels, apartment blocks and similar locations, a maximum heating time limit of 12 hours is permissible. Extending the heating period limit to 18 hours or 24 hours is only permitted in public saunas.

Menu item	Description	Setting options
Language	Menu language setting	German, English, Swedish, French, Slovenian, Spanish, Estonian, Finnish, Italian, Dutch, Polish, Russian, Czech
Time	Time setting	hh:mm
Year	Year setting	Example: 2017
Month	Month setting	Example: July
Day	Day setting	Example: 17th
Weekday	Day of the week setting	Example: Monday
Heating time limit	Maximum heating time limit	6 / 12 / 18 / 24 hours
Heater sensor offset	Calibration of heater sensor in °C	-10 to +10
Bench sensor offset	Calibration of bench sensor in °C	-10 to +10
Humidity offset	Calibration of humidity in %	-10 to +10
Maximum temperature	Definition of the maximum adjustable setpoint temperature	40–110 °C
Bench sensor	Activate/deactivate two sensor operation	On/Off
Phase alignment	Activate/deactivate phase alignment	On/Off
Vaporizer	Activate/deactivate or enable single operation for evaporator	Off/Normal/Single
Foil sensor	Activate or deactivate the foil sensor	Yes / No
Aux mode	Dim additional output up to 500 W switch additional output up to 3500 W	Dimmable switchable
Mode RS1	Start mode of remote start input RS1 RS = Remote Start	Finnish / combi, user programs 1–5
Mode RS2	Start mode of remote start input RS2 RS = Remote Start	Finnish / combi, user programs 1–5
Remote enabling	Remote start release	Internal/external
Drying time	Duration of the automatic post-drying program (80 °C and fan)	0–60 min

<i>Menu item</i>	<i>Description</i>	<i>Setting options</i>
Preheat time vaporizer	Regulator-independent preheating time of the vaporizer (only without FTS2 sensor)	0–20 min
Colorlight	Colour settings Colour gradients DMX radio transmission synchronisation Individual colour settings for the basiccolours: Red, yellow, green, turquoise, blue, purple, white	<u>Colour proportions:</u> Red: 0–100% Green: 0–100% Blue: 0–100% White: 0–100%
- Gradient	Configure colour gradients 1–4 individually Activate/deactivate individual base colours in the gradient The order of the colour gradients cannot be changed	Red: On/Off Yellow: On/Off Green: On/Off Turquoise: On/Off Blue: On/Off Purple: On/Off White: On/Off
- Duration	Setting of the colour duration of individual colours	[Sec]
- Transition time	Setting of the transition time between the colours	[Sec]
- Synchronise	Synchronise DMX channel (for radio link)	Channel: 0–512
Software version	Display software version	
Hardware version	Display hardware version	
Cycles	Display number of relay switching operations	
Buzzer	Activate/deactivate the acoustic signal	On/Off
Button sounds	Active/deactivate the key tone	On/Off
Secure pairing music	Confirmation of registration required	On/Off
Secure pairing app	Confirmation of registration required	On/Off
Bluetooth PIN		
Bluetooth ID		
Delete paired devices	Reset all connected devices	Start
Factory reset	Reset to factory settings	Start
Exit	All settings are saved and the technician menu is exited	Start



10. Operation

Observe “8. Controls” on page 32.

10.1. Switching on the light (cleaning lights)

The light in the sauna room can be switched on and off at the control unit independently of the On/Off switch [2].

- To switch the light on the control unit on or off, press the light switch [3].

10.2. Switching on the control unit



WARNING!

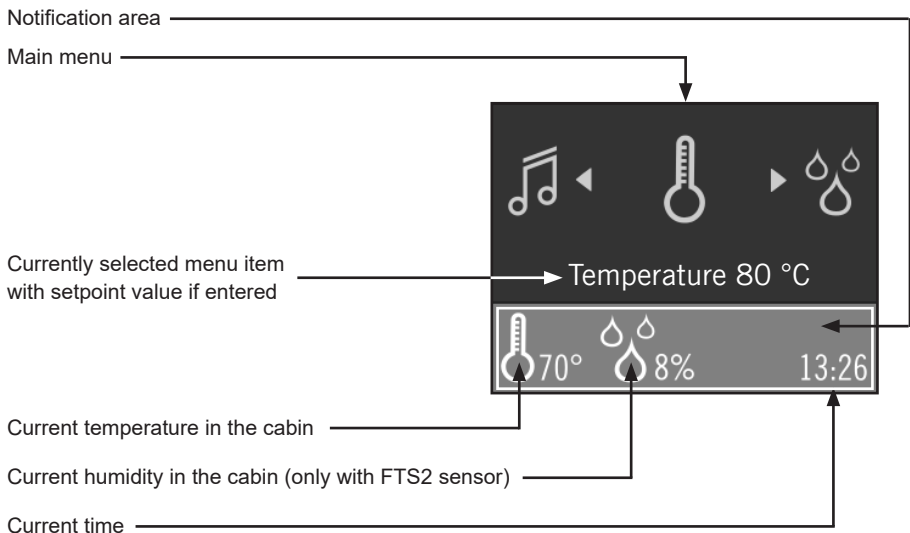
Risk of fire

Flammable objects that are placed on the sauna heater could ignite and cause fires.

- NEVER place combustible objects on the sauna heater.
- Make sure that NO flammable objects have been placed on the sauna heater before the sauna control unit is switched on.

- Press the On/Off button [2] to switch the control unit on.
 - ▶ The “User programs” menu item appears on the display by default upon switch-on.

Display elements:





10.3. Sauna mode

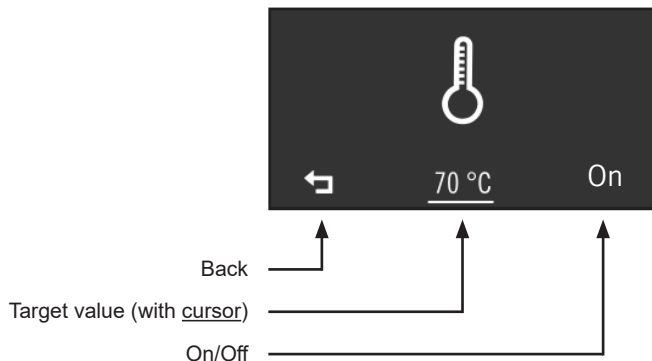
Starting sauna mode

1. Use rotary selector 1 to select the temperature icon. Then press it briefly to confirm.
 - ▶ The “Temperature” submenu opens and the setpoint value for the temperature appears underlined in the display.
2. Press rotary selector to change the value.
 - ▶ The value is now highlighted in green and can be changed.
 - ▶ Press the rotary selector again to confirm the setting.
3. Move the cursor (underscore) to the right to “On” and briefly press the rotary selector.
 - ▶ The sauna heater is switched on and begins to heat up.
 - ▶ The colour of the temperature icon in the notification area changes to red.
 - ▶ You automatically exit the “Temperature” menu item.

Switching off sauna mode

4. To switch off the heater, repeat items 1 and 3.
 - ▶ Instead of “On”, “Off” is displayed.
 - ▶ To exit the submenu, move the cursor to the “Back” icon on the left and confirm with the rotary selector.

View of temperature submenu





10.4. Combi-mode

Starting combi-mode

1. Use rotary selector **1** to select the temperature icon. Then press it briefly to confirm.
 - ▶ The “Humidity” submenu opens and the setpoint value for the humidity appears underlined in the display.
2. Press rotary selector to change the value.
 - ▶ The value is now highlighted in green and can be changed.
 - ▶ Press the rotary selector again to confirm the setting.
3. Move the cursor (underscore) to the right to “On” and briefly press the rotary selector.
 - ▶ The vaporizer is switched on and begins to heat up.
 - ▶ The colour of the humidity icon in the notification area changes to blue.
 - ▶ You automatically exit the “Humidity” menu item.

Switching off combi-mode

4. To switch off the vaporizer, repeat points 1 and 3.
 - ▶ Instead of “On”, “Off” is displayed.
 - ▶ To exit the submenu, move the cursor to the “Back” icon on the left and confirm with the rotary selector.
 - ▶ The vaporizer switches off.

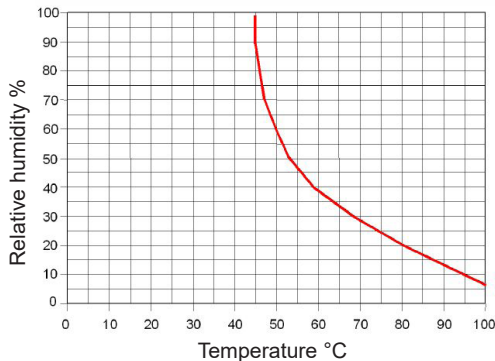


The vaporizer can only be started when the sauna heater is switched on. The maximum humidity that can be set depends on the temperature of the sauna. The higher the sauna temperature, the lower the maximum humidity level which can be set (see characteristic curve).

Exception: Vaporizer single mode is activated (see “**9.1. Technician menu**” on page 33). The vaporizer can also be operated here without the sauna heater, with the maximum humidity depending on the current sauna room temperature.



If the sauna control unit is used without a humidity/temperature sensor (FTS2), cyclic mode is activated. If the sauna room temperature is less than 30 °C, the vaporizer is activated continuously for a preset time (10 minutes by default). Normal cyclic mode then starts.



EN 60335-2-53:2011; characteristic temperature / relative humidity for proper use.

10.5. Post-drying program



After operation in combined mode, the post-drying program starts automatically to prevent mould or rot from forming in the sauna cabin. This involves heating the sauna room to 80 °C with the fan running for 30 minutes.

- ▶ To cancel the post-drying program, press rotary selector **1** while simultaneously turning it to the right.



To prevent mould and rot from forming, the post-drying programme should NOT be stopped.

EN



10.6. Cabin light

Switching on cabin light

1. Use rotary selector **1** to select the light icon. Then press briefly to switch on the cabin light.
 - ▶ The cabin light switches on.
 - ▶ “Light On” appears on the display.

Switching off cabin light

2. To switch off the cabin light, press rotary selector **1** again.
 - ▶ The cabin light switches off.
 - ▶ “Light Off” appears on the display.



10.7. Fan

Switching on fan

3. Use rotary selector **[1]** to select the fan icon. Then press briefly to switch on the fan.
 - ▶ The fan switches on.
 - ▶ “Fan On” appears on the display.

Switching off fan

4. To switch off the fan, press rotary selector **[1]** again.
 - ▶ The fan switches off.
 - ▶ “Fan Off” appears on the display.



10.8. Preset time

Setting the preset time

You can set the preset time to the minute. The maximum preset time totals 6 hours.

1. Start the functions to be started after the preset time.
2. Use rotary selector **[1]** to select the preset time icon. Then press briefly to open the submenu.
 - ▶ The “Preset time” submenu opens and the last preset time appears underlined on the display.
3. Press rotary selector to change the value.
 - ▶ The value is now highlighted in green and can be changed.
 - ▶ The display is in hh:mm.
 - ▶ Press the rotary selector again to confirm the setting.
4. Move the cursor (underscore) to the right to “Start” and briefly press the rotary selector.
 - ▶ All previously activated functions are switched off.
 - ▶ The remaining pre-selection time appears on the display.
 - ▶ Rotary selector **[1]** starts to flash slowly.
 - ▶ Once the preset time has elapsed, the selected functions are started.



Cancelling the preset time feature

To cancel the preset time feature, press rotary selector **1** while simultaneously turning it to the right.

- ▶ The preset time function is cancelled.



For security reasons, the operation is blocked during an active preset time. To make changes to the settings, cancel the preset time function and then start it again.

.. **10.9. Operating time**

In the technician menu of the sauna control unit you can now specify how long the sauna should be in continuous operation (such as 6 h for private saunas).

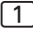


1. To refine this setting, use rotary selector **1** to select the runtime icon. Then press briefly to open the submenu.
 - ▶ The “Runtime” submenu opens and the last runtime set appears underlined on the display.
2. Press rotary selector to change the value.
 - ▶ The value is now highlighted in green and can be changed.
 - ▶ The display is in hh:mm.
 - ▶ Press the rotary selector again to confirm the setting.
 - ▶ The set value is saved permanently.
3. To exit the submenu, move the cursor to the “Back” icon on the left and confirm with the rotary selector.

10.10. ECO mode

The ECO function allows you to save energy in breaks between sauna sessions. When the ECO function is activated, the connected devices run with reduced power. You can choose between a 20, 40 or 60-minute sauna break.

The sauna heater and the vaporizer are switched on again before the end of the break. In this way the preset temperature and preset humidity are reached again at the end of the sauna break.

Perform the following steps to activate the Eco-function:

1. Use rotary selector  to select the ECO icon. Then press briefly to open the submenu.
 - ▶ The “ECO mode” submenu opens and the last break time set appears underlined on the display.
2. Press rotary selector to change the break time.
 - ▶ The value is now highlighted in green and can be changed.
 - ▶ The display is in minutes.
3. There are three different break times available:
 - 20-minute sauna break
 - 40-minute sauna break
 - 60-minute sauna break
 - ▶ Press the rotary selector again to confirm the setting.
4. Move the cursor (underscore) to the right to “Start” and briefly press the rotary selector.
 - ▶ The sauna break is started.
 - ▶ The remaining break time appears on the display.
 - ▶ Rotary selector  starts to flash slowly.
5. To cancel the sauna break, press rotary selector  and simultaneously turn it to the right.



10.11. Weekly timer

The weekly timer allows you to automatically switch the sauna control unit on and off at specific times, on certain days of the week and with any operating mode. Up to 14 independent On/Off operations can be programmed. Manual operation of the sauna control unit is unrestricted during this time.

Follow these steps to create a weekly timer program:

1. Use rotary selector **[1]** to select the weekly timer icon. Then press briefly to open the submenu.
 - ▶ The “Weekly timer” submenu opens and the following menu items appear on the display:
 - Timer no. [1–14]
 - ▶ You can assign any timer number from 1 to 14 to each On/Off cycle.
 - Days of the week [Mon–Sun]
 - ▶ Here you can set the days of the week on which the current program is to be executed. Every day from Monday to Sunday is available individually, along with groups of Monday to Sunday, Monday to Friday and Saturday to Sunday.
 - Start time [00:00–23:59]
 - ▶ Here you set the time at which the program is to start.
 - End time [00:00–23:59]
 - ▶ Here you set the time at which the program is to switch off.



The maximum runtime set in the technician menu limits the time between switch-on and switch-off. If necessary, correct the setting for the maximum runtime in the technician menu.



- User programs [Finnish, combi, 1–5]
 - ▶ Select the operating mode to be started. You can choose between Finnish sauna (heating only), combination sauna (heating + vaporizer) or one of the five programmable user programs.
 - Activated [On/Off]
 - ▶ Activate or deactivate individual On/Off operations.
2. Exit the weekly timer menu to activate the programs:
- ▶ The notification area of the display shows the weekly timer icon.
 - ▶ Rotary selector 1 starts to flash slowly.



If the mode “Standby for remote control” is started, all weekly timer programs are deactivated while this mode is active. If you exit the mode “Standby for remote control”, all previously activated programs become active again.



Main switch 2 must remain switched on for the weekly timer to work.



10.12. Child safety control

The sauna control unit is equipped with a child safety control which prevents children from being able to switch on the sauna heater unintentionally and unattended.

- To activate the child safety control, use rotary selector 1 to select the child safety control icon. Then press briefly to activate the child safety control.
 - ▶ The icon for child safety control appears on the display and the operation of the sauna control unit is blocked.
- To deactivate the child safety control, press rotary selector 1 and at the same time turn it to the right.



10.13. All Off

To switch off all switched-on functions and consumers (including DMX coloured light) at once, use rotary selector [1] to select the All Off icon. Then press it briefly to deactivate all functions. Settings in regard to the weekly timer are retained.



If you use a DMX coloured light device, it is recommended to use the All Off function after each sauna session, because even after switching off via main switch [2], some DMX coloured light devices can continue to run.



10.14. User programs

The user programs enable favourite sauna settings to be saved and accessed again. There are 5 preset user programs available which can be modified according to user requirements.

The settings of the following functions are stored in the user programs:

- Temperature
- Humidity
- Auxiliary output
- Light
- Fan
- Coloured light

Preset user programs:

The following user programs are already predefined:

User program	Temperature °C	Humidity* %	Light	AUX
1	90	0	On	Off
2	70	0	On	Off
3	50	60	On	Off
4	60	35	On	Off
5	0	0	On	7

* only with active vaporizer

***Accessing user program:***

3. Use rotary selector **1** to select the user programs icon. Then press briefly to open the submenu.
 - ▶ The “User programs” submenu opens and the display shows the last user program underlined.
4. Press the rotary knob again to use another user program.
 - ▶ The value is now highlighted in green and can be changed.
 - ▶ There are five user programs available [1–5]
 - ▶ Press the rotary selector again to confirm the setting.
5. Move the cursor (underscore) to the right to “Start” and briefly press the rotary selector.
 - ▶ The user program is started.

***Creating your own user programs:***

You can create user programs as you would like. A preset user program is overwritten in the process. Perform the following steps:

1. Start all functions that are to be switched on with the user program.
2. Use rotary selector **1** to select the user programs icon. Then press briefly to open the submenu.
3. Move the cursor (underscore) to the left to “Save” and briefly press the rotary selector.
 - ▶ The settings are stored in the selected user program.
 - ▶ To switch off user programs, use the All Off function.



10.15. Additional output

Infrared heaters or infrared heat plates, for example, can be connected to the additional output on the sauna control unit.

Intensity regulation when the dimmer switch function is activated

When the dimmer switch function for the additional output is activated, the power for the additional device can be set on a scale of 1 to 7. The value of 7 corresponds to full power.

1. Use rotary selector **[1]** to select the additional output icon. Then press it briefly to confirm.
 - ▶ The “Additional output” submenu opens and the display shows the set intensity value for the additional output underlined.
2. Press rotary selector to change the value.
 - ▶ The value is now highlighted in green and can be changed.
 - ▶ Press the rotary selector again to confirm the setting.
3. Move the cursor (underscore) to the right to “On” and briefly press the rotary selector.
 - ▶ The additional output switches on.
 - ▶ The additional output icon appears in the notification area of the display.



Switching off additional output

4. To switch off the additional output, repeat items 1 and 3.
 - ▶ Instead of “On”, “Off” is displayed.
 - ▶ To exit the submenu, move the cursor to the “Back” icon on the left and confirm with the rotary selector.

***Intensity regulation when the dimmer switch function is deactivated***

When the dimmer switch function for the additional output has been deactivated, you can only switch the additional device on and off. The unit will always operate at full power.

- Use rotary selector **1** to select the additional output icon. Then press briefly to switch the additional output on or off.
 - ▶ The additional output icon appears in the notification area of the display.

**10.16. Activating standby for remote operation**

EN 60335-2-53 specifies that sauna control units with a remote start function must be set manually to “Standby for remote operation” mode. This activation must take place again after each remote start and stop procedure.

Starting standby for remote operation:

- Use rotary selector **1** to select the remote start icon. Then press it briefly to start the operating mode “Standby for remote operation”.
 - ▶ The sauna control unit switches off all previously activated functions and the remote start icon appears on the display.
 - ▶ The sauna control unit is then ready to be started and stopped using a remote start signal. It is not possible to manually operate the sauna control unit at the same time.
 - ▶ After a remote start and stop, the remote start icon goes out and the mode has to be activated again.

Cancelling standby for remote operation:

- To deactivate standby for remote control, press rotary selector **1** and at the same time turn it to the right.



10.17. Coloured light

Starting coloured light:

- Use the rotary selector **[1]** to select the coloured light icon. Then press briefly to open the submenu.
 - ▶ The “Coloured light” submenu opens and the following menu items appear on the display:
- Light group [1–4]
 - ▶ Four lighting groups with different settings can be configured and operated. For example, the rear bench illumination runs on light group 1, the ceiling coloured light on light group 2, etc.
- Light mode
 - ▶ Select the colour or gradient of the selected light group.
- Intensity [0–100%]
 - ▶ Select the intensity of the selected light group.
- Status [On/Off]
 - ▶ Activate or deactivate the selected lighting group.
 - ▶ If a light group has been activated, the coloured light icon appears in the notification area of the display.

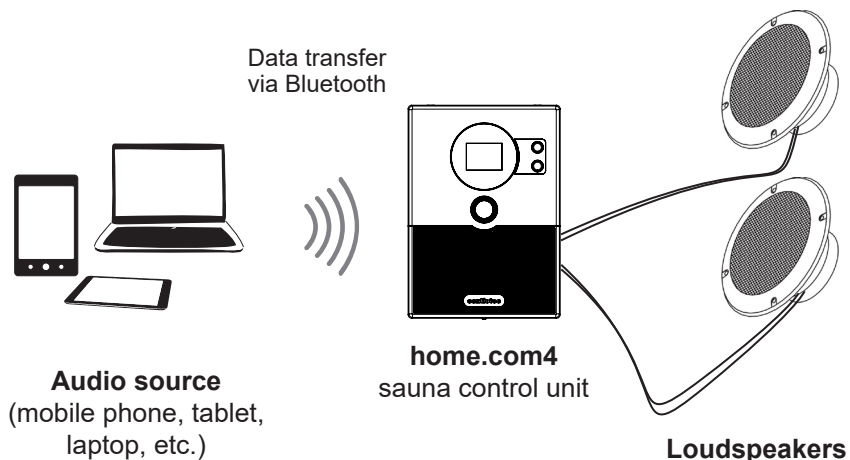


To switch off all coloured light groups, it is best to use the All Off function.



10.18. Music

The music player of the sauna control unit allows you to play music in the sauna. The music is transmitted via a Bluetooth connection from a Bluetooth-enabled device (= audio source) to the sauna control unit. All Bluetooth-enabled devices, such as most mobile phones, tablets, notebooks, etc., can be used as an audio source. The amplifier is already integrated in the sauna control unit.



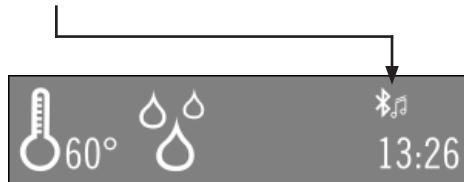
Establishing a connection for the first time (pairing)

1. Turn on the audio source (mobile phone, tablet, etc).
2. Switch on the sauna controller.
3. Turn on the Bluetooth function of the audio source.
 - ▶ Most devices automatically search for and display other Bluetooth devices in the area.
 - ▶ The sauna control unit will be displayed on the audio source labelled "home.com4 XXXX".
 - ▶ XXXX is a sauna control unit-dependent identification number (such as F39D)
 - ▶ If you are asked for a password, use "0000".



If your audio source does not automatically search for Bluetooth devices in the area, start the search manually by selecting “Search for devices” or a similarly named function.

4. Choose “home.com4” from the device list displayed on the audio source.
 - ▶ The Bluetooth connection between the audio source and sauna control unit is established for the first time (= pairing).
 - ▶ The wave.com4 sound is connected and ready for use when the Bluetooth icon appears in the notification area of the display.



5. Play music with the audio player of your audio source.
 - ▶ The music is output through the speakers connected to the sauna control unit.

EN



Making or receiving a call during music playback

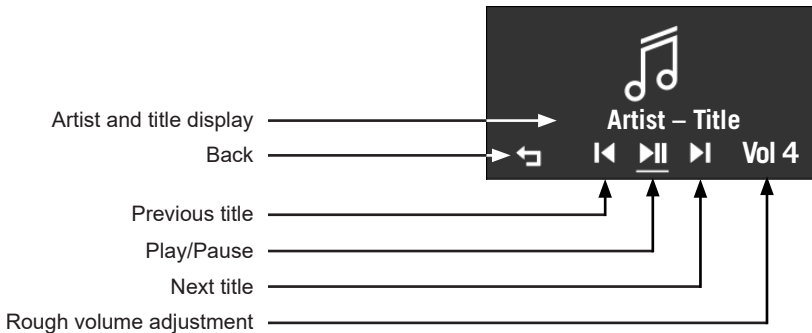
If you dial a number or receive a call, the music will automatically pause and resume again after the phone call.

Since the sauna control unit does not have a microphone, you have to switch the sound to your mobile phone. Follow the operating instructions for your device.



Operating music via sauna control unit:

- Use the rotary selector **1** to select the music icon. Then press briefly to open the submenu.
 - ▶ The “Music” menu opens and in the display the control panels shown below appear:
 - The **Artist and title display** shows information about the piece of music currently being played. If there is no audio source connected via Bluetooth, “not connected” will be displayed.
 - Select **back** to exit the music menu.
If a piece of music is currently playing, it will continue to play in the background.
 - Select **Previous title** to jump back one title in the playlist.
 - Press **Play/Pause** to start or pause the music playback.
 - Select **Next title** to jump forward one title in the playlist.
 - **Rough volume adjustment** can be done in four steps on the sauna control unit. Fine adjustments are made at the audio source.



10.19. BUS connection (RS485 interface)

- When connected to the MySentio app, use the controls of the app.
- When connecting to your home bus system, use the commands in the RS485 interface documentation.

11. Bluetooth app

All primary features of the sauna control unit “home.com4” can be operated and controlled using the Bluetooth app.

To do this, download the “home.com4” app from the App Store. The app is available for iOS and Android at no charge.

Depending on the device, the range is up to 30 m in open areas. The app can be operated and the music can be streamed from the same device.

To connect to the home.com4 control unit, enable Bluetooth on your device and launch the “home.com4” app.

There is an automatic search for available “home.com4” devices.



home.com4 icon



Apple / iOS



Android

EN



WARNING!

Risk of fire

Use the app only if you are within sight of the sauna heater and can make sure that there are NO flammable objects on the sauna heater!

11.1. Secure pairing Bluetooth

To prevent unauthorised access via Bluetooth, the functions can be activated separately in the technician menu (page 35).

If the “Secure pairing app” and/or “Secure pairing music” function is activated, an acknowledgement (pressing the rotary control) is required on the control unit when the connection is established for the first time. The request for this appears in the display of the control unit. If the connection was successfully acknowledged, the connection is established and the device ID is permanently stored in the control unit. A new acknowledgement is therefore not necessary with this device.

If necessary, all stored connections/devices can be removed in the technician menu under the item “Delete paired devices”.

12. Cleaning and maintenance

12.1. Cleaning

ATTENTION!

Damage to the unit

The sauna controller is resistant to splashing water, but direct contact with water could still damage it.

- NEVER immerse the device in water.
 - Do not pour water over the device.
 - Do not get the device too wet when cleaning it.
-

1. Soak a cleaning cloth in a mild, soapy water.
2. Wring out the cloth well.
3. Carefully wipe the housing of the sauna controller.

12.2. Maintenance

The sauna controller does not require any maintenance.

13. Disposal



- Dispose of packaging materials in accordance with the applicable waste disposal regulations.
- Used devices contain reusable materials as well as hazardous substances. Therefore, do not dispose of your used device with household waste, but do so in accordance with the locally applicable regulations.


14. Troubleshooting



14.1. Error messages

The sauna controller is equipped with diagnostic software which monitors system statuses when it is switched on and during operation. As soon as the diagnostic software identifies an error, the sauna controller switches off the sauna heater.

Errors are shown on the display as error numbers. In addition, a recurring warning tone is sounded.

Switch the sauna control unit off using the On/Off switch  and rectify the error before switching the sauna control unit on again.

The table on the next page describes the possible errors and their causes. If necessary, quote the error number to your customer service specialist.

If several errors occur at the same time, the error numbers are separated by a *.

14.2. Low-water display



EN

The sauna control unit features an automatic low-water shutdown feature in combi-mode, providing your combi-heater supports it.

If the water tank of the vaporizer is empty, this is signalled by a recurring warning tone, the icon for humidity and the text “**Refill water**” on the display. The vaporizer switches off at the same time.

- Pour water into the water tank in the vaporizer.
 - ▶ After a short period, the warning stops and the vaporizer starts heating up again.



A few seconds may elapse between filling of the vaporizer and the warning stopping, since detection takes place with temperature switches in the vaporizer.

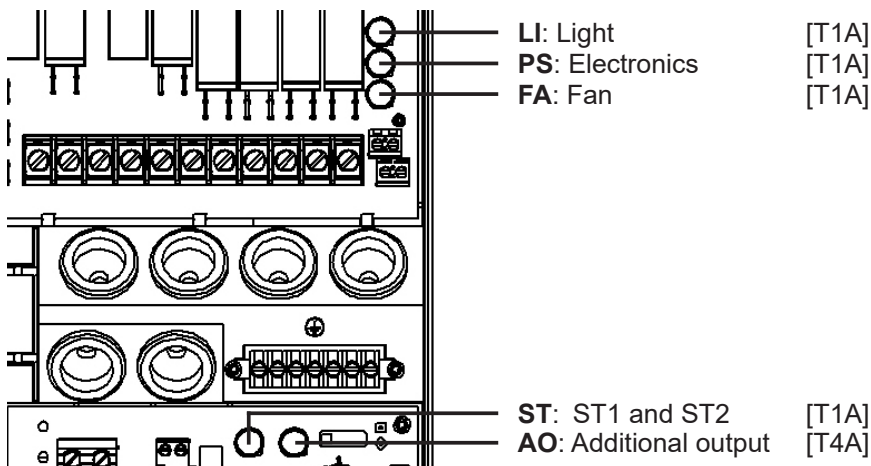
Error	Description	Cause/remedy
*01	Safety shut-off	<p>An object has been placed on the sauna heater. Remove any objects before starting up the sauna heater again.</p> <p>If no safety cut-out is fitted, note "5.7. Safety shut-off" on page 23.</p>
*02	Overheat cut-out	<p>The maximum temperature of 139 °C has been exceeded above the heater. Check the overheat cut-out (STB).</p>
*04F1	Heater sensor error	<p>Defective heater sensor, poor contact or short circuit. Check the sauna sensor (F1).</p>
*05	Foil sensor error	<p>Defective foil sensor, poor contact or short circuit. Check the foil sensor (FF).</p>
*06F2	Bench sensor error	<p>Defective bench sensor, poor contact or short circuit. Check the bench sensor (F2).</p>
*07	Humidity sensor error	<p>Defective humidity sensor, poor contact or short circuit. Check the humidity sensor (FTS2).</p>
*08	Foil sensor excess temperature	<p>The maximum foil temperature of 100 °C was exceeded. Switch off the auxiliary output.</p>

Other errors	Cause/remedy
No function	<p>Check supply line L1 and fuse PS.</p> <ul style="list-style-type: none"> ● Bank sensor not activated in the technician menu (if available) ● Sauna heater power too low/sauna room volume too large ● Check supply and exhaust air ● Check power consumption of U, V and W.
Coloured light continues to run even though the control unit is switched off	<p>Use the “All Off” function to turn off the coloured light.</p>
Additional output cannot be dimmed	<p>Activate dimming function in the technician menu (dimmable)</p>
Operating mode switches off for no apparent reason	<p>Check the setting of the runtime</p>
Remote start does not respond	<ul style="list-style-type: none"> ● Control unit must be in operating mode “Standby for remote control” (see “10.16. Activating standby for remote operation” on page 48) ● Check the wiring of RS1 and RS2.
Time always starts at 00:00.	<p>Battery discharged (see “Battery” on page 58)</p>

14.3. Fuses

In the connection area of the sauna control unit, there are fuses for light, fan, power booster, additional output and electronics.

These are time-delay micro fuses. They can be ordered using the item number PRO-FUSE. In order to replace the fuse, pull the fuse link straight out and insert the new fuse.



14.4. Battery

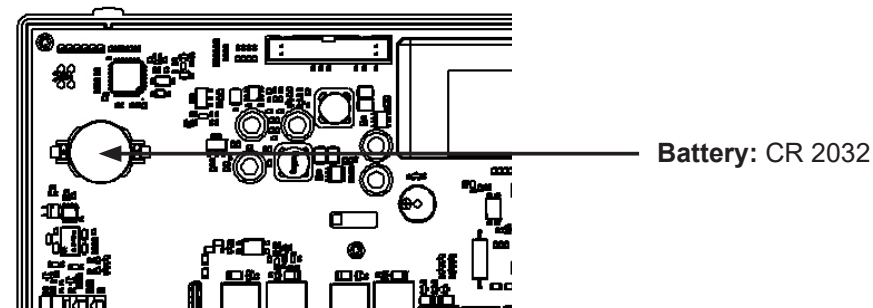
To keep the clock and date settings from being lost in the event of a power failure, there is a battery in the basic module. This may need to be replaced if the clock no longer runs correctly.



WARNING!

Electric shock

Before opening the housing cover, disconnect all poles of the sauna control unit and secure against reconnection.



15. Technical data

Ambient conditions

Storage temperature:	-25 °C to +70 °C
Ambient temperature:	-10 °C to +40 °C
Air humidity:	max. 95%

Sauna controller

Dimensions (W × H × D):	210 x 294 x 53
Voltage rating/three-phase 3N:	400 V AC
Frequency:	50 Hz
Standby power consumption:	8 W
Power rating/heater:	3 × 3.5 kW
Current rating per phase/heater:	16 A
Switching capacity/vaporizer:	3.5 kW
Switched current/vaporizer:	16 A
Switching capacity/additional output (dimmmable)*	500 W
Switching capacity/additional output (switchable)*	3.5 W
Switched current/additional output*:	16 A
Rated voltage:	230 V
Protection class (protected against splashing water):	IPX4
Connection to the mains supply as fixed wiring (fixed connection)	

Light

Power rating:	100 W
Fuse:	1 A T

Fan

Power rating:	100 W
Fuse:	1 A T

Setting ranges

Temperature:	30 °C to 110 °C
Humidity:	0% to 100%

The maximum humidity that can be set depends on the temperature of the sauna. The higher the sauna temperature, the lower the maximum humidity level which can be set.

Thermal safety

Heater sensor with overheat cut-out (139 °C cut-out temperature)

Adjustable automatic heating period (6 h, 12 h, 18 h, 24 h)*

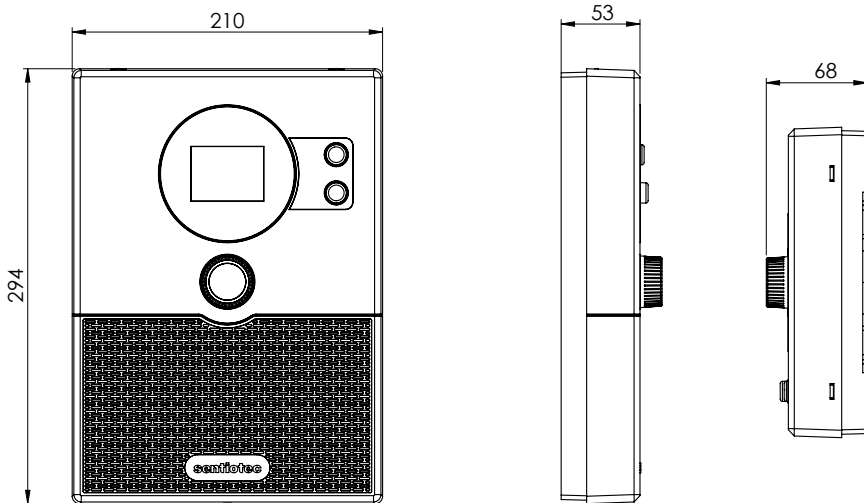
Optional single-sensor mode or two-sensor mode

Connection cables

Power supply cable:	min. 5 × 2.5 mm ²
Heater supply cable (temperature-resistant up to 150 °C):	min. 2.5 mm ²
Sensor cables (temperature-resistant up to 150 °C):	min. 0.5 mm ²
Light cable:	min. 1.5 mm ²
Fan cable:	min. 1.5 mm ²

Expansion module

Amplifier power (@ 4 Ω):	2 × 3 W
Loudspeaker music load:	~ 25 W
Loudspeaker impedance:	4 Ω or 8 Ω
Bluetooth profile:	Bluetooth 4.0 Class 2
Bluetooth range:	20–30 m
DMX profile:	DMX-512-A

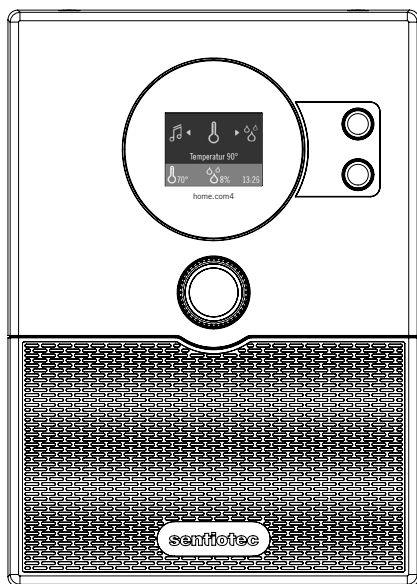


Saunasteuerung

home.com4

mit RS485-Schnittstelle

MONTAGE- UND GEBRAUCHSANWEISUNG
Deutsch



home.com4 BLACK RS485
home.com4 WHITE RS485

1-052-984 / HC4-B-RS485
1-052-985 / HC4-W-RS485

Inhaltsverzeichnis

1. Zu dieser Anleitung	5
2. Wichtige Hinweise zu Ihrer Sicherheit	6
2.1. Bestimmungsgemäßer Gebrauch	6
2.2. Sicherheitshinweise für den Monteur	7
2.3. Sicherheitshinweise für den Anwender	8
3. Produktbeschreibung	9
3.1. Lieferumfang	9
3.2. Optionales Zubehör	9
3.3. Produktfunktionen	9
3.4. Sauna-Betriebsarten	11
3.5. Fühler-Betriebsarten	11
4. Montage	13
4.1. Steuergerät montieren	13
4.2. Leitungsdurchführungen	16
4.3. Ofenfühler F1 mit Übertemperatur-Sicherung montieren	17
4.4. Bankfühler F2 montieren (optional)	18
4.5. Feuchte-Temperaturfühler FTS2 montieren (optional)	18
4.6. Folien-Fühler montieren (optional)	18
5. Elektrischer Anschluss	19
5.1. Versorgungsleitung, Ofen und Verdampfer	21
5.2. Kabinenlicht	21
5.3. Lüfter	21
5.4. Ofenfühler F1	22
5.5. Bankfühler F2 (optional)	22
5.6. Feuchte-Temperaturfühler FTS2 (optional)	22
5.7. Sicherheitsabschaltung	23
5.8. Zusatzausgang	23

5.9. Folienfühler (optional)	23
5.10. Leistungserweiterung (optional)	24
5.11. Fernstart (optional)	24
5.12. Lautsprecherausgang (optional).....	24
5.13. DMX-Ausgang (optional)	25
5.14. BUS-Anbindung (RS485-Schnittstelle).....	26
5.15. Installation abschließen.....	26

6. Prüfungen durchführen..... **27**

7. Anschlussplan..... **28**

7.1. Anschlussplan Basismodul 230 V / 400 V.....	28
7.2. Anschlussplan Basismodul Kleinspannung.....	29
7.3. Anschlussplan Erweiterungsmodul 230 V.....	30
7.4. Anschlussplan Erweiterungsmodul Kleinspannung.....	31

8. Bedienelemente..... **32**

DE

9. Inbetriebnahme..... **33**

9.1. Technikermenü.....	33
-------------------------	----

10. Bedienung..... **36**

10.1. Licht einschalten (Reinigungsbeleuchtung).....	36
10.2. Steuergerät einschalten.....	36
10.3. Sauna-Betrieb.....	37
10.4. Kombi-Betrieb	38
10.5. Nachtrockenprogramm.....	39
10.6. Kabinenlicht	39
10.7. Lüfter.....	40
10.8. Vorwahlzeit.....	40

10.9. Laufzeit	41
10.10. ECO Modus.....	42
10.11. Wochentimer.....	43
10.12. Kindersicherung.....	44
10.13. Alles Aus.....	45
10.14. Benutzerprogramme.....	45
10.15. Zusatzausgang.....	47
10.16. Standby für Fernwirken aktivieren.....	48
10.17. Farblicht.....	49
10.18. Musik.....	50
10.19. BUS-Anbindung (RS485-Schnittstelle).....	52
11. Bluetooth-App.....	53
11.1. Secure Pairing Bluetooth.....	53
12. Reinigung und Wartung.....	54
12.1. Reinigung.....	54
12.2. Wartung.....	54
13. Entsorgung.....	54
14. Problemlösung.....	55
14.1. Fehlermeldungen.....	55
14.2. Wassermangelanzeige	55
14.4. Batterie.....	58
14.3. Sicherungen.....	58
15. Technische Daten.....	59

1. Zu dieser Anleitung

Lesen Sie diese Montage- und Gebrauchsanweisung gut durch und bewahren Sie sie in der Nähe der Saunasteuerung auf. So können Sie jederzeit Informationen zu Ihrer Sicherheit und zur Bedienung nachlesen.



Sie finden diese Montage- und Gebrauchsanweisung auch im Downloadbereich unserer Webseite auf www.sentiotec.com/downloads.

Symbole in Warnhinweisen

In dieser Montage- und Gebrauchsanweisung ist vor Tätigkeiten, von denen eine Gefahr ausgeht, ein Warnhinweis angebracht. Befolgen Sie diese Warnhinweise unbedingt. So vermeiden Sie Sachschäden und Verletzungen, die im schlimmsten Fall sogar tödlich sein können.

In den Warnhinweisen werden Signalwörter verwendet, die folgende Bedeutungen haben:



GEFAHR!

Wenn Sie diesen Warnhinweis nicht beachten, sind Tod oder schwere Verletzungen die Folge.



WARNUNG!

Wenn Sie diesen Warnhinweis nicht beachten, können Tod oder schwere Verletzungen die Folge sein.



VORSICHT!

Wenn Sie diesen Warnhinweis nicht befolgen, können leichte Verletzungen die Folge sein.

ACHTUNG!

Dieses Signalwort warnt Sie vor Sachschäden.

Andere Symbole



Dieses Symbol kennzeichnet Tipps und nützliche Hinweise.

2. Wichtige Hinweise zu Ihrer Sicherheit

Die Saunasteuerungen der home.com4 Serie sind nach anerkannten sicherheitstechnischen Regeln gebaut. Dennoch können bei der Verwendung Gefahren entstehen. Befolgen Sie deshalb die folgenden Sicherheitshinweise und die speziellen Warnhinweise in den einzelnen Kapiteln. Beachten Sie auch die Sicherheitshinweise der angeschlossenen Geräte.

2.1. Bestimmungsgemäßer Gebrauch

Die Saunasteuerungen der home.com4 Serie dienen ausschließlich zum Steuern und Regeln der Funktionen gemäß den technischen Daten.

Die Saunasteuerungen der home.com4 Serie dürfen nur zum Steuern und Regeln eines Saunaofens, der die Abdeckprüfung nach Absatz 19.101 der EN 60335-2-53 besteht, verwendet werden. Erfüllt der Ofen diese Voraussetzung nicht, muss eine entsprechende Sicherheitsvorkehrung getroffen werden (z. Bsp.: Sicherheitsabschaltung siehe 5.7 auf Seite 23).

Die Saunasteuerungen der home.com4 Serie dürfen nur zum Steuern und Regeln von 3 Heizkreisen mit maximal 3,5 kW Heizleistung pro Heizkreis eingesetzt werden. Die maximale Verdampferleistung beträgt 3,5 kW. Die maximale Leistung des Zusatzausgangs beträgt 3,5 kW.

Jeder darüber hinausgehende Gebrauch gilt als nicht bestimmungsgemäß. Nicht bestimmungsgemäßer Gebrauch kann zur Beschädigung des Produkts, zu schweren Verletzungen oder Tod führen.

2.2. Sicherheitshinweise für den Monteur

- Die Montage darf nur durch eine Elektrofachkraft oder eine vergleichsweise qualifizierte Person ausgeführt werden.
- Arbeiten an der Saunasteuerung dürfen nur im spannungsfreien Zustand durchgeführt werden.
- Es ist bauseits eine allpolige Trennvorrichtung mit voller Abschaltung entsprechend der Überspannungskategorie III vorzusehen.
- Die Saunasteuerung ist außerhalb der Saunakabine in ca. 1,70 m Höhe oder gemäß den Empfehlungen des Kabinenherstellers zu montieren. Die Umgebungstemperatur muss im Bereich von -10 °C und 40 °C liegen.
- Der Ofenfühler ist so anzubringen, dass er nicht durch einströmende Luft beeinflusst wird.
- Die Ofen-Zuleitung muss einen Querschnitt von mindestens 2,5 mm² aufweisen und bis 150 °C temperaturbeständig sein.
- Beachten Sie auch die örtlichen Bestimmungen am Aufstellort.
- Bei Problemen, die in den Montageanweisungen nicht ausführlich genug behandelt werden, wenden Sie sich zu Ihrer eigenen Sicherheit an Ihren Lieferanten.

2.3. Sicherheitshinweise für den Anwender

- Die Saunasteuerung darf nicht von Kindern unter 8 Jahren verwendet werden.
- Die Saunasteuerung darf von Kindern über 8 Jahren, von Personen mit verringerten psychischen, sensorischen oder mentalen Fähigkeiten und von Personen mit Mangel an Erfahrung und Wissen unter folgenden Bedingungen verwendet werden:
 - wenn sie beaufsichtigt werden
 - wenn ihnen die sichere Verwendung gezeigt wurde und sie die Gefahren, die entstehen können, verstehen.
- Kinder dürfen nicht mit der Saunasteuerung spielen.
- Kinder unter 14 Jahren dürfen die Saunasteuerung nur reinigen, wenn sie beaufsichtigt werden.
- Wenn Sie unter dem Einfluss von Alkohol, Medikamenten oder Drogen stehen, verzichten Sie aus gesundheitlichen Gründen auf das Saunabad.
- Stellen Sie sicher, dass keine brennbaren Gegenstände auf dem Saunaofen liegen, bevor Sie die Saunasteuerung einschalten.
- Stellen Sie sicher, dass keine brennbaren Gegenstände auf dem Saunaofen liegen, bevor Sie die Vorwahlzeitfunktion oder den Standby-Modus für den Fernstart aktivieren.
- Stellen Sie sicher, dass keine brennbaren Gegenstände auf oder vor dem Infrarot-Strahler liegen, bevor Sie die Saunasteuerung einschalten.
- Stellen Sie sicher, dass keine brennbaren Gegenstände auf oder vor dem Infrarot-Strahler liegen, bevor Sie die Vorwahlzeitfunktion oder den Standby-Modus für den Fernstart aktivieren.
- Bei Problemen, die in der Gebrauchsanweisung nicht ausführlich genug behandelt werden, wenden Sie sich zu Ihrer eigenen Sicherheit an Ihren Lieferanten.

3. Produktbeschreibung

3.1. Lieferumfang

- Saunasteuerung home.com4
- Ofenfühler mit integrierter Übertemperatur-Sicherung
- Fühlerleitungen
- Montagematerial
 - 4 x Spanplattenschraube 3 x 25 mm Linsenkopf

3.2. Optionales Zubehör

- Bankfühler (1-009-231 / O-F2), Fühlerleitungen 1,5 m
- Feuchte-Temperaturfühler (1-010-081 / O-FTS2), Fühlerleitungen 6 m
- Folienfühler (1-014-445 / P-ISX-FF), Fühlerleitungen 3 m
- Leistungserweiterung (1-008-779 / O-S2-18, 1-009-280 / O-S2-30)
- Sicherheitsabschaltung (SFE-xxxxx)

3.3. Produktfunktionen

Die Saunasteuerung home.com4 verfügt über folgende Funktionen:

- Regeln von Kombi-Saunaöfen mit einer Heizleistung bis 10,5 kW und einer Verdampferleistung bis 3,5 kW im Temperaturbereich von 30 °C bis 110 °C und einem Feuchtebereich von 0 bis 100 %.
- Mit einer Leistungserweiterung kann die maximale Schaltleistung von 10,5 kW auf 18 kW oder 30 kW erhöht werden.
- Schalten eines Kabinenlichtes (bis 100 W)
- Schalten eines Lüfters (bis 100 W)
- Vorwahlzeitfunktion (bis 6 Stunden)
- Benutzerprogramme
Mit Hilfe der Benutzerprogramme können bevorzugte Sauna-Einstellungen gespeichert und wieder abgerufen werden. Es stehen 5 voreingestellte Benutzerprogramme zur Verfügung, die nach den Vorstellungen der Benutzer abgeändert werden können.
- Automatische Heizzeitbegrenzung
Die maximal einstellbare Heizzeit kann auf 6 h, 12 h, 18 h oder 24 h geändert werden.

- **Übertemperatur-Sicherung**
Die Übertemperatur-Sicherung befindet sich im Fühlergehäuse des Ofenfühlers. Wenn der Saunaofen durch einen Defekt nach Erreichen der Wunschttemperatur weiterheizt, schaltet die Übertemperatur-Sicherung bei ca. 139 °C den Saunaofen automatisch ab.
- **Echtzeituhr mit Wochentimer**
- **Nachtrockenprogramm**
Nach dem Kombi-Betrieb wird automatisch das Nachtrockenprogramm gestartet, um Schimmel- und Fäulnisbildung in der Saunakabine zu verhindern. Dabei wird die Saunakabine bei eingeschaltetem Lüfter für 30 Minuten auf 80 °C aufgeheizt.
- **Zusatzausgang**
Wahlweise Dimmen (bis 500 W) oder Schalten (bis 3,5 kW) des Zusatzausgangs.

Der Zusatzausgang hat keine Übertemperatursicherung. Deshalb dürfen am Zusatzausgang nur eigensichere Geräte betrieben werden.

- Wenn an den Zusatzausgang Infrarotstrahler angeschlossen werden, müssen diese über eine Übertemperatursicherung verfügen.
- Wenn an den Zusatzausgang Infrarot-Wärmeplatten angeschlossen werden, muss der Folienfühler 1-014-445 / P-ISX-FF verwendet werden und im Technikermenü aktiviert werden (siehe „**9.1. Technikermenü**“ **auf Seite 33**):
- **Fernstartfunktion** von 2 unterschiedlichen Betriebsarten oder Benutzerprogrammen.
- **Farblichtsteuerung über DMX**
 - Einstellung der Farbe, Helligkeit, Übergangszeiten und der Dauer.
 - 4 Farblichtgruppen voneinander unabhängig bedienbar.
- **Musikwiedergabe über Bluetooth®**
 - Integrierter Verstärker
- **Bedienung per Bluetooth®-App**
 - Verfügbar für iOS und Android
- **BUS-Anbindung**
 - Anbindung an Haus-Bus-System mittels RS485-Schnittstelle
 - Anbindung an MySentio Wifi

3.4. Sauna-Betriebsarten

Die Saunasteuerung home.com4 ermöglicht zwei Betriebsarten, Sauna- und Kombi-Betrieb. Wird kein Verdampfer angeschlossen, kann der Menüpunkt für die Bedienung des Verdampfers ausgeblendet werden (siehe „**9.1. Techniker-menü**“ auf Seite 33).

Sauna-Betrieb

Im Sauna-Betrieb steht trockene Wärme zur Verfügung. Die Temperatur in der Kabine ist hoch (80 bis 100 °C). Die Feuchtwerte sind mit maximal 10 % gering.

Kombi-Betrieb

Im Kombi-Betrieb ist neben dem Saunaofen auch der Verdampfer in Betrieb. Die Temperatur in der Saunakabine ist niedriger (ca. 40 bis 65 °C) als im Sauna-Betrieb, dafür ist die relative Luftfeuchte mit 35 % bis ungefähr 70 % wesentlich höher. Dabei ist die maximal einstellbare Soll-Feuchte von der Saunatemperatur abhängig. Je höher die Saunatemperatur, desto niedriger ist der maximal einstellbare Feuchtwert.

3.5. Fühler-Betriebsarten

Die Saunasteuerungen der home.com4 Serie können mit einem oder mit zwei Fühlern betrieben werden. Als zweiter Fühler kann ein Temperaturfühler (Bankfühler F2) oder ein Feuchte-Temperaturfühler (FTS2) verwendet werden.

Ein-Fühlerbetrieb (F1)

Der maximal einstellbare Feuchtwert richtet sich im Ein-Fühlerbetrieb nach der Temperatur über dem Ofen und die Feuchte wird getaktet. Im Display der Saunasteuerung wird nur der Sollwert für die Feuchte (in % relative Luftfeuchtigkeit) angezeigt. Die tatsächliche Feuchte in der Saunakabine ist bei getakteter Feuchte abhängig von der Kabinengröße und der Verdampferleistung und kann vom eingestellten Sollwert abweichen.

Zweifühler-Betrieb mit Bankfühler (F2)

Im Zwei-Fühlerbetrieb mit Bankfühler wird ein zweiter Temperaturfühler (Bankfühler) oberhalb der hinteren Saunabank montiert. Die Saunasteuerung zeigt als Ist-Temperatur jene Temperatur an, die vom Bankfühler gemessen wird.

Im Zwei-Fühlerbetrieb mit Bankfühler wird die Feuchte getaktet. Im Display der Saunasteuerung wird nur der Sollwert für die Feuchte (in % relative Luftfeuchtigkeit) angezeigt. Die tatsächliche Feuchte in der Saunakabine ist bei getakteter Feuchte abhängig von der Kabinengröße und der Verdampferleistung und kann vom eingestellten Sollwert abweichen.

Zwei-Fühlerbetrieb mit Feuchte-Temperaturfühler (FTS2)

Wenn im Zwei-Fühlerbetrieb ein Feuchte-Temperaturfühler verwendet wird, zeigt die Saunasteuerung als Ist-Temperatur jene Temperatur an, die vom Feuchte-Temperaturfühler gemessen wird.

Im Zwei-Fühlerbetrieb mit Feuchte-Temperaturfühler wird der Verdampfer entsprechend der in der Kabine gemessenen Feuchte geregelt. Im Display der Saunasteuerung wird die tatsächliche Feuchte in der Saunakabine (in % relative Luftfeuchtigkeit) angezeigt.

Wird ein Feuchte-Temperaturfühler angeschlossen, kann der Menüpunkt „Verdampfer“ nicht ausgeblendet werden.

4. Montage

4.1. Steuergerät montieren

ACHTUNG!**Schäden am Gerät**

Die Saunasteuerung ist spritzwassergeschützt, trotzdem kann direkter Kontakt mit Wasser das Gerät beschädigen.

- Montieren Sie die Saunasteuerung an einem trockenen Ort, an dem eine maximale Luftfeuchte von 95% nicht überschritten wird.
-

ACHTUNG!**Störquellen beeinträchtigen die Signalübertragung**

- Verlegen Sie alle Fühlerleitungen getrennt zu anderen Netzleitungen und Steuerleitungen.
 - Schützen Sie einfach isolierte Leitungen durch ein Rohr (Doppelisolation).
-

Beachten Sie bei der Montage der Saunasteuerung folgende Punkte:

- Die Saunasteuerung ist außerhalb der Saunakabine oder gemäß den Empfehlungen des Kabinenherstellers zu montieren.
- Die Umgebungstemperatur muss im Bereich von -10 °C und +40 °C liegen.
- Alle Fühler dürfen nur mit den beiliegenden Fühlerleitungen, die bis 150 °C temperaturbeständig sind, angeschlossen werden.

DE



Die Fühlerleitungen dürfen unter folgenden Bedingungen verlängert werden:

- Verwendung einer bis 150 °C beständigen Silikonleitung.
 - Der Mindestquerschnitt der Leitung beträgt 0,5 mm².
 - Die Länge der Ofenfühler-Leitungen darf 10 m NICHT überschreiten.
-

Montage der Saunasteuerung

Zur Montage der Saunasteuerung führen Sie folgende Schritte durch:

1. Drehen Sie zwei Spanplattenschrauben (3 x 25 mm) in ca. 1,70 m Höhe bis zu einem Abstand von 7 mm in die Saunawand ein. Die beiden Schrauben müssen einen Abstand von 156 mm zueinander haben (siehe **Abb.1**).

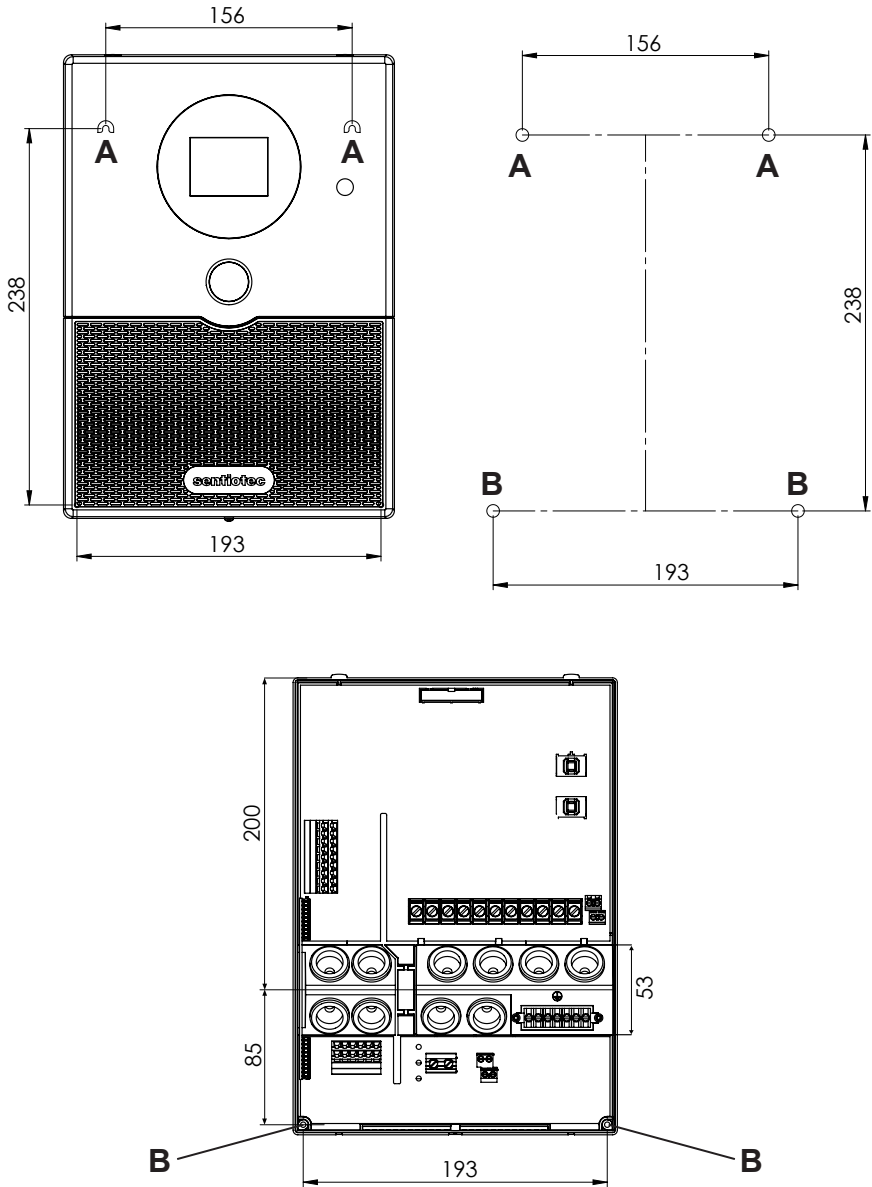
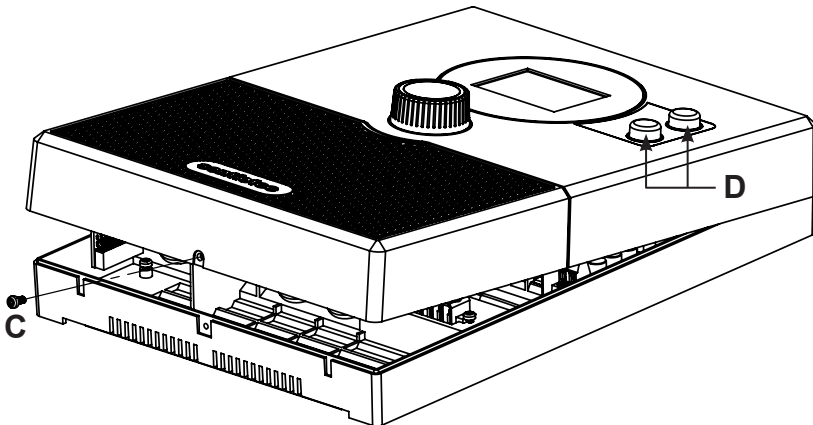


Abb.1 Position der Aufhängevorrichtung und der Montageöffnungen (Maße in mm)

2. Entfernen Sie mit einem Schraubendreher die Gehäuseschraube **C** und heben Sie den Gehäusedeckel von der Unterseite ab (siehe **Abb.2**).

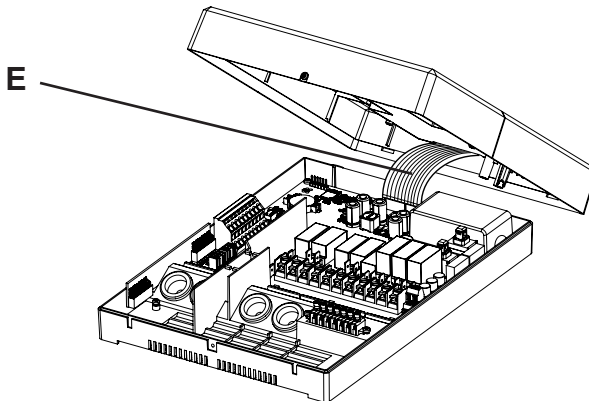
ACHTUNG!

Beim Anheben des Gehäusedeckels lösen sich der Ein-/Ausshalter **D** sowie der Lichtschalter **D** aus der Befestigung. Bewahren Sie diese für die Dauer der Anschlussarbeiten gut auf.

**Abb.2 Abnehmen des Gehäusedeckels**

DE

3. Ziehen Sie vorsichtig am Flachbandkabel **E** um dieses aus der Anschlussbuchse zu lösen (**Abb.3**).

**Abb.3 Flachbandkabel ausstecken**

4. Hängen Sie die Saunasteuerung mit Hilfe der Aufhängevorrichtung **A** auf die montierten Kreuzschlitzschrauben (siehe **Abb.1**).
5. Drehen Sie zwei Spanplattenrauben (3 x 25 mm) in die unteren Befestigungsöffnungen **B** ein (siehe **Abb.1**).

4.2. Leitungsdurchführungen

Anschluss- Versorgungs- und Fühlerleitungen sollten vorab in der Kabinenwand verlegt und durch die jeweiligen Leitungsdurchführungen der Saunasteuerung gezogen werden.

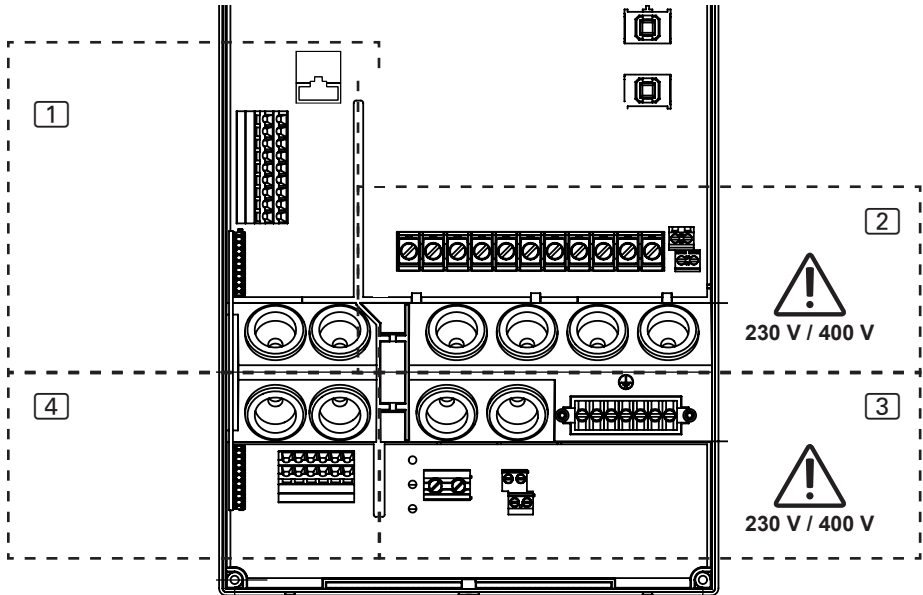


Abb.4 Anschlussbereiche

1 Anschlussbereich Basismodul Kleinspannung: Ofenfühler (F1), Bankfühler (F2), Feuchtefühler (F2S2), Sicherheitsabschaltung (OSG) und BUS-Anbindung

2 Anschlussbereich Basismodul für 230 V / 400 V: Versorgungsleitung, Ofenleitung, Licht und Lüfter.

Erweiterungsmodul:

3 Anschlussbereich für 230 V: Zusatzausgang und Leistungserweiterung.

4 Anschlussbereich Kleinspannung: Lautsprecherleitungen, Fernstart, Folienfühler und DMX.

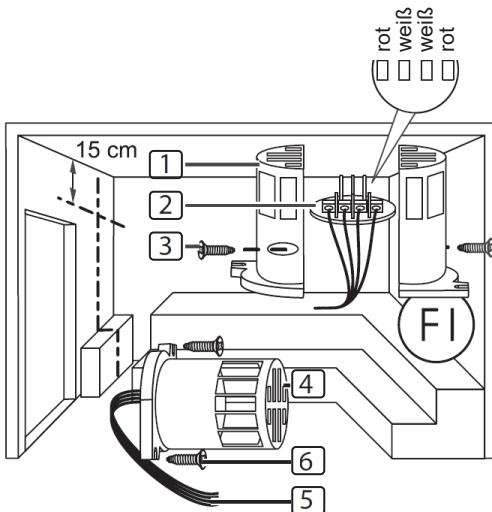
4.3. Ofenfühler F1 mit Übertemperatur-Sicherung montieren

Beachten Sie bei der Montage des Ofenfühlers folgende Punkte:

- Der Ofenfühler ist an der Ofen-Rückwand oberhalb der Mitte des Saunaofens zu montieren. Dabei ist ein Abstand von zirka 15 cm zur Kabinendecke einzuhalten.
- Der Ofenfühler ist so anzubringen, dass er nicht durch einströmende Luft beeinflusst wird.

Zur Montage des Ofenfühlers führen Sie folgende Schritte durch (siehe **Abb.5**):

1. Verlegen Sie die beiden 2-poligen Ofenfühler-Leitungen in der Wand der Saunakabine zum Montageort des Ofenfühlers und fixieren Sie die Ofenfühler-Leitungen mit Leitungsschellen.
2. Ziehen Sie die beiden Halbschalen **1** des Ofenfühlers auseinander.
3. Klemmen Sie die vier Anschlüsse der Ofenfühler-Leitung **5** gemäß der **Abb.5** an.
4. Legen Sie die Anschlussplatte **2** quer (wie in **Abb.5** gezeigt) in die Halbschalen des Ofenfühlers.
5. Schließen Sie die Halbschalen, verschrauben Sie diese mit den beiden Kreuzschlitzschrauben **3** (9 mm) und prüfen Sie, ob der Ofenfühler fest geschlossen ist.
6. Montieren Sie den Ofenfühler an der Ofen-Rückwand mit den beiden beiliegenden Holzschrauben **6** (16 mm).



- 1** Halbschalen des Ofenfühlers
- 2** Anschlussplatte
- 3** Kreuzschlitzschrauben (9 mm)
- 4** Ofenfühler
- 5** Ofenfühler-Leitungen
- 6** Holzschrauben (16 mm)

Abb.5 Montage des Ofenfühlers

4.4. Bankfühler F2 montieren (optional)

Der Bankfühler ist an der Kabinenwand oberhalb der hinteren Sitzbank zu montieren. Dabei ist ein Abstand von zirka 15 cm zur Kabinendecke einzuhalten.

Zur Montage des Bankfühlers führen Sie folgende Schritte durch:

1. Verlegen Sie die 2-polige Bankfühler-Leitung in der Wand der Saunakabine zum Montageort des Bankfühlers und fixieren Sie die Bankfühler-Leitungen mit Leitungsschellen.
2. Ziehen Sie die beiden Halbschalen des Bankfühlers auseinander.
3. Klemmen Sie die beiden Anschlüsse der Bankfühler-Leitung an die beiden mittleren Klemmen der Anschlussplatte an.
4. Legen Sie die Anschlussplatte quer in die Halbschalen des Bankfühlers.
5. Schließen Sie die Halbschalen und verschrauben Sie diese mit den beiden Kreuzschlitzschrauben (9 mm).
6. Prüfen Sie, ob der Bankfühler fest geschlossen ist.
7. Montieren Sie den Bankfühler an der Kabinenwand mit den beiden beiliegenden Holzschrauben (16 mm).

4.5. Feuchte-Temperaturfühler FTS2 montieren (optional)

Der Feuchte-Temperaturfühler ist an der Kabinenwand oberhalb der hinteren Sitzbank zu montieren. Dabei ist ein Abstand von zirka 15 cm zur Kabinendecke einzuhalten.

Zur Montage des Feuchte-Temperaturfühlers führen Sie folgende Schritte durch:

1. Verlegen Sie die 5-polige Fühlerleitung in der Wand der Saunakabine zum Montageort des Feuchte-Temperaturfühlers und fixieren Sie die Fühler-Leitungen mit Leitungsschellen.
2. Montieren Sie den Feuchte-Temperaturfühler an der Kabinenwand mit den beiden beiliegenden Holzschrauben (16 mm).

4.6. Folien-Fühler montieren (optional)

Wenn an den Zusatzausgang eine sentiotec Infrarot-Wärmeplatten angeschlossen wird, muss der Folienfühler 1-014-445 / P-ISX-FF verwendet werden.

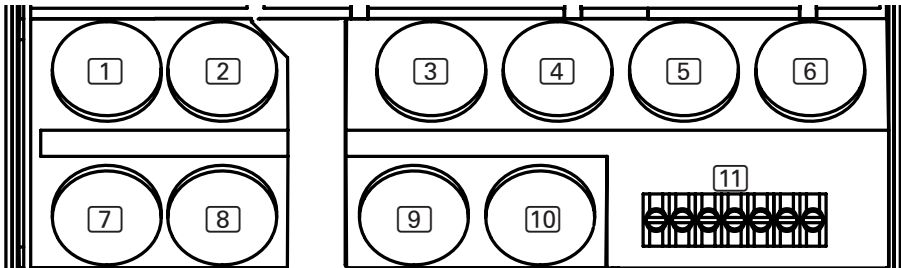
- Beachten Sie zur Montage des Folien-Fühlers die Bedienungsanleitung der Infrarot-Wärmeplatten.
- Die Verwendung eines Folienfühlers muss im Technikermenü aktiviert werden.

5. Elektrischer Anschluss

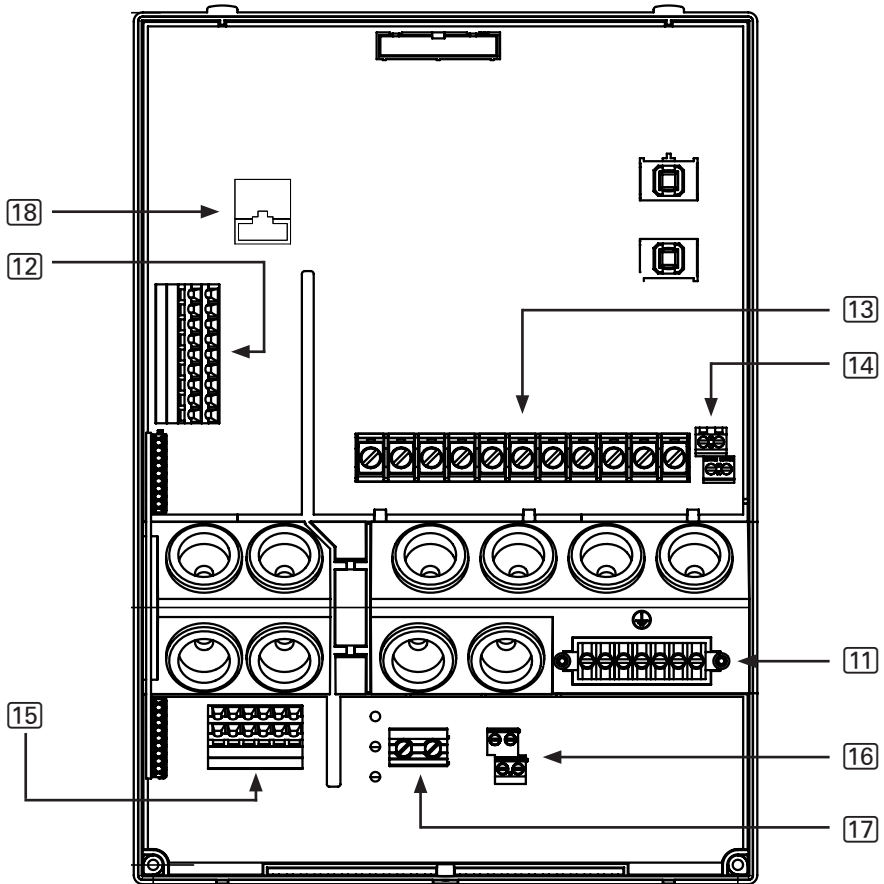
ACHTUNG!

Schäden am Gerät

- Die Saunasteuerung darf nur zum Steuern und Regeln von 3 Heizkreisen mit einer Heizleistung von max. 3,5 kW pro Heizkreis eingesetzt werden. Die maximale Verdampferleistung beträgt 3,5 kW. Die maximale Leistung des Zusatzausgangs beträgt 3,5 kW.



- 1 Kabeldurchführung für FTS2-Fühler, RS485-BUS-Leitung
- 2 Kabeldurchführung für F1-Fühler, F2-Fühler und Sicherheitsabschaltung
- 3 Kabeldurchführung für Verdampferleitung
- 4 Kabeldurchführung für Ofenleitung
- 5 Kabeldurchführung für Versorgungsleitung
- 6 Kabeldurchführung für Licht und Lüfter
- 7 Kabeldurchführung für Lautsprecherleitungen und DMX-Leitung
- 8 Kabeldurchführung für Fernstart und Folienfühler
- 9 Kabeldurchführung für Zusatzausgang
- 10 Kabeldurchführung für Leistungserweiterung
- 11 Erdungssammelschiene



- 11** Erdungssammelschiene
- 12** Klemmleiste für Sicherheitsabschaltung und Fühlerleitungen
- 13** Klemmleiste für Ofen-, Verdampfer- und Versorgungsleitungen
- 14** Klemmleiste für Licht und Lüfter
- 15** Klemmleiste für DMX, Lautsprecher, Fernstart und Folienfühler
- 16** Klemmleiste für Zusatzausgang
- 17** Klemmleiste für Leistungserweiterung
- 18** BUS-Schnittstelle für RS485 (RJ45)

Beachten Sie beim elektrischen Anschluss der Saunasteuerung folgende Punkte:

- Die Montage darf nur durch eine Elektrofachkraft oder eine vergleichsweise qualifizierte Person ausgeführt werden.



Bitte beachten Sie, dass im Falle eines Garantieanspruches eine Kopie der Rechnung des ausführenden Elektrofachbetriebes vorzulegen ist.

- Arbeiten an der Saunasteuerung dürfen nur im spannungsfreien Zustand durchgeführt werden.
- Die elektrische Versorgung muss als Festanschluss erfolgen.
- Es ist bauseits eine allpolige Trennvorrichtung mit voller Abschaltung entsprechend der Überspannungskategorie III vorzusehen.
- Beachten Sie das Kapitel „**7. Anschlussplan**“ auf Seite 28.

5.1. Versorgungsleitung, Ofen und Verdampfer

1. Führen Sie die Versorgungs-, Ofen- und Verdampferleitung durch die Kabeldurchführungen **3**, **4**, **5** in den Anschlussbereich für 230 V / 400 V.
2. Schließen Sie die Anschlussleitungen gemäß dem Anschlussplan an die Klemmleiste **13** an. Beachten Sie dabei die Bedienungsanleitung der jeweiligen Geräte.

5.2. Kabinenlicht

1. Führen Sie die Lichtleitung durch die Kabeldurchführung **6** in den Anschlussbereich für 230 V / 400 V.
2. Schließen Sie die Lichtleitung gemäß dem Anschlussplan an die Klemmleiste **14** an. Beachten Sie dabei die Bedienungsanleitung des jeweiligen Geräts.

5.3. Lüfter

1. Führen Sie die Lüfterleitung durch die Kabeldurchführung **6** in den Anschlussbereich für 230 V / 400 V.
2. Schließen Sie die Lüfterleitung gemäß dem Anschlussplan an die Klemmleiste **14** an. Beachten Sie dabei die Bedienungsanleitung des jeweiligen Geräts.

5.4. Ofenfühler F1

1. Führen Sie die Ofenfühler-Leitungen durch die Kabeldurchführung **[2]** in den Anschlussbereich für Kleinspannung.
2. Schließen Sie die roten Ofenfühler-Leitungen an die Klemmen mit der Beschriftung „**STB**“ in der Klemmleiste **[12]** an.
3. Schließen Sie die weißen Ofenfühler-Leitungen an die Klemmen mit der Beschriftung „**F1**“ in der Klemmleiste **[12]** an.

5.5. Bankfühler F2 (optional)

1. Führen Sie die Bankfühler-Leitungen durch die Kabeldurchführung **[2]** in den Anschlussbereich für Kleinspannung.
2. Schließen Sie die Bankfühler-Leitungen an die Klemmen mit der Beschriftung „**F2**“ in der Klemmleiste **[12]** an.

5.6. Feuchte-Temperaturfühler FTS2 (optional)

1. Führen Sie die Fühlerleitungen durch die Kabeldurchführung **[1]** in den Anschlussbereich für Kleinspannung.
2. Schließen Sie die Temperaturfühler-Leitungen an die Klemmen mit der Beschriftung „**F2**“ in der Klemmleiste **[12]** an.
 - a. Schließen Sie die schwarze Leitung an die rechte Klemme an.
 - b. Schließen Sie die braune Leitung an die linke Klemme an.
3. Schließen Sie die Feuchtefühler-Leitungen an die Klemmen mit der Beschriftung „**FTS2**“ in der Klemmleiste **[12]** an.
 - c. Schließen Sie die grüne Leitung an Klemme „**GREEN**“ an.
 - d. Schließen Sie die orange Leitung an Klemme „**ORANGE**“ an.
 - e. Schließen Sie die rote Leitung an Klemme „**RED**“ an.

5.7. Sicherheitsabschaltung

Laut EN 60335-2-53 dürfen Saunasteuerungen mit Fernwirken nur zum Steuern und Reglen eines Saunaofens, der die Abdeckprüfung nach Absatz 19.101 besteht, verwendet werden. Alternativ kann eine entsprechende Sicherheitsabschaltung im oder über dem Ofen installiert werden. Diese schaltet den Saunaofen ab, wenn Gegenstände, z.B. ein Handtuch, auf dem Saunaofen abgelegt werden.

Zur Montage der Sicherheitsabschaltung führen Sie folgende Schritte durch:

1. Montieren Sie die Sicherheitsabschaltung entsprechend der Bedienungsanleitung des Geräts.
2. Führen Sie die Leitungen der Sicherheitsabschaltung durch die Kabeldurchführung **[2]** in den Anschlussbereich für Kleinspannung.
3. Schließen Sie die Leitungen an die Klemmen mit der Beschriftung „**OSG**“ in der Klemmleiste **[12]** an.



Wird keine Sicherheitsabschaltung montiert, muss eine Drahtbrücke an den Klemmen mit der Beschriftung „**OSG**“ montiert werden.

5.8. Zusatzausgang

Der Zusatzausgang kann z.B. für Infrarot-Strahler oder Infrarot-Wärmeplatten genutzt werden.

DE

1. Führen Sie die Anschlussleitung des Zusatzgeräts durch die Kabeldurchführungen **[9]** in den Anschlussbereich für 230 V / 400.
2. Schließen Sie die Anschlussleitungen gemäß dem Anschlussplan an die Klemmleiste **[16]** an. Beachten Sie dabei die Bedienungsanleitung und die Sicherheitshinweise des jeweiligen Geräts.

Unbedingt die maximale Anschlussleistung des Zusatzausgangs beachten:

- Dimmbar bis maximal 500 W
- Schaltbar bis maximal 3500 W

5.9. Folienfühler (optional)

1. Führen Sie die Fühlerleitungen durch die Kabeldurchführung **[8]** in den Anschlussbereich für Kleinspannung an der Erweiterungsmodul.
2. Schließen Sie die Fühlerleitungen an die Klemmen mit der Beschriftung „**FOIL SENSOR**“ in der Klemmleiste **[15]** an.

5.10. Leistungserweiterung (optional)

1. Führen Sie die Leitung der Leistungserweiterung durch die Kabeldurchführung **10** in den Anschlussbereich für 230 V / 400 V.
2. Schließen Sie die Leitung der Leistungserweiterung gemäß dem Anschlussplan an die Klemmleiste **17** an. Verwenden Sie dabei die Klemme "ST1" für den Sicherheitskreis und die Klemme "ST2" für den Steuerkreis. Beachten Sie die Bedienungsanleitung des jeweiligen Geräts.

5.11. Fernstart (optional)

Der Anschluss erfolgt über die Klemmen "RS1", "RS2" und "24VDC" an der Klemmleiste **15**.

Über einen Schalter oder einen Aktuator müssen die +24 VDC auf die Klemme für die gewünschte Betriebsart RS1 oder RS2 geschaltet werden.

Im Technikermenü kann RS1 und RS2 eine beliebige Betriebsart oder ein Benutzerprogramm zugeordnet werden (siehe „8.17. Standby für Fernwirken aktivieren“ auf Seite 48).

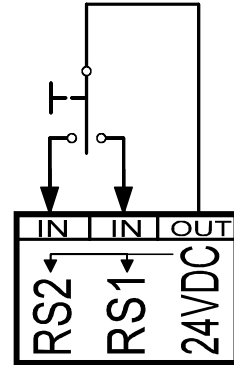


Abb.6 Fernstart

5.12. Lautsprecherausgang (optional)

Am Lautsprecherausgang können handelsübliche Lautsprecher, mit einer empfohlenen Musikbelastbarkeit von ca. 25 W angeschlossen werden. Die Impedanz sollte bei 8 Ω liegen. Der Mindestquerschnitt der Lautsprecherkabel beträgt 2 x 0,5 mm².

1. Führen Sie die Lautsprecherleitungen durch die Kabeldurchführung **7** in den Anschlussbereich für Kleinspannung an der Erweiterungsmodul.
2. Schließen Sie die Lautsprecherleitungen an der Klemmleiste **15** mit der Beschriftung RS- und RS+ für den rechten Lautsprecher, und LS- und LS+ für den linken Lautsprecher. Für ein optimales Klangerlebnis achten Sie dabei auf die Polung der Anschlussleitungen.

5.13. DMX-Ausgang (optional)

1. Führen Sie die DMX-Anschlussleitungen durch die Kabeldurchführung **7** in den Anschlussbereich für Kleinspannung an der Erweiterungsmodul.
2. Schließen Sie die DMX-Anschlussleitungen gemäß den Bezeichnungen an die Klemmleiste **15** an.
 - **DMX A** (DATA +)
 - **DMX B** (DATA -)
 - **GND** (Masse/Schirm)

Unterstützt werden 4 unterschiedliche DMX-Protokolle, welche zeitgleich am DMX-Ausgang ausgegeben werden:

1. 8-bit RGBW
2. 16-bit RGBW
3. 8-bit Hue - Value - Saturation (z.B. für COLLAXX Farblichtgeräte)
4. 8-bit Hue - Saturation - Value

Verwenden Sie nachfolgende Adressen-Übersicht um Ihr Farblichtgerät in die Saunasteuerung einzubinden.

DE

RGBW_8BIT

- Start Adresse: Kanal 1
 - ▶ Kanal Lichtgruppe 1: **1**
 - ▶ Kanal Lichtgruppe 2: **5**
 - ▶ Kanal Lichtgruppe 3: **9**
 - ▶ Kanal Lichtgruppe 4: **13**

RGBW_16BIT

- Start Adresse: Kanal 17
 - ▶ Kanal Lichtgruppe 1: **17**
 - ▶ Kanal Lichtgruppe 2: **25**
 - ▶ Kanal Lichtgruppe 3: **33**
 - ▶ Kanal Lichtgruppe 4: **41**

COLLAXX (HUE - VALUE - SATURATION, 8-bit)

- Start Adresse: Kanal 49
 - ▶ Kanal Lichtgruppe 1: **49**
 - ▶ Kanal Lichtgruppe 2: **52**
 - ▶ Kanal Lichtgruppe 3: **55**
 - ▶ Kanal Lichtgruppe 4: **58**

HSV (HUE - SATURATION - VALUE, 8-bit)

- Start Adresse: Kanal 61
 - ▶ Kanal Lichtgruppe 1: **61**
 - ▶ Kanal Lichtgruppe 2: **64**
 - ▶ Kanal Lichtgruppe 3: **67**
 - ▶ Kanal Lichtgruppe 4: **70**

5.14. BUS-Anbindung (RS485-Schnittstelle)

1. Führen Sie die RJ45-Datenleitungen durch die Kabeldurchführung 1 in den Anschlussbereich für Kleinspannung.
2. Schließen Sie die Datenleitung an die RJ45-Buchse 18 an.
3. Beachten Sie die Bedienungsanleitung und Sicherheitshinweise des jeweiligen Geräts (RS485-Anbindung, MySentio Wifi,..)

5.15. Installation abschließen

1. Schließen Sie die Schutzleiter der Versorgungsleitung und aller Geräte an die Erdungsschiene 11 an.
2. Setzen Sie den Gehäusedeckel an den oberen Rand und verbinden Sie das Flachbandkabel mit dem Gehäuseunterteil.
3. Drücken Sie das Gehäuseoberteil nach unten und drehen Sie mit einem Schraubendreher die Gehäuseschraube ein.
4. Zuletzt setzen Sie die 2 Taster (Ein-/Ausschalter und Lichtschalter) in das Gehäuseoberteil ein, bis diese hörbar einrasten.

6. Prüfungen durchführen



WARNUNG!

Die folgenden Prüfungen werden bei eingeschalteter Stromversorgung durchgeführt. Es besteht die Gefahr eines Stromschlages.

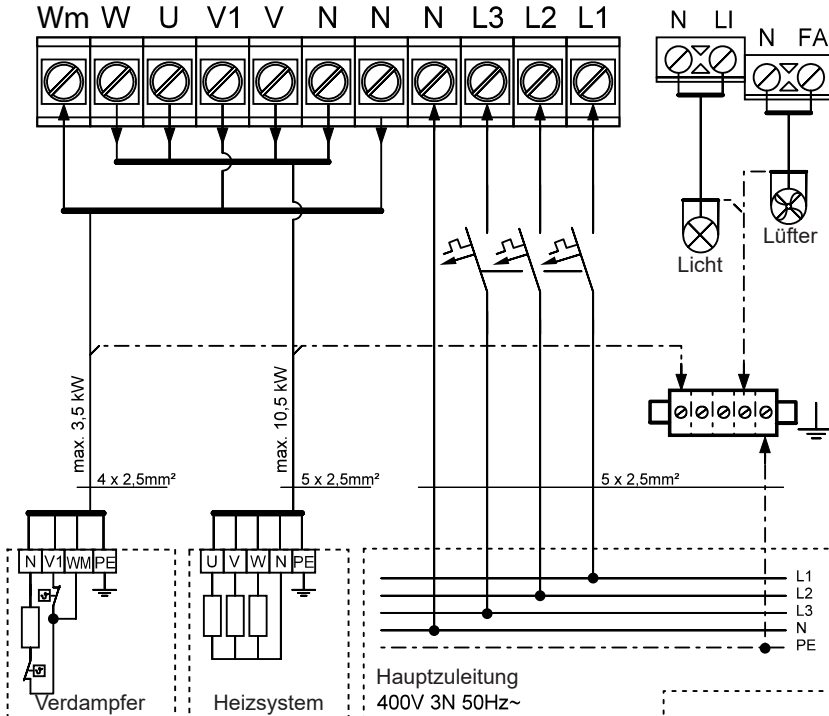
- Berühren Sie NIEMALS spannungsführende Teile.

Die folgenden Prüfungen müssen von einem zugelassenen Elektroinstallateur durchgeführt werden.

1. Prüfen Sie den Kontakt der Erdungsleitungen an der Schutzleiterklemme.
2. Prüfen Sie die Übertemperatur-Sicherung des Ofenfühlers F1.
 - a. Schalten Sie die Saunasteuerung ein.
 - ▶ Sollten hier Fehlermeldungen angezeigt werden, springen Sie zu Schritt „14.1. Fehlermeldungen“ auf Seite 55.
 - b. Öffnen Sie den Ofenfühler und klemmen Sie eine der beiden roten Ofenfühler-Leitungen ab.
 - ▶ Ein wiederkehrenden Warnton ertönt, im Display wird "Fehler *01" angezeigt.
 - ▶ Die Steuerung schaltet den Ofen ab.
 - c. Schalten Sie die Saunasteuerung aus.
 - d. Klemmen Sie die rote Ofenfühler-Leitung wieder an.
 - e. Klemmen Sie nun eine der weißen Ofenfühler-Leitungen ab.
 - f. Schalten Sie die Saunasteuerung ein.
 - ▶ Ein wiederkehrender Warnton ertönt, im Display wird "Fehler *04F1" angezeigt.
 - ▶ Die Steuerung schaltet den Ofen ab.
 - g. Schalten Sie die Saunasteuerung aus.
 - h. Klemmen Sie die weiße Ofenfühler-Leitung wieder an.
3. Prüfen Sie die Phasendurchschaltung für den Sauna-Betrieb L1, L2, L3 zu U, V, W sowie die maximal zulässige Heizleistung von 3,5 kW je Phase.
4. nur bei Verwendung eines Verdampfers: Prüfen Sie die Phasendurchschaltung für Verdampfer-Betrieb L1, L2, L3 zu U, V1, W.
5. Überprüfen Sie die Phasendurchschaltung von L3 auf AUX bei Aktivierung des am Zusatzausgang angeschlossenen Geräts.

7. Anschlussplan

7.1. Anschlussplan Basismodul 230 V / 400 V

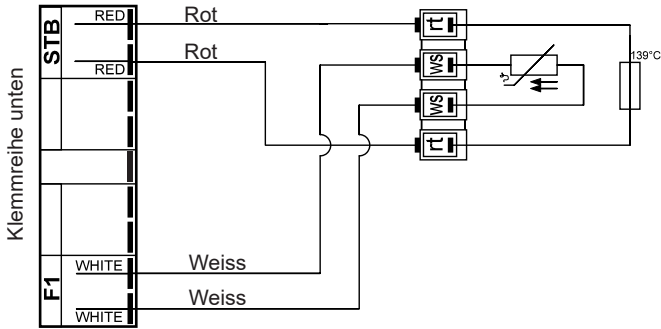


Empfohlene Schutz Einrichtungen Zuleitung:

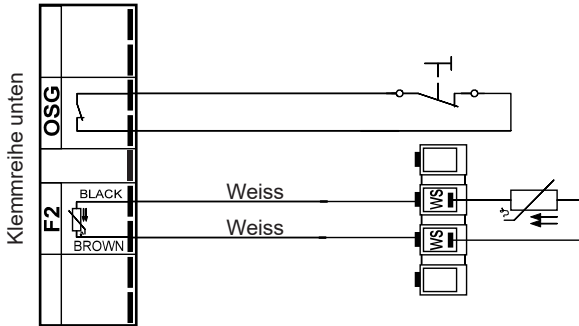
Absicherung Versorgungsleitung:	3 x 20 A (CAT III)
FI (Fehlerstromschutzschalter):	30 mA

7.2. Anschlussplan Basismodul Kleinspannung

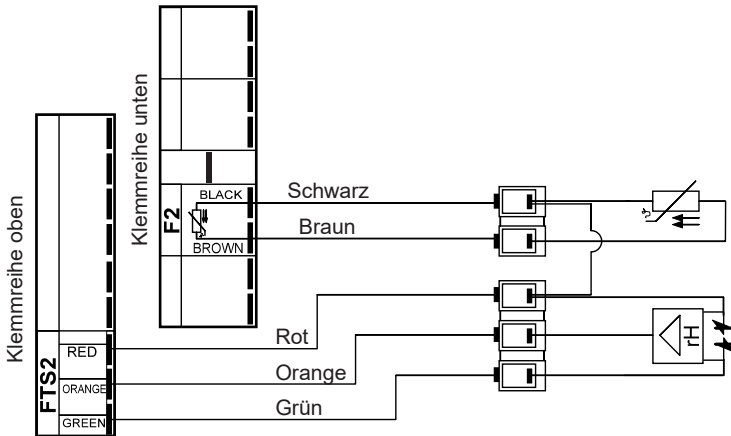
Anschluss Ofenfühler F1:



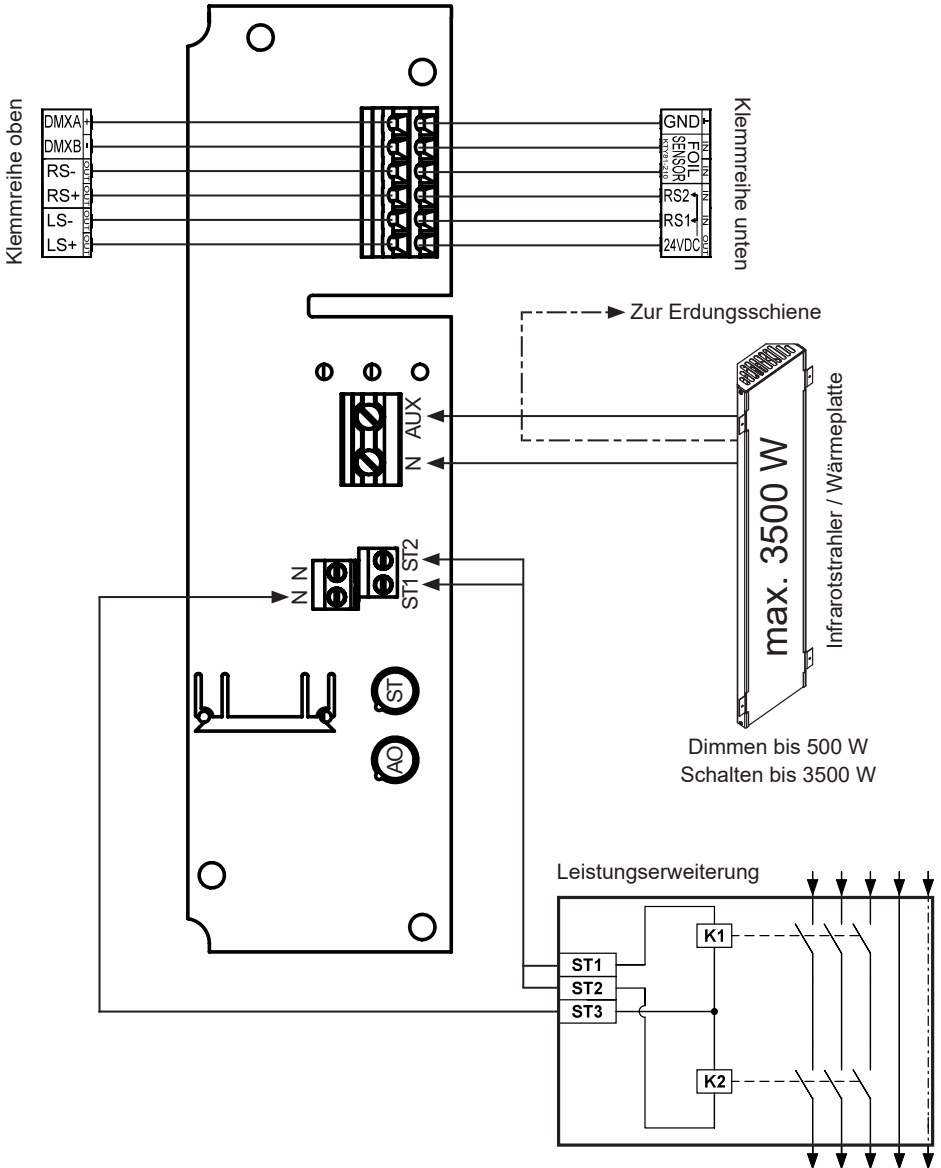
Anschluss Bankfühler F2 und Sicherheitsabschaltung OSG:



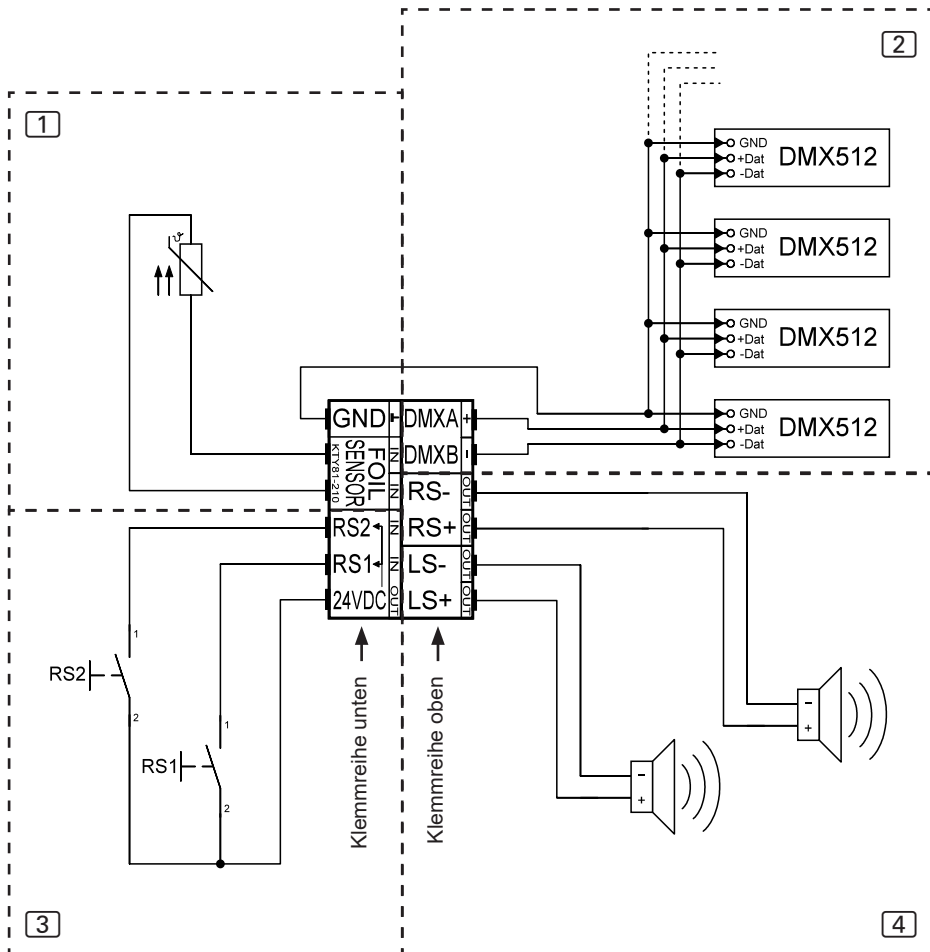
Anschluss Feuchte- Temperatursensor FTS2:



7.3. Anschlussplan Erweiterungsmodul 230 V



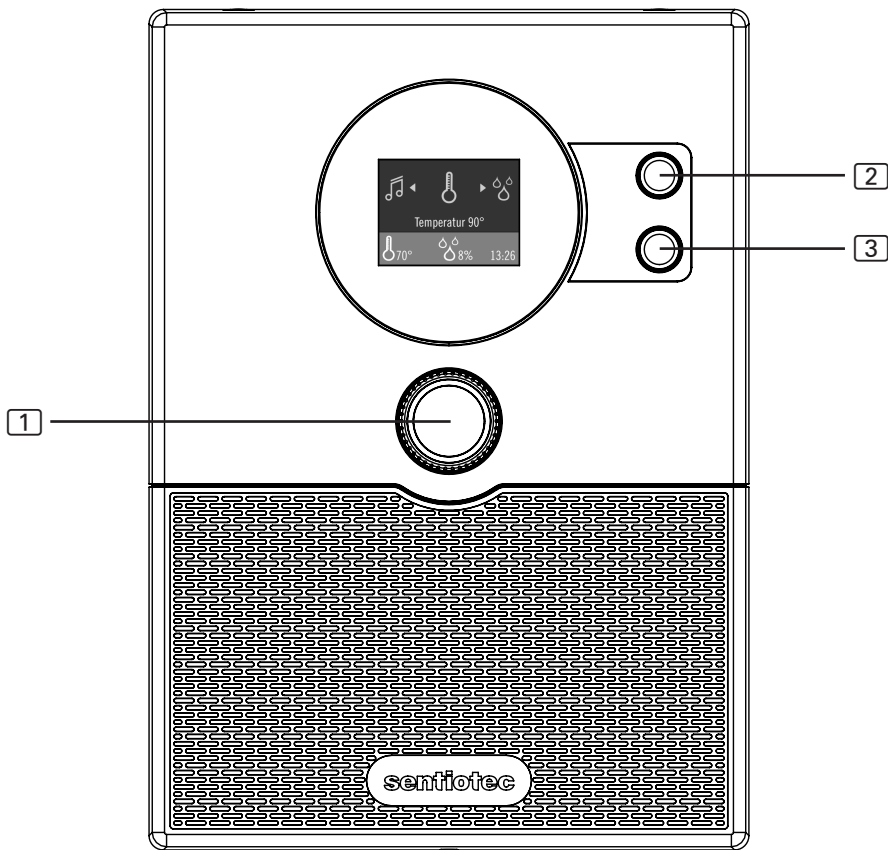
7.4. Anschlussplan Erweiterungsmodul Kleinspannung



DE

- 1 Anschluss Folienfühler
- 2 Anschluss DMX
- 3 Anschluss Fernstart
- 4 Anschluss Lautsprecher

8. Bedienelemente



- 1 **Drehwähler** (Dreh- und Drückknopf zur Menübedienung)
- 2 **Hauptschalter** (Ein- und Ausschalten der Saunasteuerung)
- 3 **Lichtschalter** (Ein- und Ausschalten des Kabinenlichts)

9. Inbetriebnahme

9.1. Technikermenü

Die Saunasteuerung home.com4 besitzt ein, vom Hauptmenü getrenntes, Technikermenü, worin alle grundlegenden Einstellungen vorgenommen werden.

Das Technikermenü ist nur in Englischer Sprache verfügbar.

Um ins Technikermenü zu gelangen, führen Sie folgende Schritte durch:

1. Schalten Sie die Saunasteuerung aus
2. Halten Sie den Drehwähler **1** gedrückt und schalten Sie die Saunasteuerung mit dem Hauptschalter **2** ein.
 - ▶ Im Display erscheint das Technikermenü mit den verfügbaren Menüpunkten.

Menünavigation

Für das Navigieren durch das Menü, verwenden Sie den Drehwähler **1**.

- Drehen Sie den Drehwähler nach rechts, um im Menü nach unten zu scrollen.
- Drehen Sie den Drehwähler nach links, um im Menü nach oben zu scrollen.
- Zum Auswählen eines Menüpunktes, drücken Sie auf den Drehwähler.
 - ▶ Die Einstellung des jeweiligen Menüpunktes wird grün hinterlegt, und kann nun verändert werden.
- Drehen Sie nach unten oder oben, um die zur Verfügung stehenden Einstellungsmöglichkeiten anzuzeigen.
 - ▶ Um die Auswahl zu bestätigen, drücken Sie den Drehwähler.



Die EN 60335-2-53 schreibt für private Saunen eine maximale Heizzeitbegrenzung von 6 h vor. Für Saunen in Hotels, Wohnblöcken und ähnlichen Standorten ist eine Heizzeitbegrenzung von maximal 12 h zulässig. Die Erweiterung der Heizzeitbegrenzung auf 18 h oder 24 h ist nur in öffentlichen Saunen gestattet.


Menüpunkt	Beschreibung	Einstellmöglichkeiten
Language	Einstellung der Menüsprache	Deutsch, Englisch, Schwedisch, Französisch, Slowenisch, Spanisch, Estnisch, Finnisch, Italienisch, Niederländisch, Polnisch, Russisch, Tschechisch
Time	Einstellung der Uhrzeit	hh:mm
Year	Einstellung des Jahres	z.B. 2017
Month	Einstellung des Monats	z.B. Juli
Day	Einstellung des Tages	z.B. der 17.
Weekday	Einstellung des Wochentages	z.B. Monday
Heating time limit	Maximale Heizzeitbegrenzung	6 / 12 / 18 / 24 h
Heater Sensor Offset	Kalibrierung Ofenfühler in °C	-10 bis +10
Bench Sensor Offset	Kalibrierung Bankfühler in °C	-10 bis +10
Humidity Offset	Kalibrierung Feuchte in %	-10 bis +10
Maximum temperature	Festlegung der maximal einstellbaren Soll-Temperatur	40 - 110 °C
Bench sensor	Zweifühler-Betrieb aktivieren / deaktivieren	On/Off
Phase Alignment	Phasenrollierung aktivieren / deaktivieren	On/Off
Vaporizer	Verdampfer aktivieren / deaktivieren bzw. Single-Betrieb freischalten	Off / Normal / Single
Foil sensor	Folienfühler aktivieren oder deaktivieren	Yes / No
Aux mode	Zusatzausgang dimmen bis 500 W Zusatzausgang schalten bis 3500 W	dimmbable switchable
Mode RS1	Startmodus Fernstarteingang RS1 RS = Remote Start	Finnish / combi, user programs 1–5
Mode RS2	Startmodus Fernstarteingang RS2 RS = Remote Start	Finnish / combi, user programs 1–5
Remote enabling	Fernstart - Freigabe	Internal/external
Drying time	Dauer des automatischen Nachtrocknenprogramms (80°C und Lüfter)	0–60 min
Preheat time vaporizer	Regelungsunabhängige Vorheizzeit des Verdampfers (nur ohne FTS2-Fühler)	0–20 min


Menüpunkt	Beschreibung	Einstellmöglichkeiten
Colorlight	Farbeinstellungen Farbverläufe DMX-Funkübertragung synchronisieren Individuelle Farbeinstellungen für die Grundfarben: Rot, Gelb, Grün, Türkis, Blau, Violett, Weiß	<u>Farb-Anteile:</u> Rot: 0 - 100 % Grün: 0 - 100 % Blau: 0 - 100 % Weiß: 0 - 100 %
- Gradient	Farbverläufe 1 - 4 individuell konfigurieren Einzelne Grundfarben im Farbverlauf aktivieren / deaktivieren Die Reihenfolge der Farbverläufe kann nicht verändert werden	Rot: Ein/Aus Gelb: Ein/Aus Grün: Ein/Aus Türkis: Ein/Aus Blau: Ein/Aus Violett: Ein/Aus weiß: Ein/Aus
- Duration	Einstellung der Farbdauer einzelner Farben	[Sec]
- Transition time	Einstellung der Übergangszeit zwischen den Farben	[Sec]
- Synchronize	DMX-Kanal synchronisieren (für Funkstrecke)	Kanal: 0 - 512
SW version	Anzeige Software-Version	
HW version	Anzeige Hardware-Version	
Cycles	Anzeige Anzahl der Relais-Schaltvorgänge	
Buzzer	Akkustisches Signal aktivieren /deaktivieren	On/Off
Button sounds	Tastenton aktivieren / deaktivieren	On/Off
Secure Pairing Music	Bestätigung der Anmeldung erforderlich	On/Off
Secure Pairing App	Bestätigung der Anmeldung erforderlich	On/Off
Bluetooth PIN		
Bluetooth ID		
Delete paired devices	Rücksetzen aller angeschlossenen Geräte	Start
Factory reset	Rücksetzen auf Werkseinstellung	Start
Exit	Alle Einstellungen werden gespeichert und das Technikermenü wird verlassen	Start

10. Bedienung

Beachten Sie „8. Bedienelemente“ auf Seite 32.

10.1. Licht einschalten (Reinigungsbeleuchtung)

Das Licht in der Saunakabine kann am Steuergerät unabhängig vom Ein/Aus-Schalter  eingeschaltet und ausgeschaltet werden.

- Um das Licht am Steuergerät einzuschalten bzw. auszuschalten, drücken Sie den Lichtschalter .

10.2. Steuergerät einschalten




WARNUNG!

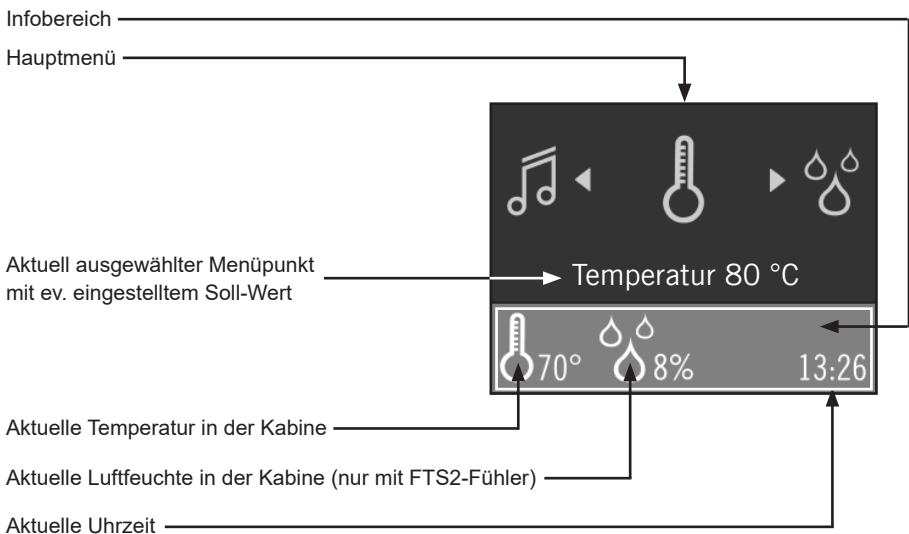
Brandgefahr

Brennbare Gegenstände, die auf dem heißen Saunaofen liegen, können sich entzünden und Brände verursachen.

- Legen Sie NIEMALS brennbare Gegenstände auf den Saunaofen.
- Stellen Sie sicher, dass KEINE brennbaren Gegenstände auf dem Saunaofen liegen, bevor Sie die Saunasteuerung einschalten.

- Drücken Sie den Ein/Aus-Schalter , um das Steuergerät einzuschalten.
 - ▶ Der Menüpunkt „Benutzerprogramme“ erscheint standardmäßig beim Einschalten im Display.

Anzeigeelemente:





10.3. Sauna-Betrieb

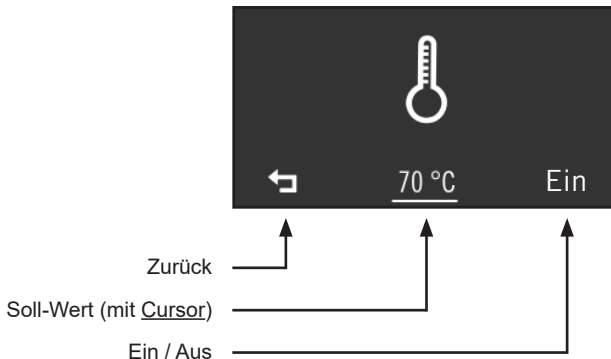
Sauna-Betrieb starten

1. Wählen Sie mit dem Drehwähler [1] das Temperatur-Symbol aus. Drücken Sie diesen anschließend kurz zum Bestätigen.
 - ▶ Das Untermenü „Temperatur“ öffnet sich und im Display erscheint unterstrichen der eingestellte Soll-Wert für die Temperatur.
2. Zum Verändern des Wertes den Drehwähler drücken.
 - ▶ Der Wert ist nun grün hinterlegt und kann verändert werden.
 - ▶ Zum Bestätigen der Einstellung den Drehwähler erneut drücken.
3. Den Cursor (Unterstrich) nach rechts auf „Ein“ stellen, und den Drehwähler kurz drücken.
 - ▶ Der Saunaofen wird eingeschaltet und beginnt zu heizen.
 - ▶ Die Farbe des Temperatursymbols im Infobereich wechselt auf Rot.
 - ▶ Der Menüpunkt „Temperatur“ wird automatisch verlassen.

Sauna-Betrieb ausschalten

4. Zum Ausschalten des Saunaofens Punkt 1. und 3. wiederholen.
 - ▶ Anstelle von „Ein“ wird „Aus“ angezeigt.
 - ▶ Zum Verlassen des Untermenüs den Cursor auf das „Zurück-Symbol“ links stellen und mit dem Drehwähler bestätigen.

Ansicht Untermenü Temperatur





10.4. Kombi-Betrieb

Kombi-Betrieb starten

1. Wählen Sie mit dem Drehwähler **[1]** das Temperatur-Symbol aus. Drücken Sie diesen anschließend kurz zum Bestätigen.
 - ▶ Das Untermenü „Feuchtigkeit“ öffnet sich und im Display erscheint unterstrichen der eingestellte Soll-Wert für die Feuchtigkeit.
2. Zum Verändern des Wertes den Drehwähler drücken.
 - ▶ Der Wert ist nun grün hinterlegt und kann verändert werden.
 - ▶ Zum Bestätigen der Einstellung den Drehwähler erneut drücken.
3. Den Cursor (Unterstrich) nach rechts auf „Ein“ stellen, und den Drehwähler kurz drücken.
 - ▶ Der Verdampfer wird eingeschaltet und beginnt zu heizen.
 - ▶ Die Farbe des Feuchtesymbols im Infobereich wechselt auf Blau.
 - ▶ Der Menüpunkt „Feuchtigkeit“ wird automatisch verlassen.

Kombi-Betrieb ausschalten

4. Zum Ausschalten des Verdampfers Punkt 1. und 3. wiederholen.
 - ▶ Anstelle von „Ein“ wird „Aus“ angezeigt.
 - ▶ Zum Verlassen des Untermenüs den Cursor auf das „Zurück-Symbol“ links stellen und mit dem Drehwähler bestätigen.
 - ▶ Der Verdampfer wird ausgeschaltet.

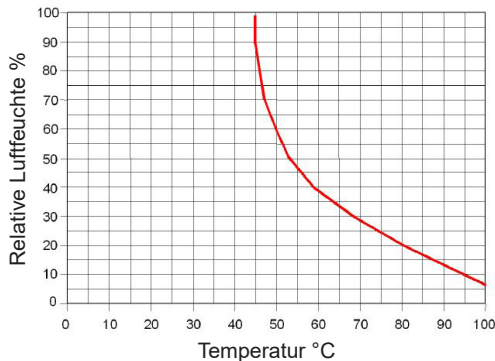


Der Verdampfer lässt sich nur starten, wenn der Saunaofen eingeschaltet ist. Dabei ist die maximal einstellbare Soll-Feuchte von der Saunatemperatur abhängig. Je höher die Saunatemperatur, desto niedriger ist der maximal einstellbare Feuchtwert (siehe Kennlinie).

Ausnahme: Der Verdampfer-Single-Betrieb ist aktiviert (siehe „**9.1. Technikermenü**“ auf Seite 33). Hier lässt sich der Verdampfer auch ohne Saunaofen in Betrieb nehmen, wobei die maximale Feuchte von der aktuellen Kabinentemperatur abhängt.



Wird die Saunasteuerung ohne Feuchte-Temperaturfühler (FTS2) verwendet, ist der Taktbetrieb aktiviert. Befindet sich die Kabinentemperatur unter 30° C, wird der Verdampfer für eine voreingestellte Zeit (Standardmäßig 10 Minuten) durchgehend eingeschaltet. Danach wird mit dem normalen Taktbetrieb begonnen.



EN 60335-2-53:2011; Kennlinie Temperatur / relative Luftfeuchte für den sachgemäßen Gebrauch.



10.5. Nachtrockenprogramm

Nach dem Kombi-Betrieb wird automatisch das Nachtrockenprogramm gestartet, um Schimmel- und Fäulnisbildung in der Saunakabine zu verhindern. Dabei wird die Saunakabine bei eingeschaltetem Lüfter für 30 Minuten auf 80 °C aufgeheizt.

- ▶ Zum Abbrechen des Nachtrockenprogramms, drücken Sie auf den Drehwähler **1** und drehen Sie ihn gleichzeitig nach rechts.

DE



Um Schimmel- und Fäulnisbildung zu vermeiden, sollte das Nachtrockenprogramm NICHT abgebrochen werden.



10.6. Kabinenlicht

Kabinenlicht einschalten

1. Wählen Sie mit dem Drehwähler **1** das Licht-Symbol aus. Drücken Sie diesen anschließend kurz um das Kabinenlicht einzuschalten.
 - ▶ Das Kabinenlicht wird eingeschaltet.
 - ▶ Im Display erscheint „Licht Ein“

Kabinenlicht ausschalten

2. Zum Ausschalten des Kabinenlichts den Drehwähler **1** erneut drücken.
 - ▶ Das Kabinenlicht wird ausgeschaltet.
 - ▶ Im Display erscheint „Licht Aus“



10.7. Lüfter

Lüfter einschalten

3. Wählen Sie mit dem Drehwähler **1** das Lüfter-Symbol aus. Drücken Sie diesen anschließend kurz um den Lüfter einzuschalten.
 - ▶ Der Lüfter wird eingeschaltet.
 - ▶ Im Display erscheint „Lüfter Ein“

Lüfter ausschalten

4. Zum Ausschalten des Lüfters den Drehwähler **1** erneut drücken.
 - ▶ Der Lüfter wird ausgeschaltet.
 - ▶ Im Display erscheint „Lüfter Aus“



10.8. Vorwahlzeit

Vorwahlzeit einstellen

Sie können die Vorwahlzeit minutengenau einstellen. Die maximale Vorwahlzeit beträgt 6 Stunden.

1. Starten Sie jene Funktionen, die nach Ablauf der Vorwahlzeit gestartet werden sollen.
2. Wählen Sie mit dem Drehwähler **1** das Vorwahlzeit-Symbol aus. Drücken Sie diesen anschließend kurz, um das Untermenü zu öffnen.
 - ▶ Das Untermenü „Vorwahlzeit“ öffnet sich und im Display erscheint unterstrichen die zuletzt eingestellte Vorwahlzeit.
3. Zum Verändern des Wertes den Drehwähler drücken.
 - ▶ Der Wert ist nun grün hinterlegt und kann verändert werden.
 - ▶ Die Anzeige erfolgt in hh:mm.
 - ▶ Zum Bestätigen der Einstellung den Drehwähler erneut drücken.
4. Den Cursor (Unterstrich) nach rechts auf „Start“ stellen, und den Drehwähler kurz drücken.
 - ▶ Alle zuvor aktivierten Funktionen werden ausgeschaltet.
 - ▶ Im Display erscheint die verbleibende Vorwahlzeit.
 - ▶ Der Drehwähler **1** beginnt langsam zu blinken.
 - ▶ Nach Ablauf der Vorwahlzeit werden die gewählten Funktionen gestartet.



Vorwahlzeit-Funktion abbrechen

Zum Abbrechen der Vorwahlzeitfunktion, drücken Sie auf den Drehwähler **1** und drehen Sie ihn gleichzeitig nach rechts.

- ▶ Die Vorwahlzeit-Funktion wird abgebrochen.



Aus Sicherheitsgründen ist während einer aktiven Vorwahlzeit die Bedienung gesperrt. Um Änderungen an Einstellungen vorzunehmen, brechen Sie die Vorwahlzeit-Funktion ab und starten Sie diese anschließend erneut.



10.9. Laufzeit

Sie können bereits im Technikermenü der Saunasteuerung bestimmen, wie lange die Sauna maximal durchgehend in Betrieb sein soll (z.B. 6 h für private Saunen).




1. Um diese Einstellung zu verfeinern, wählen Sie mit dem Drehwähler **1** das Laufzeit-Symbol aus. Drücken Sie diesen anschließend kurz, um das Untermenü zu öffnen.
 - ▶ Das Untermenü „Laufzeit“ öffnet sich und im Display erscheint unterstrichen die zuletzt eingestellte Laufzeit.
2. Zum Verändern des Wertes den Drehwähler drücken.
 - ▶ Der Wert ist nun grün hinterlegt und kann verändert werden.
 - ▶ Die Anzeige erfolgt in hh:mm.
 - ▶ Zum Bestätigen der Einstellung den Drehwähler erneut drücken.
 - ▶ Der eingestellte Wert wird dauerhaft gespeichert.
3. Zum Verlassen des Untermenüs den Cursor auf das „Zurück-Symbol“ links stellen und mit dem Drehwähler bestätigen.

10.10. ECO Modus

Die Eco-Funktion ermöglicht Ihnen, in den Pausen zwischen den Saunagängen Energie zu sparen. Die angeschlossenen Geräte laufen bei aktivierter Eco-Funktion mit reduzierter Leistung. Sie können zwischen einer 20-, 40-, oder 60-minütigen Saunapause wählen.

Der Saunaofen bzw. der Verdampfer werden vor Ende der Pause wieder eingeschaltet. So sind am Ende der Saunapause die Soll-Temperatur und die Soll-Feuchte wieder erreicht.

Führen Sie folgende Schritte aus, um die Eco-Funktion zu aktivieren:

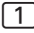
1. Wählen Sie mit dem Drehwähler  das ECO-Symbol aus. Drücken Sie diesen anschließend kurz, um das Untermenü zu öffnen.
 - ▶ Das Untermenü „ECO Modus“ öffnet sich und im Display erscheint unterstrichen die zuletzt verwendete Pausenzeit.
2. Zum Verändern der Pausenzeit den Drehwähler drücken.
 - ▶ Der Wert ist nun grün hinterlegt und kann verändert werden.
 - ▶ Die Anzeige erfolgt in Minuten.
3. Es stehen 3 unterschiedliche Pausenzeiten zur Verfügung:
 - 20-minütige Saunapause.
 - 40-minütige Saunapause.
 - 60-minütige Saunapause.
 - ▶ Zum Bestätigen der Einstellung den Drehwähler erneut drücken.
4. Den Cursor (Unterstrich) nach rechts auf „Start“ stellen, und den Drehwähler kurz drücken.
 - ▶ Die Saunapause wird gestartet.
 - ▶ Im Display erscheint die verbleibende Pausenzeit.
 - ▶ Der Drehwähler  beginnt langsam zu blinken.
5. Zum Abbrechen der Saunapause drücken Sie auf den Drehwähler  und drehen Sie ihn gleichzeitig nach rechts.



10.11. Wochentimer

Der Wochentimer ermöglicht Ihnen, die Saunasteuerung an bestimmten Zeiten, an bestimmten Wochentagen und mit beliebigen Betriebsarten automatisch ein- und ausschalten zu lassen. Dabei können bis zu 14 voneinander unabhängige Ein-/Ausschaltvorgänge programmiert werden. Die manuelle Bedienung der Saunasteuerung ist zeitgleich uneingeschränkt.

Führen Sie folgende Schritte aus, um ein Wochentimer-Programm zu erstellen:

1. Wählen Sie mit dem Drehwähler  das Wochentimer-Symbol aus. Drücken Sie diesen anschließend kurz, um das Untermenü zu öffnen.
 - ▶ Das Untermenü „Wochentimer“ öffnet sich und im Display erscheinen folgende Menüpunkte:
- Timer Nr [1 - 14]
 - ▶ Jedem Ein-/Ausschaltvorgang können Sie eine beliebige Timer-Nummer von 1 - 14 zuordnen.
- Wochentage [Mo - So]
 - ▶ Hier stellen Sie ein, an welchen Wochentagen das aktuelle Programm ausgeführt werden soll. Es stehen alle Tage von Montag bis Sonntag einzeln, oder Gruppen aus Montag bis Sonntag, Montag bis Freitag und Samstag bis Sonntag zur Verfügung.
- Startzeit [00:00 - 23:59]
 - ▶ Stellen Sie hier die Uhrzeit ein, zu welcher sich das Programm starten soll.
- Endzeit [00:00 - 23:59]
 - ▶ Stellen Sie hier die Uhrzeit ein, zu welcher sich das Programm ausschalten soll.



Die maximale Laufzeit welche im Technikermenü eingestellt wurde, begrenzt hier die Zeitspanne zwischen Ein- und Ausschaltzeit. Korrigieren Sie gegebenenfalls die Einstellung für die maximale Laufzeit im Technikermenü.



- Benutzerprogramme [Finnisch, Kombi, 1 -5]
 - ▶ Wählen Sie hier die zu startende Betriebsart. Sie haben die Wahl zwischen finnischer Sauna (nur Heizung), Kombi-Sauna (Heizung + Verdampfer) oder eines der 5 programmierbaren Benutzerprogramme.
 - Aktiviert [Ein / Aus]
 - ▶ Aktivieren oder deaktivieren Sie hier einzelne Ein-/Ausschaltvorgänge.
2. Verlassen Sie das Wochentimermenü um die Programme aktiv zu schalten:
- ▶ Im Infobereich des Displays erscheint das Wochentimer-Symbol.
 - ▶ Der Drehwähler **[1]** beginnt langsam zu blinken.



Wird die Betriebsart Standby für Fernwirken gestartet, werden alle Wochentimer Programme für diese Dauer deaktiviert. Wird die Betriebsart Standby für Fernwirken wieder verlassen, werden alle vorher aktivierten Programme wieder aktiv.



Der Hauptschalter **[2]** muss eingeschaltet bleiben, damit der Wochentimer funktioniert.



10.12. Kindersicherung

Die Saunasteuerung ist mit einer Kindersicherung ausgestattet, welche verhindert, dass Kinder ungewollt und unbeaufsichtigt den Saunaofen einschalten können.

- Zum Aktivieren der Kindersicherung, wählen Sie mit dem Drehwähler **[1]** das Kindersicherung-Symbol aus. Drücken Sie diesen anschließend kurz, um die Kindersicherung zu aktivieren.
 - ▶ Im Display erscheint das Symbol für die Kindersicherung und die Bedienung der Saunasteuerung ist gesperrt.
- Zum Deaktivieren der Kindersicherung, drücken Sie auf den Drehwähler **[1]** und drehen Sie ihn gleichzeitig nach rechts.



10.13. Alles Aus

Um alle eingeschalteten Funktionen und Verbraucher (inklusive DMX-Farblicht) auf einmal auszuschalten, wählen Sie mit dem Drehwähler **1** das Alles Aus-Symbol aus. Drücken Sie diesen anschließend kurz, um alle Funktionen zu deaktivieren. Einstellungen bezüglich des Wochentimer bleiben erhalten.



Wenn Sie ein DMX-Farblichtgerät verwenden, empfiehlt es sich, die Alles Aus Funktion nach jedem Saunagang zu verwenden, denn selbst nach dem Ausschalten über den Hauptschalter **2** können einige DMX-Farblichtgeräte weiterlaufen.



10.14. Benutzerprogramme

Mit Hilfe der Benutzerprogramme können bevorzugte Sauna-Einstellungen gespeichert und wieder abgerufen werden. Es stehen 5 voreingestellte Benutzerprogramme zur Verfügung, die nach den Vorstellungen der Anwender abgeändert werden können.

Die Einstellungen folgender Funktionen werden in den Benutzerprogrammen abgespeichert:

- Temperatur
- Feuchte
- Zusatzausgang
- Licht
- Lüfter
- Farblicht

Voreingestellte Benutzerprogramme:

Folgende Benutzerprogramme sind bereits vordefiniert:

Benutzer- Programm	Temperatur °C	Feuchte* %	Licht	AUX
1	90	0	Ein	Aus
2	70	0	Ein	Aus
3	50	60	Ein	Aus
4	60	35	Ein	Aus
5	0	0	Ein	7

* nur bei aktiviertem Verdampfer



Benutzerprogramm aufrufen:

3. Wählen Sie mit dem Drehwähler **[1]** das Benutzerprogramme-Symbol aus. Drücken Sie diesen anschließend kurz, um das Untermenü zu öffnen.
 - ▶ Das Untermenü „Benutzerprogramme“ öffnet sich und im Display erscheint unterstrichen das zuletzt verwendete Benutzerprogramm.
4. Drücken Sie den Drehwähler erneut, um ein anderes Benutzerprogramm zu verwenden.
 - ▶ Der Wert ist nun grün hinterlegt und kann verändert werden.
 - ▶ Es stehen 5 Benutzerprogramme zur Verfügung [1-5]
 - ▶ Zum Bestätigen der Einstellung den Drehwähler erneut drücken.
5. Den Cursor (Unterstrich) nach rechts auf „Start“ stellen, und den Drehwähler kurz drücken.
 - ▶ Das Benutzerprogramm wird gestartet.



Eigene Benutzerprogramme erstellen:

Sie können Benutzerprogramme nach Ihren Vorstellungen erstellen. Dabei wird ein voreingestelltes Benutzerprogramm überschrieben. Führen Sie dazu folgende Schritte durch:

1. Starten Sie alle Funktionen, die mit dem Benutzerprogramm eingeschaltet werden sollen.
2. Wählen Sie mit dem Drehwähler **[1]** das Benutzerprogramme-Symbol aus. Drücken Sie diesen anschließend kurz, um das Untermenü zu öffnen.
3. Den Cursor (Unterstrich) nach links auf „Speichern“ stellen, und den Drehwähler kurz drücken.
 - ▶ Die Einstellungen wurden im gewählten Benutzerprogramm gespeichert.
 - ▶ Zum Ausschalten von Benutzerprogrammen, verwenden Sie die Alles Aus-Funktion.



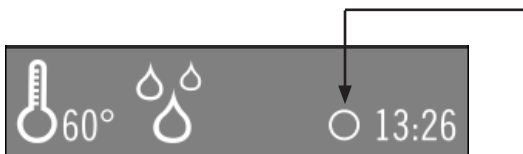
10.15. Zusatzausgang

Am Zusatzausgang der Saunasteuerung können z.B. Infrarot-Strahler oder Infrarot-Wärmeplatten angeschlossen werden.

Intensitätsregelung bei aktivierter Dimmfunktion

Wenn die Dimmfunktion des Zusatzausgangs aktiviert ist, können Sie die Leistung des Zusatzgeräts auf einer Skala von 1 bis 7 einstellen. Der Wert 7 entspricht der vollen Leistung.

1. Wählen Sie mit dem Drehwähler **1** das Zusatzausgang-Symbol aus. Drücken Sie diesen anschließend kurz zum Bestätigen.
 - ▶ Das Untermenü „Zusatzausgang“ öffnet sich und im Display erscheint unterstrichen der eingestellte Intensitäts-Wert für den Zusatzausgang.
2. Zum Verändern des Wertes den Drehwähler drücken.
 - ▶ Der Wert ist nun grün hinterlegt und kann verändert werden.
 - ▶ Zum Bestätigen der Einstellung den Drehwähler erneut drücken.
3. Den Cursor (Unterstrich) nach rechts auf „Ein“ stellen, und den Drehwähler kurz drücken.
 - ▶ Der Zusatzausgang wird eingeschaltet.



- ▶ Im Infobereich des Displays erscheint das Zusatzausgang-Symbol.

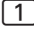
Zusatzausgang ausschalten

4. Zum Ausschalten des Zusatzausgangs Punkt 1. und 3. wiederholen.
 - ▶ Anstelle von „Ein“ wird „Aus“ angezeigt.
 - ▶ Zum Verlassen des Untermenüs den Cursor auf das „Zurück-Symbol“ links stellen und mit dem Drehwähler bestätigen.



Intensitätsregelung bei deaktivierter Dimmfunktion

Wenn die Dimmfunktion des Zusatzausgangs deaktiviert ist, können Sie das Zusatzgerät nur ein- und ausschalten. Das Gerät läuft immer mit voller Leistung.


- Wählen Sie mit dem Drehwähler  das Zusatzausgang-Symbol aus. Drücken Sie diesen anschließend kurz um den Zusatzausgang ein- oder auszuschalten.
 - ▶ Im Infobereich des Displays erscheint das Zusatzausgang-Symbol.



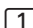
10.16. Standby für Fernwirken aktivieren

Laut EN 60335-2-53 müssen Saunasteuerungen mit Fernstartfunktion manuell auf die Betriebsart „Standby für Fernwirken“ gestellt werden. Diese Aktivierung muss nach jedem Fernstart- und Fernstopp-Vorgang neu erfolgen.

Standby für Fernwirken starten:

- Wählen Sie mit dem Drehwähler  das Fernstart-Symbol aus. Drücken Sie diesen anschließend kurz, um die Betriebsart „Standby für Fernwirken“ zu starten.
 - ▶ Die Saunasteuerung schaltet alle zuvor aktivierten Funktionen ab und im Display erscheint das Fernstartsymbol.
 - ▶ Die Saunasteuerung ist nun bereit um über ein Fernstartsignal gestartet und gestoppt zu werden. Zeitgleich ist keine manuelle Bedienung der Saunasteuerung möglich.
 - ▶ Nach erfolgtem Fernstart- und Fernstopp erlischt das Fernstart-Symbol und die Aktivierung der Betriebsart muss erneut vorgenommen werden.

Standby für Fernwirken abbrechen:

- Zum Deaktivieren des Standby für Fernwirken, drücken Sie auf den Drehwähler  und drehen Sie ihn gleichzeitig nach rechts.



10.17. Farblicht

Farblicht starten:

- Wählen Sie mit dem Drehwähler [1] das Farblicht-Symbol aus. Drücken Sie diesen anschließend kurz, um das Untermenü zu öffnen.
 - ▶ Das Untermenü „Farblicht“ öffnet sich und im Display erscheinen folgende Menüpunkte:
- Lichtgruppe [1 - 4]
 - ▶ Es können 4 Lichtgruppen mit unterschiedlichen Einstellungen konfiguriert und betrieben werden. Zum Beispiel läuft auf Lichtgruppe 1 die Hinterbankbeleuchtung, auf Lichtgruppe 2 das Deckenfarblicht, usw.
- Lichtmodus
 - ▶ Wählen Sie hier die Farbe oder den Farbverlauf der gewählten Lichtgruppe aus.
- Intensität [0 - 100%]
 - ▶ Wählen Sie hier die Intensität der gewählte Lichtgruppe aus.
- Status [Ein / Aus]
 - ▶ Aktivieren oder deaktivieren Sie hier die gewählte Lichtgruppe.
 - ▶ Wurde eine Lichtgruppe aktiviert, erscheint im Infobereich des Displays das Farblicht-Symbol.

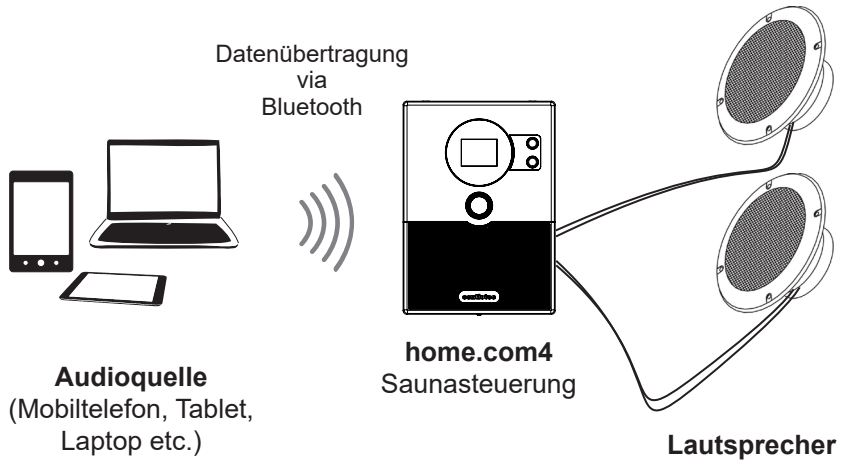


Zum Ausschalten aller Farblichtgruppen, verwenden Sie am Besten die Alles Aus-Funktion.



10.18. Musik

Der Musik-Player der Saunasteuerung ermöglicht, Musik in der Sauna abzuspielen. Die Musik wird dabei über eine Bluetooth-Verbindung von einem bluetooth-fähigem Gerät (=Audio-Quelle) auf die Saunasteuerung übertragen. Als Audio-Quelle können alle bluetooth-fähigen Geräte, wie die meisten Mobiltelefone, Tablets, Notebooks etc., verwendet werden. Der Verstärker ist in der Saunasteuerung bereits integriert.



Erstmalige Verbindung herstellen (Koppeln, Pairing)

1. Schalten Sie die Audio-Quelle (Mobiltelefon, Tablet etc) ein.
2. Schalten Sie die Saunasteuerung ein.
3. Schalten Sie die Bluetooth-Funktion der Audio-Quelle ein.
 - ▶ Die meisten Geräte suchen automatisch nach anderen Bluetooth-Geräten in der Umgebung und zeigen diese an.
 - ▶ Die Saunasteuerung wird an der Audio-Quelle mit der Bezeichnung "home.com4 XXXX" angezeigt.
 - ▶ XXXX ist eine Saunasteuerungsabhängige Kennnummer (z.B. F39D)
 - ▶ Sollte nach einem Kennwort gefragt werden, verwenden Sie „0000“.



Wenn Ihre Audio-Quelle nicht automatisch nach Bluetooth-Geräten in der Umgebung sucht, starten Sie die Suche manuell, z.B. in dem Sie „Nach Geräten suchen“ oder eine ähnlich benannte Funktion wählen.

4. Wählen Sie "home.com4" aus der Geräteliste aus, die an der Audio-Quelle angezeigt wird.
 - ▶ Die erstmalige Bluetooth-Verbindung zwischen Audio-Quelle und Saunasteuerung wird hergestellt (= Koppeln/Pairing).
 - ▶ Das wave.com4 sound ist verbunden und betriebsbereit wenn im Infobereich des Displays das Bluetooth-Symbol erscheint.



5. Spielen Sie Musik mit dem Audio-Player Ihrer Audio-Quelle ab.
 - ▶ Die Musik wird über die Lautsprecher, die an der Saunasteuerung angeschlossen sind, ausgegeben.



Während der Musikwiedergabe telefonieren

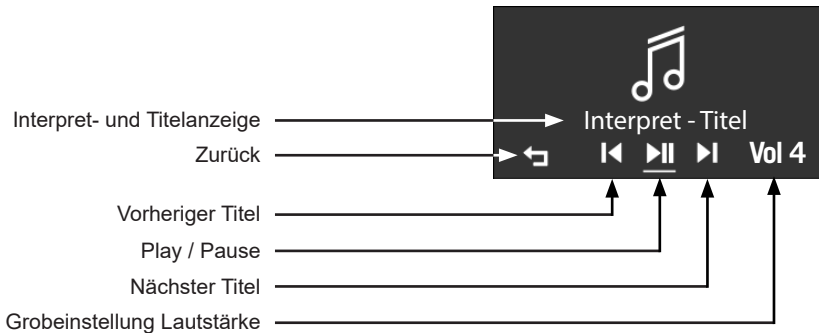
Wenn Sie eine Rufnummer wählen oder einen Anruf erhalten, wird die Musikwiedergabe automatisch unterbrochen und nach dem Telefonat wieder fortgesetzt.

Da die Saunasteuerung kein Mikrofon besitzt, müssen Sie die Tonausgabe auf Ihr Mobiltelefon umschalten. Beachten Sie dazu die Bedienungsanleitung Ihres Geräts.



Musik über Saunasteuerung bedienen:

- Wählen Sie mit dem Drehwähler **1** das Musik-Symbol aus. Drücken Sie diesen anschließend kurz, um das Untermenü zu öffnen.
 - ▶ Das Menü "Musik" öffnet sich und im Display erscheinen unten gezeigte Bedienelemente:
 - Die **Interpreten- und Titelanzeige** zeigt Infos zum aktuell gespielten Musikstück an. Ist keine Audio-Quelle über Bluetooth verbunden, wird hier „nicht verbunden“ angezeigt.
 - Wählen Sie **Zurück** um das Musik-Menü zu verlassen. Wird gerade ein Musikstück abgespielt, läuft dieses im Hintergrund weiter.
 - Wählen Sie **Vorheriger Titel** um in der Playlist einen Titel zurück zu springen.
 - Drücken Sie **Play / Pause** um die Musikwiedergabe zu starten oder zu unterbrechen.
 - Wählen Sie **Nächster Titel** um in der Playlist einen Titel nach vor zu springen.
 - Die **Grobeinstellung der Lautstärke** kann an der Saunasteuerung in 4 Stufen vorgenommen werden. Die Feineinstellung erfolgt an der Audio-Quelle.



10.19. BUS-Anbindung (RS485-Schnittstelle)

- Bei Anbindung an die MySentio App nutzen Sie die Bedienelemente der App.
- Bei der Anbindung an Ihr Haus-Bus-System nutzen Sie die Befehle der RS485-Schnittstellen-Dokumentation.

11. Bluetooth-App

Sämtliche Hauptfunktionen der Saunasteuerung „home.com4“ können per Bluetooth-App bedient und gesteuert werden.

Laden Sie dazu die App „home.com4“ aus dem App-Store. Die App ist für iOS sowie Android kostenlos erhältlich.

Je nach Gerät beträgt die Reichweite bis zu 30 m im freien Feld. Dabei kann das Bedienen der App sowie das Streamen der Musik von ein und dem selben Gerät erfolgen.

Um sich mit der home.com4 Steuerung zu verbinden aktivieren Sie Bluetooth auf Ihrem Gerät und starten Sie die „home.com4“-App.

Es wird automatisch nach verfügbaren „home.com4“ Geräten gesucht.



home.com4 Icon



Apple / iOS



Android

DE



WARNUNG!

Brandgefahr

Verwenden Sie die App nur, wenn Sie sich in Sichtweite des Saunaofens befinden und sicherstellen können, dass KEINE brennbaren Gegenstände auf dem Saunaofen liegen!

11.1. Secure Pairing Bluetooth

Um ungewollten Fremdzugriffen per Bluetooth vorzubeugen, können die Funktionen im Technikermenü (Seite 35) separat aktiviert werden.

Bei aktivierter Funktion „Secure Pairing App“ und/oder „Secure Pairing Music“ ist bei erstmaligen Verbindungsaufbau eine Quittierung (Drücken des Drehreglers) an der Steuerung notwendig. Die Aufforderung dafür erscheint im Display der Steuerung. Wurde die Verbindung erfolgreich quittiert, wird die Verbindung aufgebaut und die Kennung des Gerätes dauerhaft in der Steuerung gespeichert. Eine erneute Quittierung ist mit diesem Gerät somit nicht erforderlich.

Bei Bedarf können alle gespeicherten Verbindungen/Geräte im Technikermenü unter dem Punkt „Delete Paired Devices“ entfernt werden.

12. Reinigung und Wartung

12.1. Reinigung

ACHTUNG!

Schäden am Gerät

Die Saunasteuerung ist spritzwassergeschützt, trotzdem kann direkter Kontakt mit Wasser das Gerät beschädigen.

- Tauchen Sie das Gerät NIEMALS in Wasser.
- Übergießen Sie das Gerät nicht mit Wasser.
- Reinigen Sie das Gerät nicht zu feucht.

1. Tränken Sie ein Reinigungstuch in milder Seifenlauge.
2. Drücken Sie das Reinigungstuch gut aus.
3. Wischen Sie das Gehäuse der Saunasteuerung vorsichtig ab.

12.2. Wartung

Die Saunasteuerung ist wartungsfrei.

13. Entsorgung



- Entsorgen Sie die Verpackungsmaterialien nach den gültigen Entsorgungsrichtlinien.
- Altgeräte enthalten wiederverwendbare Materialien, aber auch schädliche Stoffe. Geben Sie Ihr Altgerät deshalb auf keinen Fall in den Restmüll, sondern entsorgen Sie das Gerät nach den örtlich geltenden Vorschriften.


14. Problemlösung



14.1. Fehlermeldungen

Die Saunasteuerung ist mit einer Diagnosesoftware ausgestattet, die beim Einschalten und im Betrieb die Systemzustände überprüft. Sobald die Diagnosesoftware einen Fehler erkennt, schaltet die Saunasteuerung den Saunaofen ab.

Fehler werden im Display als Fehlernummer angezeigt. Zusätzlich wird ein wiederkehrender Warnton ausgegeben.

Schalten Sie die Saunasteuerung mit dem Ein/Aus-Schalter  aus und beheben Sie den Fehler bevor Sie die Saunasteuerung wieder einschalten.

Die Tabelle auf der nächsten Seite beschreibt die möglichen Fehler und deren Ursache. Bei Bedarf teilen Sie die Fehlernummer Ihrem Kundendienst mit.

Treten mehrere Fehler gleichzeitig auf, werden die Fehlernummern durch ein * getrennt.

14.2. Wassermangelanzeige



Die Saunasteuerung verfügt im Kombi-Betrieb über eine automatische Wassermangel-Abschaltung, sofern Ihr Kombi-Ofen dies unterstützt.

Ist der Wassertank des Verdampfers leer, wird dies durch einen wiederkehrenden Warnton, dem Symbol für die Feuchte und dem Text "**Wasser nachfüllen**" im Display signalisiert. Gleichzeitig schaltet sich der Verdampfer ab.

- Füllen Sie Wasser in den Wassertank des Verdampfers.
 - ▶ Nach kurzer Zeit erlischt die Warnung und der Verdampfer beginnt wieder zu heizen.



Zwischen dem Befüllen des Verdampfers und dem Erlischen der Warnung können einige Sekunden vergehen, da die Detektierung über Temperaturschalter im Verdampfer erfolgt.

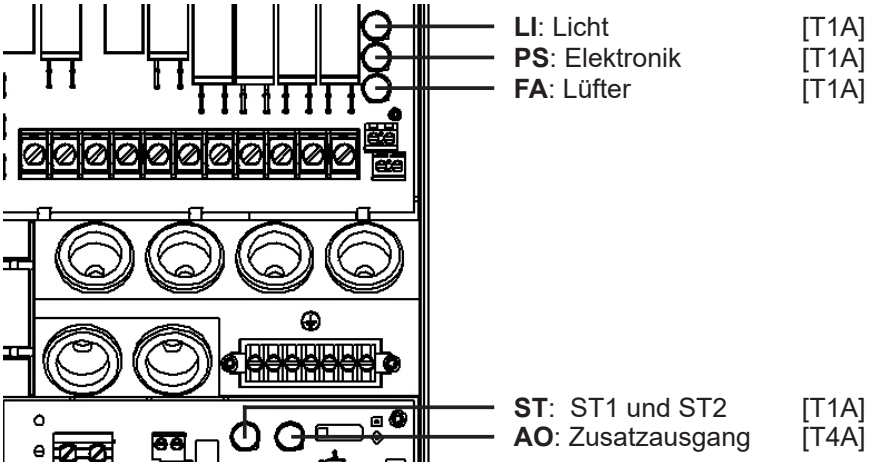
Fehler	Beschreibung	Ursache / Behebung
*01	Sicherheitsabschaltung	<p>Ein Gegenstand liegt auf dem Saunaofen. Entfernen Sie diesen bevor Sie den Saunaofen wieder in Betrieb nehmen.</p> <p>Ist keine Sicherheitsabschaltung montiert, beachten Sie „5.7. Sicherheitsabschaltung“ auf Seite 23 .</p>
*02	Übertemperatur-Sicherung	<p>Die maximale Temperatur von 139 °C über dem Ofen wurde überschritten. Überprüfen Sie die Übertemperatursicherung (STB).</p>
*04F1	Ofenfühler-Fehler	<p>Defekter Ofenfühler, schlechter Kontakt oder Kurzschluss. Überprüfen Sie den Ofenfühler (F1).</p>
*05	Folienfühler-Fehler	<p>Defekter Folienfühler, schlechter Kontakt oder Kurzschluss. Überprüfen Sie den Folienfühler (FF).</p>
*06F2	Bankfühler-Fehler	<p>Defekter Bankfühler, schlechter Kontakt oder Kurzschluss. Überprüfen Sie den Bankfühler (F2).</p>
*07	Feuchtefühler-Fehler	<p>Defekter Feuchtefühler, schlechter Kontakt oder Kurzschluss. Überprüfen Sie den Feuchtefühler (FTS2).</p>
*08	Folienfühler-Übertemperatur	<p>Die maximale Folientemperatur von 100 °C wurde überschritten. Schalten Sie den Zusatzausgang ab.</p>

Sonstige Fehler	Ursache / Behebung
Keine Funktion	Zuleitung L1 und Sicherung PS überprüfen.
Soll-Temperatur wird nicht erreicht	<ul style="list-style-type: none"> ● Bankfühler im Techniker Menü nicht aktiviert (wenn vorhanden) ● Ofenleistung zu gering / Kabinenvolumen zu groß ● Zu- und Abluft überprüfen ● Leistungsaufnahme von U, V und W überprüfen.
Farblicht läuft weiter obwohl Steuerung ausgeschaltet ist	Verwenden Sie die „Alles Aus“ Funktion um das Farblicht auszuschalten.
Zusatzausgang lässt sich nicht dimmen	Dimmfunktion im Techniker Menü aktivieren (dimnable)
Betriebsart schaltet ohne ersichtlichen Grund ab	Einstellung der Laufzeit überprüfen
Fernstart reagiert nicht	<ul style="list-style-type: none"> ● Steuerung muss sich in Betriebsart "Standby für Fernwirken" befinden (siehe „8.17. Standby für Fernwirken aktivieren“ auf Seite 48) ● Verkabelung von RS1 und RS2 überprüfen.
Uhrzeit fängt immer bei 00:00 an	Batterie leer (siehe „Batterie“ auf Seite 60)

14.3. Sicherungen

Im Anschlussbereich der Saunasteuerung befinden sich Sicherungen für Licht, Lüfter, Leistungserweiterung, Zusatzausgang und Elektronik.

Hierbei handelt es sich um träge Mikrosicherungen. Diese können mit der Artikelnummer PRO-FUSE bestellt werden. Zum Tauschen der Sicherung den Sicherungseinsatz gerade abziehen und die neue Sicherung einsetzen.



14.4. Batterie

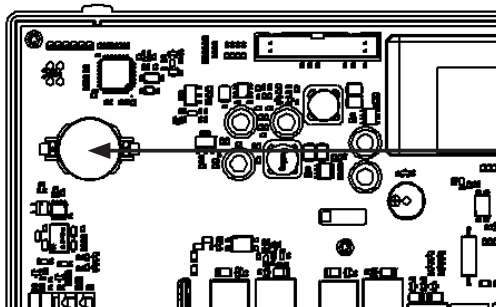
Damit bei einem Stromausfall die Einstellungen bezüglich Uhr und Datum nicht verloren gehen, befindet sich im Basismodul eine Batterie. Diese muss bei Bedarf ersetzt werden, sollte die Uhr nicht mehr korrekt laufen.



WARNUNG!

Stromschlag

Vor dem Öffnen der Gehäuseabdeckung die Saunasteuerung allpolig vom Netz trennen und gegen Wiedereinschalten sichern.



Batterie: CR 2032

15. Technische Daten

Umgebungsbedingungen

Lagertemperatur:	-25 °C bis +70 °C
Umgebungstemperatur:	-10 °C bis +40 °C
Luftfeuchtigkeit:	max. 95%

Saunasteuerung

Abmessungen (B x H x T):	210 x 294 x 53
Schaltspannung / dreiphasig 3N:	400 V AC
Frequenz:	50 Hz
Leistungsaufnahme Standby:	8 W
Schaltleistung / Heizgerät:	3 x 3,5 kW
Schaltstrom pro Phase / Heizgerät:	16 A
Schaltleistung / Verdampfer:	3,5 kW
Schaltstrom / Verdampfer:	16 A
Schaltleistung / Zusatzausgang (dimmbar)*	500 W
Schaltleistung / Zusatzausgang (schaltbar)*	3,5 kW
Schaltstrom / Zusatzausgang*:	16 A
Nennspannung:	230 V
Schutzart (spritzwassergeschützt):	IPX4
Anschluss an das Versorgungsnetz als Festverdrahtung (Festanschluss)	

DE

Licht

Schaltleistung:	100 W
Sicherung:	1A T

Lüfter

Schaltleistung:	100 W
Sicherung:	1A T

Einstellbereiche

Temperatur:	30 °C bis 110 °C
Feuchte:	0 % bis 100 %

Dabei ist die maximal einstellbare Feuchte von der Saunatemperatur abhängig. Je höher die Saunatemperatur, desto niedriger ist der maximal einstellbare Feuchtwert.

Thermische Sicherheit

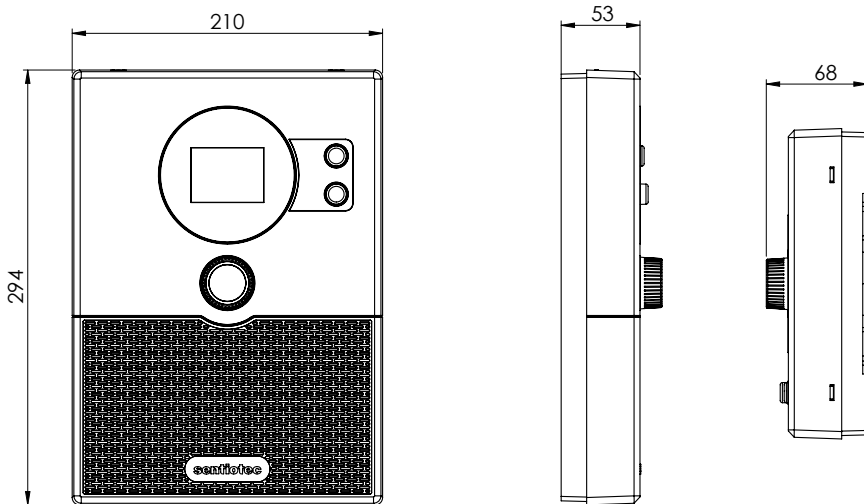
- Ofenfühler mit Übertemperatur-Sicherung (139 °C Abschalttemperatur)
- Automatische Heizzeitbegrenzung einstellbar (6 h, 12 h, 18 h, 24 h)*
- Wahlweise Ein-Fühlerbetrieb oder Zwei-Fühlerbetrieb

Anschlussleitungen

Versorgungsleitung:	min. 5 x 2,5 mm ²
Ofenzuleitung (temperaturbeständig bis 150 °C):	min. 2,5 mm ²
Fühlerleitungen (temperaturbeständig bis 150 °C):	min. 0,5 mm ²
Lichtleitung:	min. 1,5 mm ²
Lüfterleitung:	min. 1,5 mm ²

Erweiterungsmodul

Verstärkerleistung (@ 4 Ω):	2 x 3 W
Lautsprecher Musikbelastbarkeit:	~ 25 W
Lautsprecher Impedanz:	4 Ω oder 8 Ω
Bluetooth Profil:	Bluetooth 4.0 Class 2
Bluetooth Reichweite:	20 - 30 m
DMX Profil:	DMX-512-A



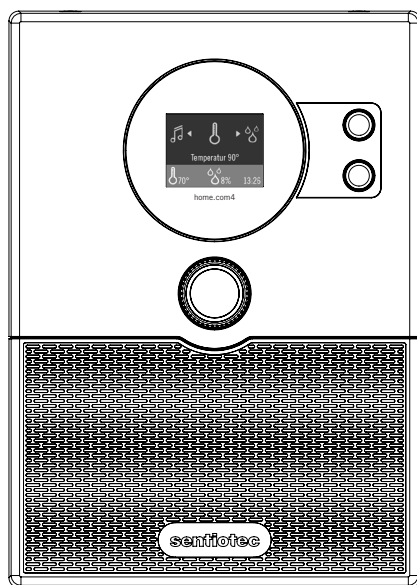
Commande de sauna

home.com4

avec interface RS485

INSTRUCTIONS DE MONTAGE ET MODE D'EMPLOI

Français



FR

home.com4 BLACK RS485

1-052-984 / HC4-B-RS485

home.com4 WHITE RS485

1-052-985 / HC4-W-RS485

Table des matières

1. Concernant ces instructions	5
2. Remarques importantes pour votre sécurité	6
2.1. Usage conforme	6
2.2. Consignes de sécurité pour le monteur	7
2.3. Consignes de sécurité pour l'utilisateur	8
3. Description du produit	9
3.1. Contenu de la livraison	9
3.2. Accessoires en option	9
3.3. Fonctions du produit	9
3.4. Modes de fonctionnement du sauna	11
3.5. Modes de fonctionnement des sondes	11
4. Montage	13
4.1. Monter l'appareil de commande	13
4.2. Passages des câbles	16
4.3. Montage de la sonde de poêle F1 avec dispositif de protection contre la surtempérature	17
4.4. Montage de la sonde de banc F2 (en option)	18
4.5. Montage de la sonde de température-humidité FTS2 (en option)	18
4.6. Montage de la sonde de film (en option)	18
5. Branchements électriques	19
5.1. Câble d'alimentation, poêle et évaporateur	21
5.2. Éclairage de cabine	21
5.3. Ventilateur	21
5.4. Sonde de poêle F1	22
5.5. Sonde de banc F2 (en option)	22
5.6. Sonde de température-humidité FTS2 (en option)	22
5.7. Dispositif d'arrêt de sécurité	23
5.8. Sortie supplémentaire	23

5.9.	Sonde de film (en option)	23
5.10.	Extension de puissance (en option)	24
5.11.	Activation à distance (en option).....	24
5.12.	Sortie haut-parleur (en option).....	24
5.13.	Sortie DMX (en option)	25
5.14.	Connexion au BUS (interface RS485).....	26
5.15.	Fin de l'installation.....	26
6.	Exécution des contrôles	27
7.	Schéma de raccordement	28
7.1.	Schéma de raccordement du module de base à 230 V / 400 V.....	28
7.2.	Schéma de raccordement pour module de base à basse tension.....	29
7.3.	Schéma de raccordement du module d'extension 230 V.....	30
7.4.	Schéma de raccordement du mode d'extension à basse tension.....	31
8.	Éléments de commande	32
9.	Mise en service	33
9.1.	Menu de configuration.....	33
10.	Utilisation	36
10.1.	Allumage de l'éclairage (éclairage de nettoyage).....	36
10.2.	Mise en marche de l'appareil de commande.....	36
10.3.	Mode sauna.....	37
10.4.	Mode mixte	38
10.5.	Programme de séchage final.....	39
10.6.	Éclairage de cabine	39
10.7.	Ventilateur.....	40
10.8.	Démarrage différé.....	40

10.9.	Durée	41
10.10.	Mode ECO.....	42
10.11.	Calendrier hebdomadaire.....	43
10.12.	Protection enfants.....	44
10.13.	Tout désactiver.....	45
10.14.	Programmes utilisateur.....	45
10.15.	Sortie supplémentaire.....	47
10.16.	Activation du mode de veille de l'actionnement à distance.....	48
10.17.	Lumière colorée.....	49
10.18.	Musique.....	50
10.19.	Connexion au BUS (interface RS485).....	52
11.	App Bluetooth.....	53
11.1.	Secure Pairing Bluetooth.....	53
12.	Nettoyage et entretien.....	54
12.1.	Nettoyage.....	54
12.2.	Entretien.....	54
13.	Élimination.....	54
14.	Dépannage.....	55
14.1.	Messages d'erreur.....	55
14.2.	Affichage du manque d'eau.....	55
14.4.	Batterie.....	58
14.3.	Fusibles.....	58
15.	Caractéristiques techniques.....	59

1. Concernant ces instructions

Lisez attentivement les instructions de montage et le mode d'emploi présents et conservez-les à proximité de la commande de sauna. Vous pouvez ainsi consulter à tout moment des informations concernant son utilisation et relatives à votre sécurité.



Ces instructions de montage et ce mode d'emploi sont également disponibles dans la zone de téléchargement de notre site Internet www.sentiotec.com/downloads.

Symboles d'avertissement

Dans les instructions de montage et le mode d'emploi, un avertissement précède les activités représentant un danger. Conformez-vous impérativement à ces avertissements. Vous éviterez ainsi des dommages matériels et des blessures qui, dans le pire des cas, peuvent être mortelles.

Ces avertissements utilisent des termes clés qui ont la signification suivante :



DANGER !

Si vous ne respectez pas cet avertissement, il y a un risque de blessures graves, voire mortelles.



AVERTISSEMENT !

Si vous ne respectez pas cet avertissement, il y a un risque éventuel de blessures graves, voire mortelles.



PRUDENCE !

Si vous ne respectez pas cet avertissement, il y a un risque éventuel de blessures légères.

ATTENTION !

Ce terme clé vous avertit de dommages matériels éventuels.

Autres symboles



Ce symbole désigne les conseils et indications utiles.

2. Remarques importantes pour votre sécurité

Les commandes de sauna de la série home.com4 sont conçues selon des règles techniques de sécurité reconnues. Cependant, des dangers peuvent survenir lors de l'utilisation. C'est pourquoi vous devez suivre les consignes de sécurité suivantes et les avertissements spécifiques des différents chapitres. Conformez-vous aux consignes de sécurité des appareils raccordés.

2.1. Usage conforme

Les commandes de sauna de la série home.com4 servent exclusivement à la commande et au réglage des fonctions conformément aux données techniques.

Les commandes de sauna de la série home.com4 doivent uniquement être utilisées pour la commande et le réglage d'un poêle de sauna ayant satisfait au contrôle selon le paragraphe 19.101 de la norme EN 60335-2-53. Si le four ne répond pas à cette exigence, des précautions de sécurité appropriées doivent être prises (par exemple : dispositif d'arrêt de sécurité, voir 5.7 page 23).

Les commandes de sauna de la série home.com4 doivent uniquement être utilisées pour la commande et le réglage de 3 cycles de chauffage avec une puissance maximale de 3,5 kW par cycle. La puissance maximale de l'évaporateur est de 3,5 kW. La puissance maximale de la sortie supplémentaire est de 3,5 kW.

Toute autre utilisation est considérée comme un usage non conforme. Un usage non conforme peut endommager le produit et provoquer de graves blessures, voire la mort.

2.2. Consignes de sécurité pour le monteur

- Seul un électricien spécialisé ou une personne ayant une qualification similaire est habilité à procéder au montage.
- Les travaux sur la commande de sauna doivent être effectués uniquement lorsque l'appareil n'est pas sous tension.
- Un dispositif de coupure totale du circuit sur tous les pôles (catégorie de surtension III) doit être prévu par le client.
- La commande de sauna doit être montée en dehors de la cabine de sauna à une hauteur d'environ 1,70 m ou conformément aux recommandations du fabricant de la cabine. La température ambiante doit être comprise entre -10 °C et 40 °C.
- La sonde de poêle doit être posée de sorte à ne pas être influencée par l'air entrant.
- La section du câble d'alimentation du poêle doit être d'au moins 2,5 mm² et pouvoir résister à une température de 150 °C.
- Respectez également les dispositions légales du lieu d'installation.
- En cas de problèmes insuffisamment traités dans les instructions de montage, adressez-vous à votre fournisseur pour votre propre sécurité.

2.3. Consignes de sécurité pour l'utilisateur

- La commande de sauna ne doit pas être utilisée par les enfants de moins de 8 ans.
- La commande de sauna peut être utilisée par les enfants de plus de 8 ans, par des personnes ayant des capacités psychiques, sensorielles ou mentales limitées et par des personnes manquant d'expérience et de connaissances aux conditions suivantes :
 - lorsqu'ils sont surveillés ;
 - lorsque l'utilisation en toute sécurité leur a été montrée et qu'ils comprennent les dangers qui peuvent survenir.
- Les enfants ne doivent pas jouer avec la commande de sauna.
- Les enfants de moins de 14 ans ne peuvent nettoyer la commande de sauna que sous surveillance.
- Pour des raisons de santé, n'utilisez pas la cabine lorsque vous êtes sous l'influence de l'alcool, de médicaments ou de drogues.
- Assurez-vous qu'aucun objet inflammable ne se trouve sur le poêle de sauna avant de mettre en marche la commande.
- Assurez-vous qu'aucun objet inflammable ne se trouve sur le poêle avant d'activer la fonction de démarrage différé ou le mode veille pour l'activation à distance.
- Assurez-vous qu'aucun objet inflammable ne se trouve sur ou devant l'émetteur infrarouge avant de mettre en marche la commande du sauna.
- Assurez-vous qu'aucun objet inflammable ne se trouve sur ou devant l'émetteur infrarouge avant d'activer la fonction de démarrage différée ou le mode veille pour l'activation à distance.
- Pour votre sécurité, adressez-vous à votre fournisseur si le mode d'emploi ne traite pas exhaustivement de certains problèmes.

3. Description du produit

3.1. Contenu de la livraison

- Commande de sauna home.com4
- Sonde de poêle avec dispositif de protection contre la surtempérature intégré
- Câbles de sondes
- Matériel de montage
 - 4 x vis pour aggloméré 3 x 25 mm tête ronde

3.2. Accessoires en option

- Sonde de banc (1-009-231/O-F2), câbles de sondes 1,5 m
- Sonde de température-humidité (1-010-081/O-FTS2), câbles de sondes 6 m
- Sonde de film (1-014-445/P-ISX-FF), câbles de sondes 3 m
- Extension de puissance (1-008-779/O-S2-18, 1-009-280/O-S2-30)
- Dispositif d'arrêt de sécurité (SFE-xxxxx)

3.3. Fonctions du produit

La commande de sauna home.com4 dispose des fonctions suivantes :

- Réglage des poêles mixtes avec une puissance de chauffage de 10,5 kW maximum et une puissance d'évaporation de 3,5 kW maximum dans la plage de température de 30 °C à 110 °C et une plage d'humidité de 0 à 100 %.
- Avec un module d'extension de puissance, la puissance de commutation maximale peut être augmentée de 10,5 kW à 18 kW ou 30 kW.
- Activation d'un éclairage de cabine (jusqu'à 100 W)
- Activation d'un ventilateur (jusqu'à 100 W)
- Fonction de démarrage différé (jusqu'à 6 heures)
- Programmes utilisateur
À l'aide des programmes utilisateur, vous pouvez enregistrer vos réglages de sauna préférés afin de pouvoir y accéder plus facilement. 5 programmes utilisateur pré-réglés sont à la disposition de l'utilisateur et peuvent être modifiés à sa guise.
- Limitation automatique de la durée de chauffage
La durée de chauffage maximale paramétrable peut être modifiée en 6 h, 12 h, 18 h ou 24 h.

- Dispositif de protection contre la surtempérature
Le dispositif de protection contre la surtempérature se trouve dans le boîtier de la sonde de poêle. Si, en raison d'un défaut, le poêle de sauna continue à chauffer une fois la température souhaitée atteinte, le dispositif de protection contre la surtempérature éteint le poêle automatiquement à environ 139 °C.
- Horloge en temps réel avec programmateur hebdomadaire
- Programme de séchage final
Après le mode mixte, le programme de séchage final est démarré automatiquement afin d'éviter la formation de moisissure et de pourriture dans la cabine de sauna. La cabine de sauna est alors chauffée à 80 °C pendant 30 minutes avec le ventilateur activé.
- Sortie supplémentaire
Gradation (jusqu'à 500 W) ou commutation (jusqu'à 3,5 kW) de la sortie supplémentaire.

La sortie supplémentaire n'a pas de protection contre la surtempérature. C'est pourquoi seuls des appareils équipés d'un dispositif interne de sécurité peuvent être utilisés sur la sortie supplémentaire.

- Si des émetteurs infrarouges sont utilisés sur la sortie supplémentaire, ils doivent disposer d'une protection contre la surtempérature.
- Si des plaques chauffantes infrarouges sont raccordées à la sortie supplémentaire, une sonde de film 1-014-445/P-ISX-FF doit être utilisée et activée dans le menu de configuration (voir « **9.1. Menu de configuration** » à la page 33) :
- Fonction d'activation à distance de 2 modes d'utilisation ou programmes utilisateur différents.
- Commande de lumière colorée par DMX
 - Paramétrage de la couleur, la clarté, les temps de transition et la durée.
 - 4 groupes de lumière colorée peuvent être commandés indépendamment l'un de l'autre.
- Diffusion de musique par Bluetooth®
 - Amplificateur intégré
- Commande par app Bluetooth®
 - Disponible pour iOS et Android
- Connexion au BUS
 - Connexion au système de bus domestique par interface RS485
 - Connexion à MySentio Wifi

3.4. Modes de fonctionnement du sauna

La commande de sauna home.com4 permet deux modes de fonctionnement : le mode sauna et le mode mixte. Si aucun évaporateur n'est raccordé, l'option de menu correspondant à l'utilisation de l'évaporateur peut être masquée (voir « 9.1. Menu de configuration » à la page 33).

Mode sauna

En mode sauna, la chaleur disponible est très sèche. La température dans la cabine est élevée (de 80 à 100 °C). Les valeurs d'humidité sont faibles (max. 10 %).

Mode mixte

En mode mixte, l'évaporateur fonctionne en plus du poêle de sauna. La température dans la cabine du sauna est plus basse (environ de 40 à 65 °C) qu'en mode sauna mais l'humidité de l'air relative est bien plus élevée (de 35 % à environ 70 %). L'humidité de consigne maximale pouvant être réglée dépend de la température du sauna. Plus la température du sauna est élevée, plus la valeur de l'humidité réglable maximale est basse.

3.5. Modes de fonctionnement des sondes

Les commandes de sauna de la série home.com4 peuvent être utilisées avec une ou deux sondes. La deuxième sonde utilisée peut être une sonde de température (sonde de banc, F2) ou une sonde de température-humidité (FTS2).

Fonctionnement à une sonde (F1)

La valeur d'humidité maximale pouvant être réglée varie, lors du fonctionnement à une sonde, selon la température au-dessus du poêle et l'humidité est cadencée. Sur l'écran de la commande de sauna, seule la valeur de consigne de l'humidité (en % d'humidité de l'air relative) est affichée. L'humidité réelle dans la cabine du sauna dépendant, lorsque l'humidité est cadencée, de la taille de la cabine et de la puissance de l'évaporateur, elle peut diverger de la valeur de consigne réglée.

Fonctionnement à deux sondes avec sonde de banc (F2)

En fonctionnement à deux sondes avec sonde de banc, une deuxième sonde de température (sonde de banc) est montée au-dessus du banc arrière du sauna. La commande de sauna indique la température mesurée par la sonde de banc comme température effective.

En fonctionnement à deux sondes avec sonde de banc, l'humidité est cadencée. Sur l'écran de la commande de sauna, seule la valeur de consigne de l'humidité (en % d'humidité de l'air relative) est affichée. L'humidité réelle dans la cabine du sauna dépendant, lorsque l'humidité est cadencée, de la taille de la cabine et de la puissance de l'évaporateur, elle peut diverger de la valeur de consigne réglée.

Fonctionnement à deux sondes avec sonde de température-humidité (FTS2)

Lorsqu'une sonde de température-humidité est utilisée en fonctionnement à deux sondes, la commande de sauna indique la température mesurée par la sonde de température-humidité comme température effective.

En fonctionnement à deux sondes avec sonde de température-humidité, l'évaporateur est réglé en fonction de l'humidité mesurée dans la cabine. Sur l'écran de la commande de sauna, l'humidité réelle de la cabine de sauna (en % d'humidité de l'air relative) est affichée.

Si une sonde de température-humidité est raccordée, l'option de menu « Évaporateur » ne peut pas être masquée.

4. Montage

4.1. Monter l'appareil de commande

ATTENTION !***Endommagement de l'appareil***

La commande de sauna est protégée contre les projections d'eau, mais un contact direct avec de l'eau peut quand même endommager l'appareil.

- Montez la commande de sauna à un endroit sec où l'humidité de l'air ne dépasse pas 95 %.
-

ATTENTION !***Les sources d'interférences gênent la transmission des signaux***

- Installez tous les câbles des sondes séparément des autres câbles électriques et câbles de commande.
 - Protégez simplement les câbles isolés par un tuyau (isolation double).
-

Lors du montage de la commande de sauna, tenez compte des points suivants :

- La commande de sauna doit être montée en dehors de la cabine de sauna ou conformément aux recommandations du fabricant de la cabine.
- La température ambiante doit être comprise entre -10 °C et +40 °C.
- Toutes les sondes doivent être raccordées avec les câbles de sondes joints qui résistent à une température allant jusqu'à 150 °C.



Les câbles des sondes peuvent être rallongés aux conditions suivantes :

- Utilisez un câble en silicone résistant à des températures allant jusqu'à 150 °C.
 - La section minimale du câble est de 0,5 mm².
 - La longueur des câbles de la sonde de poêle NE doit PAS dépasser 10 m.
-

Montage de la commande de sauna

Pour le montage de la commande de sauna, suivez les étapes suivantes :

1. Vissez deux vis pour aggloméré (3 x 25 mm) à une hauteur d'environ 1,70 m jusqu'à un espacement de 7 mm dans la paroi du sauna. L'espace entre les deux vis doit être de 156 mm (voir **Fig. 1**).

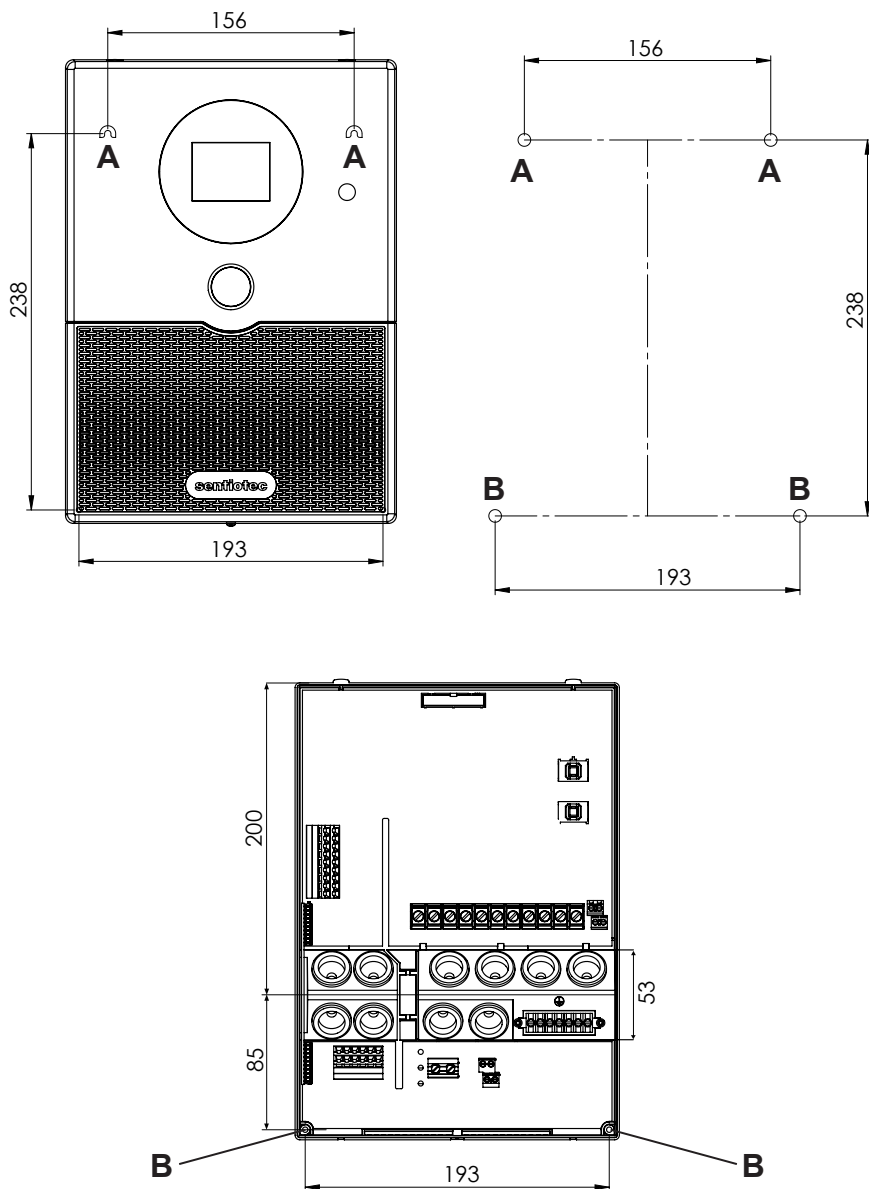


Fig. 1 Position du dispositif de suspension et des ouvertures de montage (mesures en mm)

2. Enlevez avec un tournevis la vis de boîtier **C** et séparez le couvercle du boîtier de la partie inférieure en le soulevant (voir **Fig. 2**).

ATTENTION !

Lorsque vous soulevez le couvercle de l'appareil, le commutateur Marche/Arrêt **D** ainsi que le commutateur d'éclairage **D** se défont de la fixation. Gardez-les dans un endroit sûr pour toute la durée des opérations de raccordement.

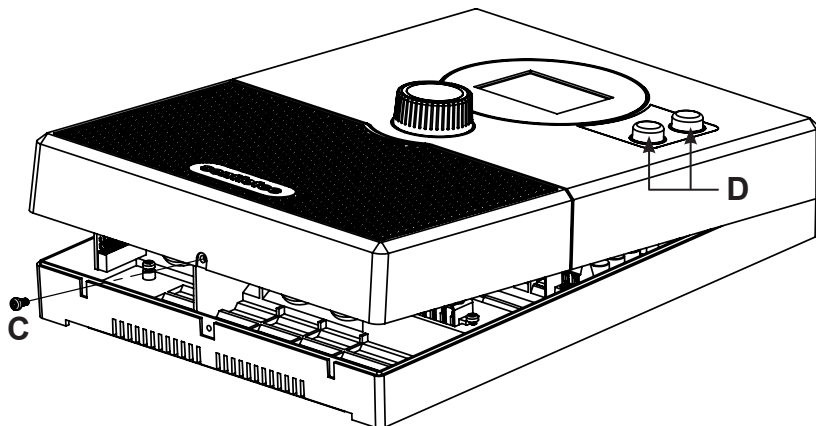


Fig. 2 Retrait du couvercle du boîtier

3. Tirez avec précaution le câble ruban **E** pour le défaire de la prise de raccordement (**Fig. 3**).

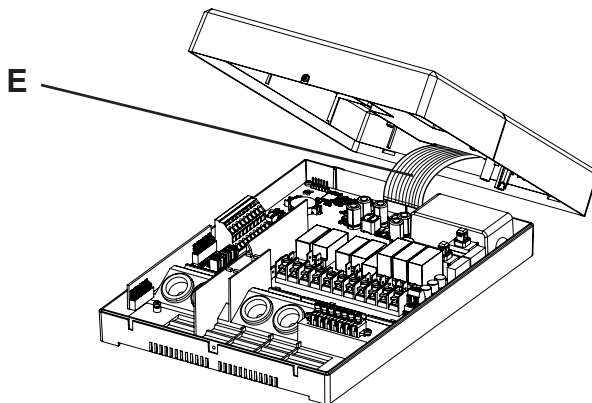


Fig. 3 Débranchage du câble-ruban

4. Accrochez la commande de sauna à l'aide du dispositif de suspension **A** aux vis cruciformes montées (voir **Fig. 1**).
5. Vissez deux vis pour aggloméré (3 x 25 mm) dans les ouvertures de fixation inférieures **B** (voir **Fig. 1**).

4.2. Passages des câbles

Les câbles de raccordement, d'alimentation et de sonde doivent être posés au préalable dans la paroi de la cabine et tirés à travers les passages de câbles de la commande de sauna.

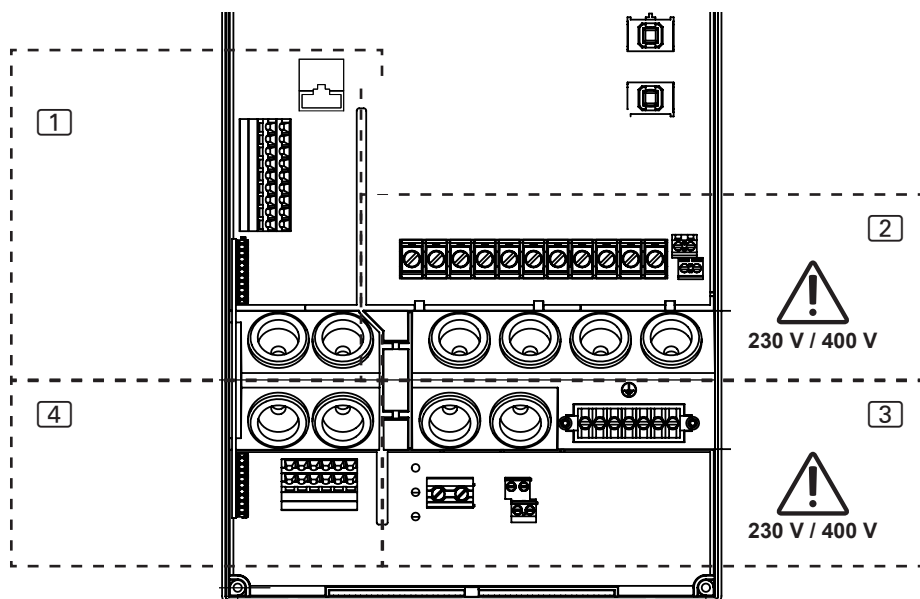


Fig. 4 Zones de raccordement

- 1 **Zone de raccordement pour module de base à basse tension** : sonde de poêle (F1), sonde de banc (F2), sonde d'humidité (FTS2), dispositif d'arrêt de sécurité (OSG) et connexion au BUS
 - 2 **Zone de raccordement pour module de base à 230 V / 400 V** : câble d'alimentation, câble du poêle, éclairage et ventilateur.
- Module d'extension :**
- 3 **Zone de raccordement pour 230 V** : sortie supplémentaire et extension de puissance.
 - 4 **Zone de raccordement pour basse tension** : câbles de haut-parleur, activation à distance, sonde de film et DMX.

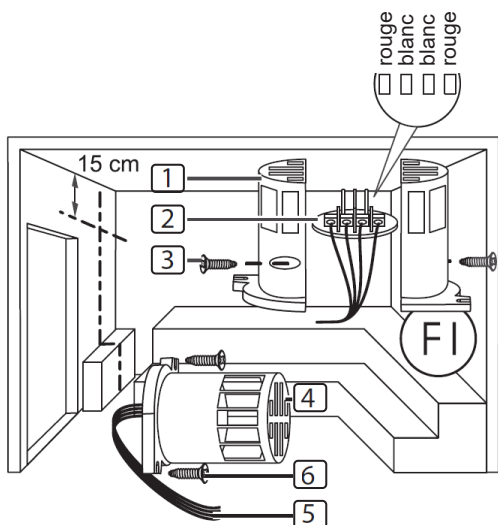
4.3. Montage de la sonde de poêle F1 avec dispositif de protection contre la surtempérature

Lors du montage de la sonde de poêle, tenez compte des points suivants :

- La sonde de poêle est montée sur la paroi arrière du poêle, dans la moitié supérieure du poêle. Respectez une distance de 15 cm environ par rapport au plafond de la cabine.
- La sonde de poêle doit être posée de sorte à ne pas être influencée par l'air entrant.

Pour le montage de la sonde de poêle, suivez les étapes suivantes (voir **Fig. 5**) :

1. Faites passer les deux câbles bipolaires de la sonde de poêle dans la paroi de la cabine du sauna jusqu'à l'emplacement de montage de la sonde de poêle et fixez les câbles de la sonde de poêle avec des serre-câbles.
2. Séparez les demi-coquilles **1** de la sonde de poêle l'une de l'autre.
3. Branchez les quatre raccordements du câble de la sonde de poêle **5** conformément à la **Fig. 5**.
4. Posez la plaque de raccordement **2** en travers (voir **Fig. 5**) dans les demi-coquilles de la sonde de poêle.
5. Fermez les demi-coquilles, vissez-les à l'aide des deux vis cruciformes **3** (9 mm) et vérifiez que la sonde de poêle est bien fermée.
6. Montez la sonde de poêle sur la paroi arrière du poêle à l'aide des deux vis à bois **6** (16 mm).



- 1** Demi-coquilles de la sonde de poêle
- 2** Plaque de raccordement
- 3** Vis cruciformes (9 mm)
- 4** Sonde de poêle
- 5** Câbles de sonde de poêle
- 6** Vis à bois (16 mm)

Fig. 5 Montage de la sonde de poêle

4.4. Montage de la sonde de banc F2 (en option)

La sonde de banc est montée dans la paroi de la cabine au-dessus du banc arrière. Respectez une distance de 15 cm environ par rapport au plafond de la cabine.

Pour le montage de la sonde de banc, suivez les étapes suivantes :

1. Faites passer le câble bipolaire de la sonde de banc dans la paroi de la cabine du sauna jusqu'à l'emplacement de montage de la sonde de banc et fixez les câbles de la sonde de banc avec des serre-câbles.
2. Séparez les demi-coquilles de la sonde de banc l'une de l'autre.
3. Branchez les deux raccordements du câble de la sonde de banc sur les deux bornes du milieu de la plaque de raccordement.
4. Posez la plaque de raccordement en travers dans les demi-coquilles de la sonde de banc.
5. Fermez les demi-coquilles et vissez-les avec les deux vis cruciformes (9 mm).
6. Vérifiez que la sonde de banc est correctement fermée.
7. Montez la sonde de banc sur la paroi de la cabine à l'aide des deux vis à bois jointes (16 mm).

4.5. Montage de la sonde de température-humidité FTS2 (en option)

La sonde de température-humidité est montée sur la paroi de la cabine au-dessus du banc arrière. Respectez une distance de 15 cm environ par rapport au plafond de la cabine.

Pour le montage de la sonde de température-humidité, suivez les étapes suivantes :

1. Faites passer le câble à 5 pôles de la sonde dans la paroi de la cabine du sauna jusqu'à l'emplacement de montage de la sonde de température-humidité et fixez les câbles de la sonde avec des serre-câbles.
2. Montez la sonde de température-humidité sur la paroi de la cabine à l'aide des deux vis à bois jointes (16 mm).

4.6. Montage de la sonde de film (en option)

Si vous raccordez à la sortie supplémentaire des plaques chauffantes infrarouges sentiotec, il faut utiliser la sonde de film 1-014-445 / P-ISX-FF.

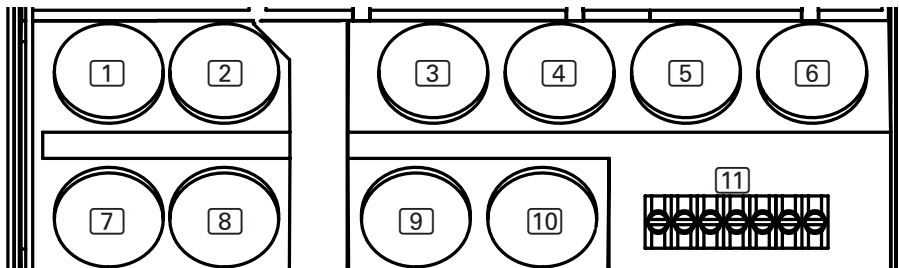
- Lors du montage de la sonde de film, conformez-vous au mode d'emploi des plaques chauffantes infrarouges.
- L'utilisation de la sonde de film doit être activée dans le menu de configuration.

5. Branchements électriques

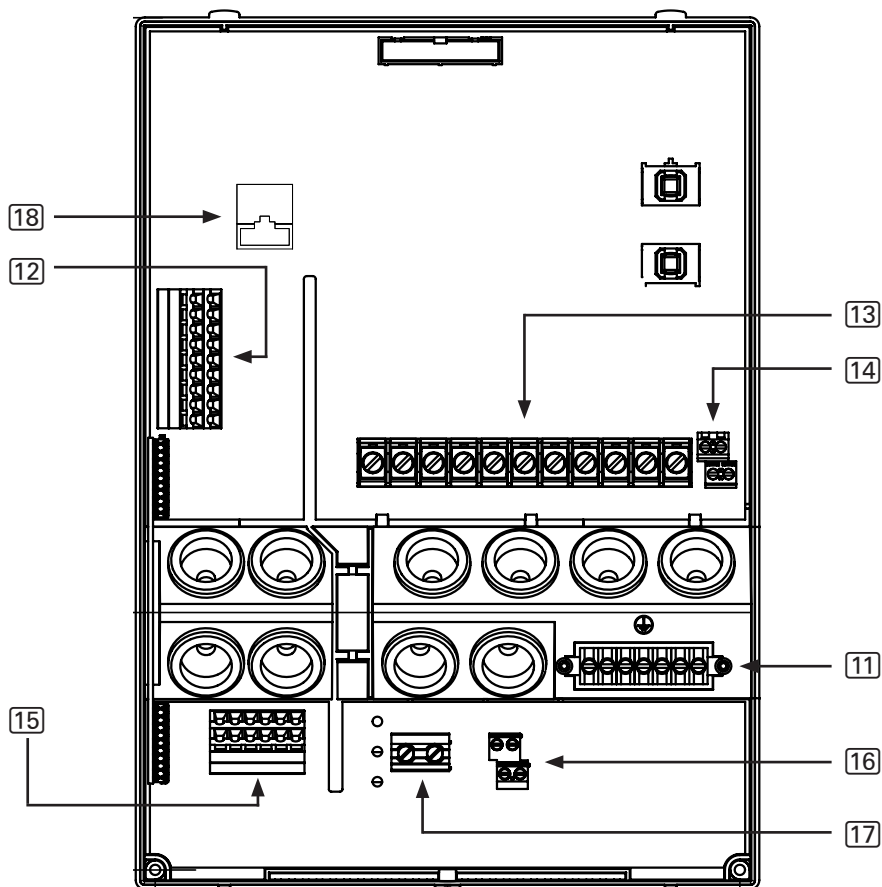
ATTENTION !

Endommagement de l'appareil

- La commande de sauna doit uniquement être utilisée pour la commande et le réglage de 3 cycles de chauffage avec une puissance de 3,5 kW max. par cycle. La puissance maximale de l'évaporateur est de 3,5 kW. La puissance maximale de la sortie supplémentaire est de 3,5 kW.



- 1 Passage de câbles pour sonde FTS2, ligne de BUS RS485
- 2 Passage de câbles pour sonde F1, sonde F2 et dispositif d'arrêt de sécurité
- 3 Passage de câbles pour câble d'évaporateur
- 4 Passage de câbles pour câble du poêle
- 5 Passage de câbles pour câble d'alimentation
- 6 Passage de câbles pour éclairage et ventilation
- 7 Passage de câbles pour câbles du haut-parleur et câble DMX
- 8 Passage de câble pour activation à distance et sonde de film
- 9 Passage de câbles pour sortie supplémentaire
- 10 Passage de câbles pour module d'extension de puissance
- 11 Barre collectrice de mise à la terre



- 11 Barre collectrice de mise à la terre
- 12 Bloc de jonction pour arrêt de sécurité et câbles de sondes
- 13 Bloc de jonction pour câbles du poêle, de l'évaporateur et de l'alimentation
- 12 Bloc de jonction pour éclairage et ventilateur
- 15 Bloc de jonction pour DMX, haut-parleur, activation à distance et sonde de film
- 16 Bloc de jonction pour sortie supplémentaire
- 17 Bloc de jonction pour extension de puissance
- 18 Interface de BUS pour RS485 (RJ45)

Lors du raccordement électrique de la commande de sauna, tenez compte des points suivants :

- Seul un électricien spécialisé ou une personne ayant une qualification similaire est habilité à procéder au montage.



Pour bénéficier de la garantie, vous devez présenter une copie de la facture de l'électricien ayant effectué le branchement.

- Les travaux sur la commande de sauna doivent être effectués uniquement lorsque l'appareil n'est pas sous tension.
- L'alimentation électrique doit être assurée par un raccordement fixe.
- Un dispositif de coupure totale du circuit sur tous les pôles (catégorie de surtension III) doit être prévu par le client.
- Tenez compte du chapitre « **7. Schéma de raccordement** » à la page 28.

5.1. Câble d'alimentation, poêle et évaporateur

1. Faites passer le câble d'alimentation, de poêle et d'évaporateur dans les passages de câbles [3], [4], [5] dans la zone de raccordement pour 230 V/400 V.
2. Branchez les câbles de raccordement conformément au schéma de raccordement sur le bloc de jonction [13]. Conformez-vous au mode d'emploi des différents appareils.

5.2. Éclairage de cabine

1. Faites passer le câble d'éclairage dans le passage de câbles [6] dans la zone de raccordement pour 230 V/400 V.
2. Branchez le câble d'éclairage conformément au schéma de raccordement sur le bloc de jonction [14]. Conformez-vous au mode d'emploi de chaque appareil.

5.3. Ventilateur

1. Faites passer le câble du ventilateur dans le passage de câbles [6] dans la zone de raccordement pour 230 V/400 V.
2. Branchez le câble du ventilateur conformément au schéma de raccordement sur le bloc de jonction [14]. Conformez-vous au mode d'emploi de chaque appareil.

5.4. Sonde de poêle F1

1. Faites passer les câbles de la sonde de poêle dans le passage de câbles **[2]** dans la zone de raccordement pour basse tension.
2. Raccordez les câbles rouges de la sonde de poêle aux bornes portant l'inscription « **STB** » sur le bloc de jonction **[12]**.
3. Raccordez les câbles blancs de la sonde de poêle aux bornes portant l'inscription « **F1** » sur le bloc de jonction **[12]**.

5.5. Sonde de banc F2 (en option)

1. Faites passer les câbles de la sonde de banc dans le passage de câbles **[2]** dans la zone de raccordement pour basse tension.
2. Raccordez les câbles de la sonde de banc aux bornes portant l'inscription « **F2** » sur le bloc de jonction **[12]**.

5.6. Sonde de température-humidité FTS2 (en option)

1. Faites passer les câbles de la sonde dans le passage de câbles **[1]** dans la zone de raccordement pour basse tension.
2. Raccordez les câbles de la sonde de température aux bornes portant l'inscription « **F2** » sur le bloc de jonction **[12]**.
 - a. Branchez le câble noir à la borne de droite.
 - b. Branchez le câble brun à la borne de gauche.
3. Raccordez les câbles de la sonde d'humidité aux bornes portant l'inscription « **FTS2** » sur le bloc de jonction **[12]**.
 - c. Branchez le câble vert à la borne « **GREEN** ».
 - d. Branchez le câble orange à la borne « **ORANGE** ».
 - e. Branchez le câble rouge à la borne « **RED** ».

5.7. Dispositif d'arrêt de sécurité

Selon la norme EN 60335-2-53, les commandes de sauna avec actionnement à distance ne doivent être utilisées que pour la commande et le réglage d'un poêle de sauna qui a passé avec succès le contrôle défini au paragraphe 19.101. Un dispositif d'arrêt de sécurité adapté peut également être installé dans ou sur le poêle. Le poêle du sauna est ainsi arrêté lorsque des objets, par exemple une serviette, sont posés sur le poêle.

Pour le montage du dispositif d'arrêt de sécurité, suivez les étapes suivantes :

1. Montez le dispositif d'arrêt de sécurité conformément au mode d'emploi de l'appareil.
2. Faites passer les câbles du dispositif d'arrêt de sécurité dans le passage de câbles [2] dans la zone de raccordement pour basse tension.
3. Raccordez les câbles aux bornes portant l'inscription « **OSG** » sur le bloc de jonction [12].



S'il n'y a pas de dispositif d'arrêt de sécurité, pontez les bornes portant l'inscription « **OSG** » à l'aide d'un fil de liaison.

5.8. Sortie supplémentaire

La sortie supplémentaire peut, par exemple, être utilisée pour un émetteur infrarouge ou des plaques chauffantes infrarouges.

FR

1. Faites passer le câble de raccordement de l'appareil supplémentaire dans les passages de câbles [9] dans la zone de raccordement pour 230 V/400 V.
2. Branchez les câbles de raccordement conformément au schéma de raccordement sur le bloc de jonction [16]. Conformez-vous au mode d'emploi et aux consignes de sécurité de chaque appareil.

Respectez impérativement la puissance de raccordement maximale de la sortie supplémentaire :

- Variable, jusqu'à 500 W maximum
- Commutable, jusqu'à 3 500 W maximum

5.9. Sonde de film (en option)

1. Faites passer les câbles de la sonde dans le passage de câbles [8] dans la zone de raccordement pour basse tension du module d'extension.
2. Raccordez les câbles de la sonde aux bornes portant l'inscription « **FOIL SENSOR** » sur le bloc de jonction [15].

5.10. Extension de puissance (en option)

1. Faites passer le câble du module d'extension de puissance dans le passage de câbles [10] dans la zone de raccordement pour 230 V/400 V.
2. Branchez le câble du module d'extension de puissance conformément au schéma de raccordement sur le bloc de jonction [17]. Utilisez la borne « **ST1** » pour le circuit de sécurité et la borne « **ST2** » pour le circuit de commande. Conformez-vous au mode d'emploi de chaque appareil.

5.11. Activation à distance (en option)

Le raccordement s'effectue sur les bornes « **RS1** », « **RS2** » et « **24 VCC** » sur le bloc de jonction [15].

Un commutateur ou un actionneur doit permettre de commuter +24 VCC sur la borne correspondant au mode de fonctionnement souhaité **RS1** ou **RS2**.

Dans le menu de configuration, il est possible d'affecter à **RS1** et **RS2** n'importe quel mode ou un programme utilisateur (voir « **10.16. Activation du mode de veille de l'actionnement à distance** » à la page 48).

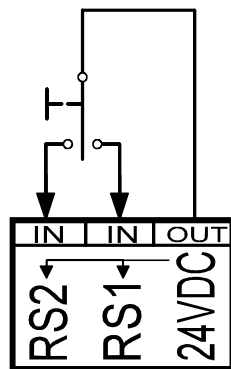


Fig. 6 Activation à distance

5.12. Sortie haut-parleur (en option)

La sortie haut-parleur permet le raccordement de haut-parleurs du commerce, avec une puissance musicale conseillée d'environ 25 W. L'impédance doit être aux alentours de 8 Ω . La section minimum du câble de haut-parleur est de 2 x 0,5 mm².

1. Faites passer les câbles du haut-parleur dans le passage de câbles [7] dans la zone de raccordement pour basse tension du module d'extension.
2. Raccordez les câbles du haut-parleur sur le bloc de jonction [15] portant l'inscription **RS-** et **RS+** pour le haut-parleur droit, et **LS-** et **LS+** pour le haut-parleur gauche. Pour une expérience sonore optimale, tenez compte de la polarité des câbles de raccordement.

5.13. Sortie DMX (en option)

1. Faites passer les câbles de raccordement DMX dans le passage de câbles **7** dans la zone de raccordement pour basse tension du module d'extension.
2. Branchez les câbles de raccordement DMX conformément aux désignations présentes sur le bloc de jonction **15**.

- **DMX A** (DATA +)
- **DMX B** (DATA -)
- **GND** (masse/blindage)

4 protocoles DMX différents sont supportés, émis simultanément sur la sortie DMX :

1. 8 bits RGBW
2. 16 bits RGBW
3. 8 bits Hue - Value - Saturation (par ex. pour les diffuseurs de lumière colorée COLLAXX)
4. 8-bit Hue - Saturation - Value

Utilisez le tableau d'adresses suivantes pour intégrer votre diffuseur de lumière colorée à la commande du sauna.

RGBW_8BIT

- Adresse de départ : Canal 1
 - ▶ Canal Groupe de lumière 1 : **1**
 - ▶ Canal Groupe de lumière 2 : **5**
 - ▶ Canal Groupe de lumière 3 : **9**
 - ▶ Canal Groupe de lumière 4 : **13**

RGBW_16BIT

- Adresse de départ : Canal 17
 - ▶ Canal Groupe de lumière 1 : **17**
 - ▶ Canal Groupe de lumière 2 : **25**
 - ▶ Canal Groupe de lumière 3 : **33**
 - ▶ Canal Groupe de lumière 4 : **41**

COLLAXX (HUE - VALUE - SATURATION, 8 bits)

- Adresse de départ : Canal 49
 - ▶ Canal Groupe de lumière 1 : **49**
 - ▶ Canal Groupe de lumière 2 : **52**
 - ▶ Canal Groupe de lumière 3 : **55**
 - ▶ Canal Groupe de lumière 4 : **58**

HSV (HUE - SATURATION - VALUE, 8 bits)

- Adresse de départ : Canal 61
 - ▶ Canal Groupe de lumière 1 : **61**
 - ▶ Canal Groupe de lumière 2 : **64**
 - ▶ Canal Groupe de lumière 3 : **67**
 - ▶ Canal Groupe de lumière 4 : **70**

5.14. Connexion au BUS (interface RS485)

1. Faites passer les câbles de données RJ45 dans le passage de câbles 1 dans la zone de raccordement pour basse tension.
2. Raccordez le câble de données à la prise RJ45 18.
3. Respectez le mode d'emploi et les consignes de sécurité de l'appareil concerné (connexion RS485, MySentio Wifi, ...)

5.15. Fin de l'installation

1. Raccordez le fil de terre du câble d'alimentation et de tous les appareils à la barre de terre 11.
2. Placez le couvercle du boîtier sur le bord supérieur et connectez le câble-ruban à la partie inférieure du boîtier.
3. Pressez la partie supérieure du boîtiers vers le bas et vissez la vis du boîtier avec un tournevis.
4. Pour finir, insérez les 2 commutateurs (Marche/Arrêt et Éclairage) dans la partie supérieure du boîtier jusqu'à ce qu'ils s'encliquètent.

6. Exécution des contrôles



AVERTISSEMENT !

*Les contrôles suivants doivent être effectués sous tension.
Attention au risque d'électrocution.*

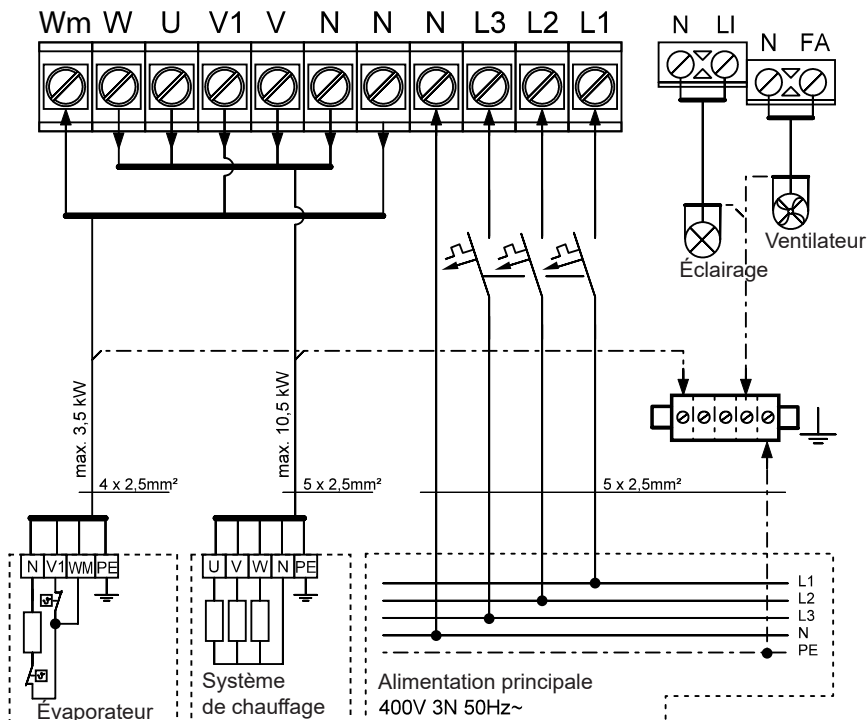
- Ne touchez JAMAIS de pièces conductrices sous tension.

Les contrôles suivants doivent être exécutés par un installateur-électricien agréé.

1. Contrôlez le contact des câbles de terre à la borne de mise à la terre.
2. Contrôlez le dispositif de protection contre la surtempérature de la sonde de poêle F1.
 - a. Mettez la commande de sauna en marche.
 - ▶ Si des messages d'erreurs s'affichent à ce moment, sautez à l'étape « **14.1. Messages d'erreur** » à la page 55.
 - b. Ouvrez la sonde de poêle et débranchez un des deux câbles rouges de la sonde de poêle.
 - ▶ Un signal sonore répétitif retentit, l'erreur « Erreur *01 » apparaît à l'écran.
 - ▶ La commande éteint le poêle.
 - c. Arrêtez la commande de sauna.
 - d. Rebranchez le câble rouge de la sonde de poêle.
 - e. Débranchez maintenant un des câbles blancs de la sonde de poêle.
 - f. Mettez la commande de sauna en marche.
 - ▶ Un signal sonore répétitif retentit, « Erreur *04F1 » apparaît à l'écran.
 - ▶ La commande éteint le poêle.
 - g. Arrêtez la commande de sauna.
 - h. Rebranchez le câble blanc de la sonde de poêle.
3. Vérifiez la commutation des phases pour le mode sauna L1, L2, L3 en U, V, W ainsi que la puissance de chauffage maximum admissible de 3,5 kW par phase.
4. Uniquement si vous utilisez un évaporateur : Vérifiez la commutation des phases pour le mode évaporateur de L1, L2, L3 en U, V1, W.
5. Vérifiez la commutation des phases de L3 à AUX en activant l'appareil raccordé à la sortie supplémentaire.

7. Schéma de raccordement

7.1. Schéma de raccordement du module de base à 230 V / 400 V



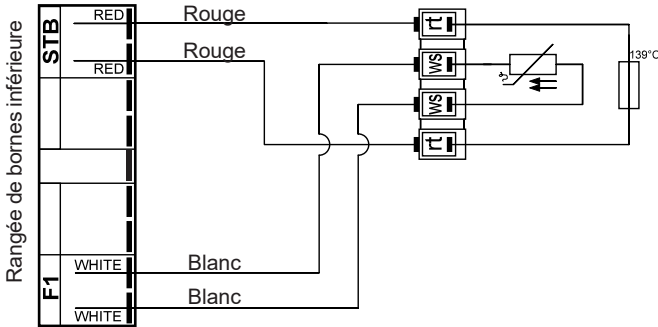
Dispositifs de protection conseillés pour l'alimentation principale :

Coupe-circuits d'alimentation : 3 x 20 A (CAT III)

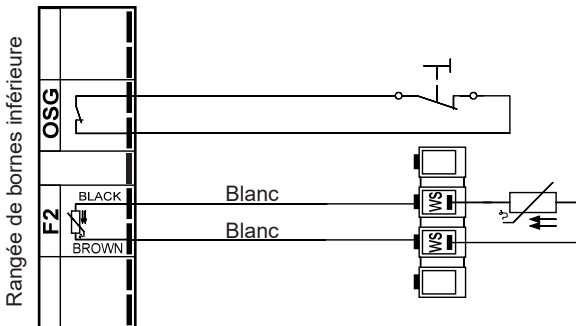
FI (disjoncteur à courant de défaut) : 30 mA

7.2. Schéma de raccordement pour module de base à basse tension

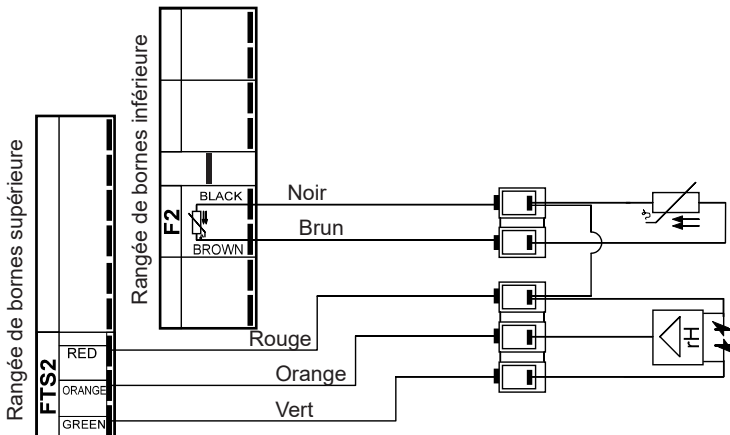
Raccordement de la sonde de poêle F1 :



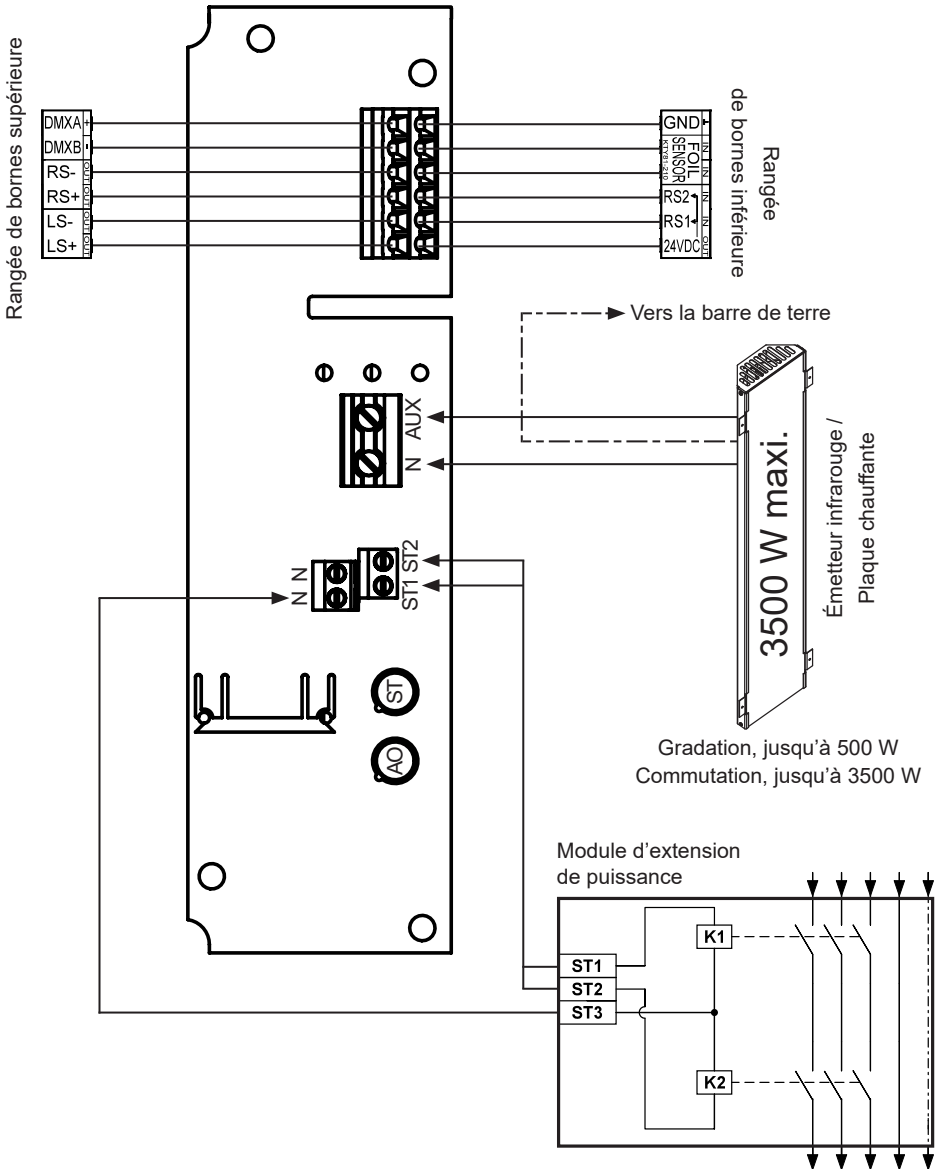
Raccordement de la sonde de banc F2 et du dispositif d'arrêt de sécurité OSG :



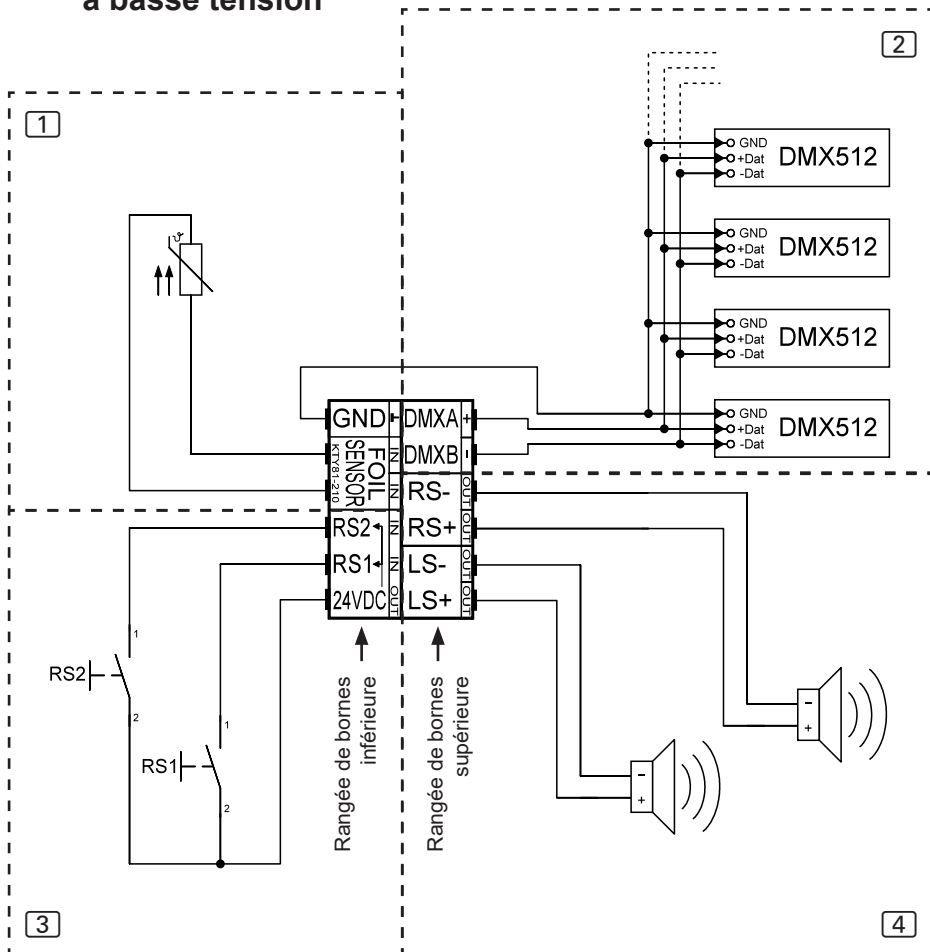
Raccordement de la sonde de température-humidité FTS2 :



7.3. Schéma de raccordement du module d'extension 230 V

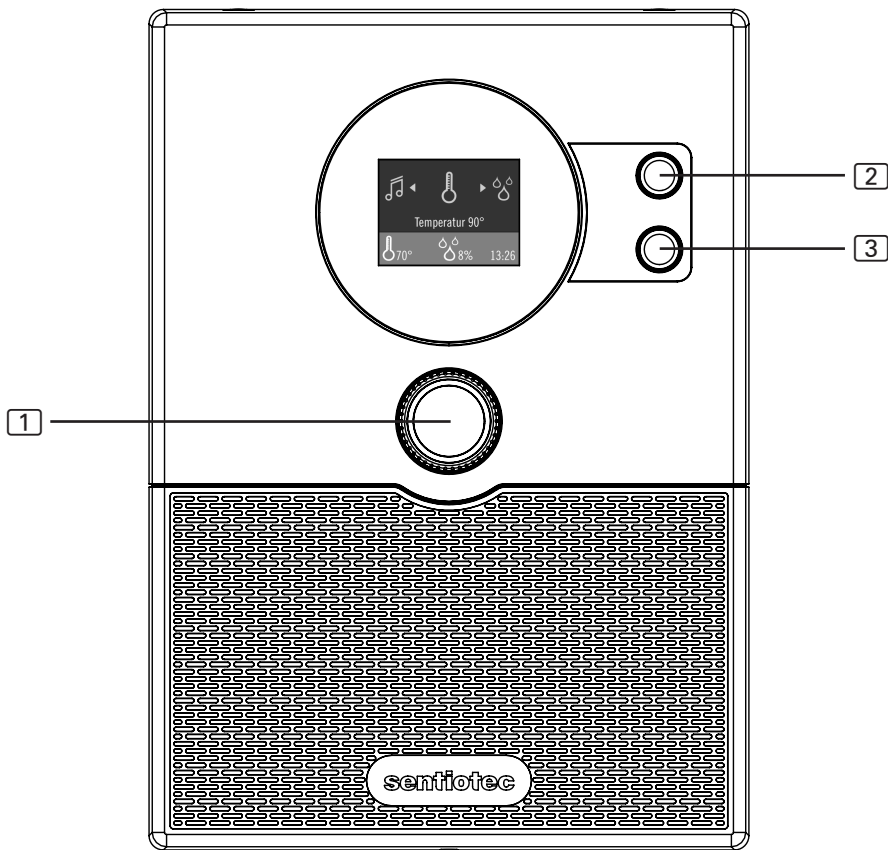


7.4. Schéma de raccordement du mode d'extension à basse tension



- 1** Raccordement de la sonde de film
- 2** Raccordement DMX
- 3** Raccordement de l'activation à distance
- 4** Raccordement des haut-parleurs

8. Éléments de commande



- 1 **Sélecteur rotatif** (bouton rotatif et bouton-poussoir pour la commande par menu)
- 2 **Commutateur principal** (mise en marche et arrêt de la commande de sauna)
- 3 **Commutateur d'éclairage** (mise en marche et arrêt de l'éclairage de cabine)

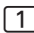
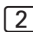
9. Mise en service

9.1. Menu de configuration

La commande de sauna home.com4 possède un menu de configuration séparé du menu principal, où tous les paramétrages de base peuvent être réalisés.

Le menu de configuration est disponible uniquement en langue anglaise.

Pour accéder au menu de configuration, suivez les étapes suivantes :

1. Arrêtez la commande de sauna
 2. Maintenez le sélecteur rotatif  enfoncé tout en mettant la commande de sauna en marche avec le commutateur principal .
- ▶ L'écran affiche le menu de configuration avec les options de menu disponibles.

Navigation dans les menus

Pour naviguer dans les menus, utilisez le sélecteur rotatif .

- Tournez le sélecteur rotatif vers la droite pour faire défiler le bas du menu.
- Tournez le sélecteur rotatif vers la gauche pour faire défiler le haut du menu.
- Pour sélectionner une option, appuyez sur le sélecteur rotatif.
 - ▶ Le paramètre de l'option correspondante est surligné en vert et peut à présent être modifié.
- Tournez le sélecteur vers la droite ou la gauche pour afficher les possibilités de paramétrage disponibles.
 - ▶ Pour valider la sélection, appuyez sur le sélecteur rotatif.



La norme EN 60335-2-53 prévoit une limitation de la durée de chauffage à 6 h maximum pour les saunas privés. Pour les saunas dans les hôtels, les immeubles et les endroits similaires, la limitation de la durée de chauffage peut atteindre un maximum autorisé de 12 h. Une extension de la limitation de la durée de chauffage à 18 h ou à 24 h est autorisée pour les saunas publics uniquement.

<i>Option de menu</i>	<i>Description</i>	<i>Possibilités de paramétrage</i>
Language	Paramétrage de la langue des menus	Allemand, Anglais, Suédois, Français, Slovène, Espagnol, Estonien, Finnois, Italien, Néerlandais, Polonais, Russe, Tchèque
Time	Paramétrage de l'heure	hh:mm
Year	Paramétrage de l'année	par ex. 2017
Month	Paramétrage du mois	par ex. juillet
Day	Paramétrage du jour	par ex. le 17
Weekday	Paramétrage du jour de la semaine	par ex. Monday
Heating time limit	Limite maximale de durée de chauffage	6 / 12 / 18 / 24 h
Heater Sensor Offset	Calibrage de la sonde du poêle en °C	-10 à +10
Bench Sensor Offset	Calibrage de la sonde de banc en °C	-10 à +10
Humidity Offset	Calibrage de l'humidité en %	-10 à +10
Maximum temperature	Définition de la température de consigne maximale paramétrable	40 - 110 °C
Bench sensor	Activation / désactivation du fonctionnement à deux sondes	On/Off
Phase Alignment	Activation / désactivation de la disponibilité des phases	On/Off
Vaporizer	Activation / désactivation de l'évaporateur ou validation du mode simple	Off / Normal / Single
Foil sensor	Activation ou désactivation de la sonde de film	Yes / No
Aux mode	Variation de la sortie supplémentaire jusqu'à 500 W Commutation de la sortie supplémentaire jusqu'à 3500 W	dimnable switchable
Mode RS1	Mode de démarrage Entrée d'activation à distance RS1 RS = Remote Start	Finnish / combi, user programs 1–5
Mode RS2	Mode de démarrage Entrée d'activation à distance RS2 RS = Remote Start	Finnish / combi, user programs 1–5
Remote enabling	Validation de l'activation à distance	Internal/external
Drying time	Durée du programme automatique de séchage final (80°C et ventilateur)	0–60 min
Preheat time vaporizer	Temps de préchauffage indépendant du réglage du ventilateur (uniquement sans sonde FTS2)	0-20 min

<i>Option de menu</i>	<i>Description</i>	<i>Possibilités de paramétrage</i>
Colorlight	Paramétrages de couleur Successions de couleurs Synchronisation de la transmission radio DMX Paramétrages de couleur personnalisés pour les couleurs de base : rouge, jaune, vert, turquoise, bleu, violet, blanc	<u>Pourcentages de couleurs :</u> Rouge : 0 - 100 % Vert : 0 - 100 % Bleu : 0 - 100 % Blanc : 0 - 100 %
- Gradient	Configurer individuellement les successions de couleurs 1 - 4 Activation / désactivation de certaines couleurs de base dans la succession de couleurs L'ordre de succession des couleurs ne peut pas être modifié	Rouge : marche/arrêt Jaune : marche/arrêt Vert : marche/arrêt Turquoise : marche/arrêt Bleu : marche/arrêt Violet : Marche/Arrêt Blanc : Marche/arrêt
- Duration	Paramétrage de la durée des différentes couleurs	[s]
- Transition time	Paramétrage de la durée de la transition entre les couleurs	[s]
- Synchronize	Synchronisation du canal DMX (pour la liaison radio)	Canal : 0 - 512
SW version	Affichage de la version logicielle	
HW version	Affichage de la version matérielle	
Cycles	Affichage du nombre d'opérations de commutation de relais	
Buzzer	Activation / désactivation du signal acoustique	On/Off
Button sounds	Activation / désactivation du bip de touche	On/Off
Secure Pairing Music	Validation de la déclaration nécessaire	On/Off
Secure Pairing App	Validation de la déclaration nécessaire	On/Off
Bluetooth PIN		
Bluetooth ID		
Delete paired devices	Réinitialisation de tous les appareils raccordés	Start
Factory reset	Rétablir les paramètres usine	Start
Exit	Tous les paramètres sont enregistrés et le menu de configuration est refermé	Start

10. Utilisation

Tenez compte du « 8. Éléments de commande » à la page 32.

10.1. Allumage de l'éclairage (éclairage de nettoyage)

L'éclairage de la cabine de sauna peut être allumé et éteint sur l'appareil de commande indépendamment du commutateur Marche/Arrêt [2].

- Pour allumer ou éteindre l'éclairage sur l'appareil de commande, appuyez sur le commutateur d'éclairage [3].

10.2. Mise en marche de l'appareil de commande



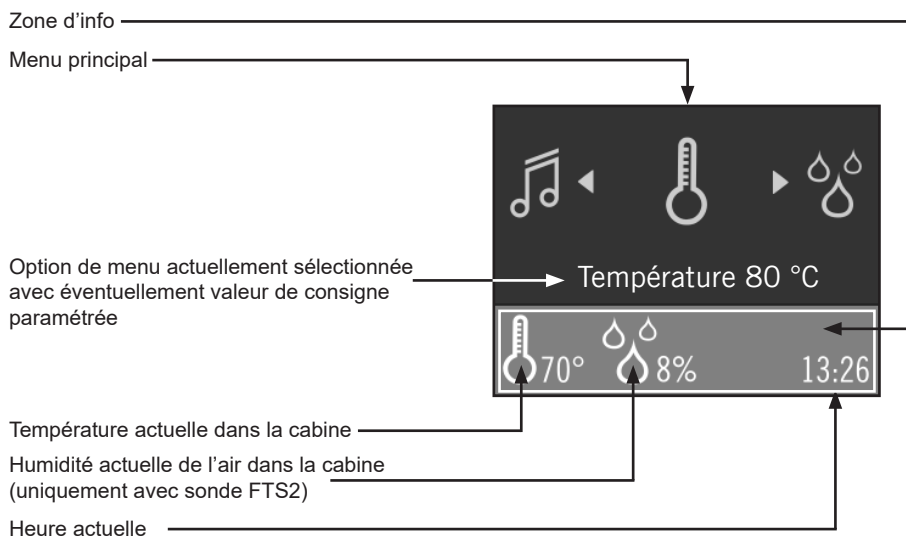
AVERTISSEMENT !

Risque d'incendie

Des objets inflammables se trouvant sur le poêle du sauna peuvent s'enflammer et provoquer des incendies.

- NE placez JAMAIS de matériaux inflammables sur le poêle de sauna.
- Assurez-vous qu'AUCUN objet inflammable ne se trouve sur le poêle de sauna avant d'allumer la commande.

- Appuyez sur le commutateur Marche/Arrêt [2] pour allumer l'appareil de commande.
 - ▶ L'option « Programmes utilisateur » apparaît par défaut lorsque vous mettez en marche l'écran.





Éléments affichés :

10.3. Mode sauna

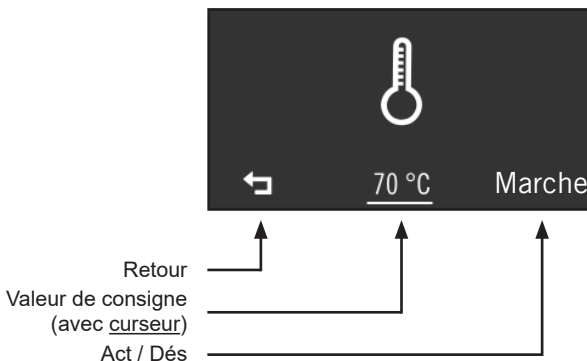
Activation du mode sauna

1. Choisissez le symbole de température à l'aide du sélecteur rotatif [1].
Pressez ensuite brièvement ce dernier pour valider.
 - ▶ Le sous-menu « Température » s'ouvre et l'écran affiche en souligné la valeur de consigne paramétrée pour la température.
2. Pour modifier la valeur, appuyez sur le sélecteur rotatif.
 - ▶ La valeur apparaît maintenant surlignée en vert et elle peut être modifiée.
 - ▶ Pour valider le paramétrage, appuyez à nouveau sur le sélecteur rotatif.
3. Déplacez le curseur (souligné) vers la droite sur « Act » et appuyez brièvement sur le sélecteur rotatif.
 - ▶ Le poêle de sauna se met en marche et commence à chauffer.
 - ▶ La couleur du symbole de température dans la zone d'info passe au rouge.
 - ▶ L'option de menu « Température » se referme automatiquement.

Arrêt du mode sauna

4. Pour couper le poêle du sana, répétez les points 1 et 3.
 - ▶ À la place de « Act », c'est « Dés » qui s'affiche.
 - ▶ Pour quitter le sous-menu, déplacez le curseur sur le « symbole Retour » à gauche et validez avec le sélecteur rotatif.


Affichage du sous-menu Température





10.4. Mode mixte

Activation du mode mixte

1. Choisissez le symbole de température à l'aide du sélecteur rotatif . Pressez ensuite brièvement ce dernier pour valider.
 - ▶ Le sous-menu « Humidité » s'ouvre et l'écran affiche en souligné la valeur de consigne paramétrée pour l'humidité.
2. Pour modifier la valeur, appuyez sur le sélecteur rotatif.
 - ▶ La valeur apparaît maintenant surlignée en vert et elle peut être modifiée.
 - ▶ Pour valider le paramétrage, appuyez à nouveau sur le sélecteur rotatif.
3. Déplacez le curseur (souligné) vers la droite sur « Act » et appuyez brièvement sur le sélecteur rotatif.
 - ▶ L'évaporateur se met en marche et commence à chauffer.
 - ▶ La couleur du symbole d'humidité dans la zone d'info passe au bleu.
 - ▶ L'option de menu « Humidité » se referme automatiquement.

Arrêt du mode mixte

4. Pour couper l'évaporateur, répétez les points 1 et 3.
 - ▶ À la place de « Act », c'est « Dés » qui s'affiche.
 - ▶ Pour quitter le sous-menu, déplacez le curseur sur le « symbole Retour » à gauche et validez avec le sélecteur rotatif.
 - ▶ L'évaporateur est arrêté.

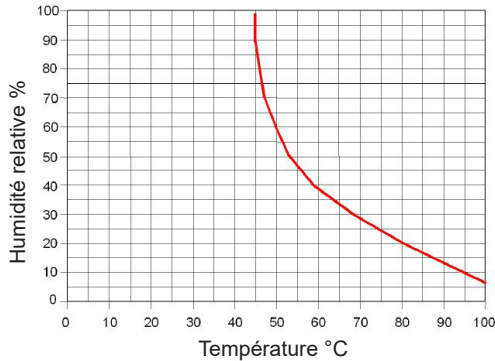


L'évaporateur ne peut être démarré que lorsque le poêle de sauna est allumé. L'humidité de consigne maximale pouvant être réglée dépend de la température du sauna. Plus la température du sauna est élevée, plus la valeur de l'humidité maximale réglable est basse (voir courbe).

Exception : le mode évaporateur simple est activé (voir « 9.1. Menu de configuration » à la page 33). Il est possible dans ce cas de figure de mettre l'évaporateur en marche sans le poêle de sauna, la température de la cabine déterminant l'humidité maximum.



Exploiter la commande de sauna sans sonde de température-humidité (FTS2) active le mode cadencé. L'évaporateur est activé pour une durée prédéfinie (par défaut 10 minutes) sans interruption si la température de cabine est inférieure à 30 °C. Le mode cadencé se met ensuite en marche.



EN 60335-2-53:2011 ; courbe Température / Humidité relative pour une utilisation conforme.



10.5. Programme de séchage final

Après le mode mixte, le programme de séchage final est démarré automatiquement afin d'éviter la formation de moisissure et de pourriture dans la cabine de sauna. La cabine de sauna est alors chauffée à 80 °C pendant 30 minutes avec le ventilateur activé.

- ▶ Pour annuler le programme de séchage final, appuyez sur le sélecteur rotatif **1** et tournez-le simultanément vers la droite.



Afin d'éviter la formation de moisissure et de pourriture, le programme de séchage rapide ne doit PAS être interrompu.

FR



10.6. Éclairage de cabine

Mise en marche de l'éclairage de cabine

1. Sélectionnez le symbole d'éclairage à l'aide du sélecteur rotatif **1**. Appuyez ensuite brièvement pour activer l'éclairage de cabine.
 - ▶ L'éclairage de cabine est activé.
 - ▶ L'écran affiche « Éclairage Act »

Arrêt de l'éclairage de cabine

2. Pour arrêter l'éclairage de cabine, appuyez à nouveau sur le sélecteur rotatif **1**.
 - ▶ L'éclairage de cabine est arrêté.
 - ▶ L'écran affiche « Éclairage Dés »



10.7. Ventilateur

Mise en marche du ventilateur

3. Sélectionnez le symbole de ventilateur à l'aide du sélecteur rotatif **1**. Appuyez ensuite brièvement pour activer le ventilateur.
 - ▶ Le ventilateur est mis en marche.
 - ▶ L'écran affiche « Ventilateur Act »

Arrêt du ventilateur

4. Pour arrêter le ventilateur, appuyez à nouveau sur le sélecteur rotatif **1**.
 - ▶ Le ventilateur est éteint.
 - ▶ L'écran affiche « Ventilateur Dés »



10.8. Démarrage différé

Paramétrage du démarrage différé

Vous pouvez régler l'heure du démarrage différé à la minute. Le délai maximum pour le démarrage différé est de 6 h.

1. Démarrez les fonctions que vous souhaitez activer à l'issue du délai de démarrage différé.
2. Sélectionnez le symbole de démarrage différé à l'aide du sélecteur rotatif **1**. Appuyez ensuite brièvement pour ouvrir le sous-menu.
 - ▶ Le sous-menu « Démarrage différé » s'ouvre et l'écran affiche en souligné le dernier délai programmé pour le démarrage différé.
3. Pour modifier la valeur, appuyez sur le sélecteur rotatif.
 - ▶ La valeur apparaît maintenant surlignée en vert et elle peut être modifiée.
 - ▶ L'affichage est indiqué en hh:mm.
 - ▶ Pour valider le paramétrage, appuyez à nouveau sur le sélecteur rotatif.
4. Déplacez le curseur (souligné) vers la droite sur « Start » et appuyez brièvement sur le sélecteur rotatif.
 - ▶ Toutes les fonctions activées auparavant sont désactivées.
 - ▶ L'écran affiche le temps restant avant le démarrage différé.
 - ▶ Le sélecteur rotatif **1** commence à clignoter lentement.
 - ▶ Une fois l'horaire de départ différé atteint, les fonctions sélectionnées sont activées.



Interruption de la fonction de démarrage différé

Pour annuler la fonction de démarrage différé, appuyez sur le sélecteur rotatif **1** et tournez-le simultanément vers la droite.

- ▶ La fonction de départ différé est annulée.



Pour des raisons de sécurité, lorsqu'un démarrage différé est actif, l'utilisation est verrouillée. Pour apporter des modifications aux paramètres, annulez la fonction de démarrage différé et redémarrez-la ensuite.



10.9. Durée

Vous pouvez déjà définir dans le menu de configuration de la commande de sauna combien de temps au maximum le sauna doit être mis en service en continu (par ex. 6 h pour les saunas privés).

1. Pour affiner ce réglage, sélectionnez à l'aide du sélecteur rotatif **1** le symbole de durée de fonctionnement. Appuyez ensuite brièvement pour ouvrir le sous-menu.
 - ▶ Le sous-menu « Durée de fonctionnement » s'ouvre et l'écran affiche en souligné la dernière durée de fonctionnement paramétrée.
2. Pour modifier la valeur, appuyez sur le sélecteur rotatif.
 - ▶ La valeur apparaît maintenant surlignée en vert et elle peut être modifiée.
 - ▶ L'affichage est indiqué en hh:mm.
 - ▶ Pour valider le paramétrage, appuyez à nouveau sur le sélecteur rotatif.
 - ▶ La valeur paramétrée est enregistrée de façon durable.
3. Pour quitter le sous-menu, déplacez le curseur sur le « symbole Retour » à gauche et validez avec le sélecteur rotatif.



10.10. Mode ECO

La fonction Éco vous permet d'économiser de l'énergie pendant les pauses, entre deux séances de sauna. Avec la fonction Éco, les appareils raccordés fonctionnent en puissance réduite. Vous pouvez choisir des pauses de sauna de 20, 40 ou 60 minutes.

Le poêle de sauna et l'évaporateur se remettent en marche avant la fin de la pause. La température de consigne et l'humidité de consigne sont ainsi atteintes à la fin de la pause sauna.

Pour activer la fonction Éco, suivez les étapes suivantes :

1. Sélectionnez le symbole ECO à l'aide du sélecteur rotatif 1. Appuyez ensuite brièvement pour ouvrir le sous-menu.
 - ▶ Le sous-menu « Mode ECO » s'ouvre et l'écran affiche en surligné la dernière durée de pause utilisée.
2. Pour modifier la durée de pause, appuyez sur le sélecteur rotatif.
 - ▶ La valeur apparaît maintenant surlignée en vert et elle peut être modifiée.
 - ▶ L'affichage est indiqué en minutes.
3. 3 durées de pause différentes sont disponibles :
 - pause sauna de 20 minutes.
 - pause sauna de 40 minutes.
 - pause sauna de 60 minutes.
 - ▶ Pour valider le paramétrage, appuyez à nouveau sur le sélecteur rotatif.
4. Déplacez le curseur (surligné) vers la droite sur « Start » et appuyez brièvement sur le sélecteur rotatif.
 - ▶ La pause sauna est activée.
 - ▶ L'écran affiche le temps restant avant la fin de la pause.
 - ▶ Le sélecteur rotatif 1 commence à clignoter lentement.
5. Pour annuler la pause, appuyez sur le sélecteur rotatif 1 et tournez-le simultanément vers la droite.



10.11. Calendrier hebdomadaire

Le calendrier hebdomadaire vous permet d'activer et de désactiver automatiquement la commande du sauna à certaines heures, certains jours de la semaine et avec certains modes. Dans ce cadre, il est possible de programmer jusqu'à 14 opérations d'activation/désactivation indépendantes les unes des autres. L'utilisation manuelle de la commande du sauna est en même temps illimitée.

Suivez les étapes suivantes pour créer un programme de calendrier hebdomadaire :

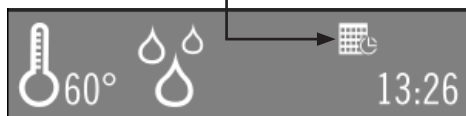
1. Sélectionnez le symbole de calendrier hebdomadaire à l'aide du sélecteur rotatif **[1]**. Appuyez ensuite brièvement pour ouvrir le sous-menu.
 - ▶ Le sous-menu « Calendrier hebdomadaire » et l'écran affiche les options de menu suivantes :
 - Calendrier n° [1 - 14]
 - ▶ Vous pouvez affecter à chaque opération d'activation/désactivation n'importe quel numéro de calendrier entre 1 - 14.
 - Jours de la semaine [Lu - Di]
 - ▶ Vous paramétrez ici quel jour de la semaine le programme actuel doit être exécuté. Vous pouvez sélectionner n'importe quel jour, du lundi au dimanche, ou un groupe, du lundi au dimanche, du lundi au vendredi ou du samedi au dimanche.
 - Heure de démarrage [00:00 - 23:59]
 - ▶ Vous paramétrez ici l'heure à laquelle le programme doit être activé.
 - Heure de fin [00:00 - 23:59]
 - ▶ Vous paramétrez ici l'heure à laquelle le programme doit être désactivé.



La durée de fonctionnement maximum qui a été paramétrée dans le menu de configuration limite ici l'intervalle de temps entre l'heure d'activation et de désactivation. Corrigez éventuellement le paramétrage de la durée de fonctionnement maximale dans le menu de configuration.



- Programmes utilisateur [Finlandais, Combi, 1 -5]
 - ▶ Vous sélectionnez ici le mode qui doit être activé. Vous avez le choix entre sauna Finlandais (chauffage uniquement), Combi (chauffage + évaporateur) ou un des 5 programmes utilisateur configurables.
 - Activation [Act / Dés]
 - ▶ Ici, vous activez ou désactivez les différentes opérations d'activation/désactivation.
2. Quittez le menu de calendrier hebdomadaire pour activer les programmes :
- ▶ Le symbole de calendrier hebdomadaire apparaît dans la zone d'info de l'écran.
 - ▶ Le sélecteur rotatif **1** commence à clignoter lentement.



Lorsque le mode de veille de l'actionnement à distance est activé, tous les programmes de calendrier hebdomadaire sont désactivés pour cette durée. Lorsque le mode de veille de l'actionnement à distance est désactivé, tous les programmes activés auparavant redeviennent actifs.



Le commutateur principal **2** doit rester activé pour que le calendrier hebdomadaire fonctionne.



10.12. Protection enfants

La commande de sauna est équipée d'une protection enfants qui empêche que les enfants puissent mettre en marche le poêle de sauna sans surveillance et de façon involontaire.

- Pour activer la protection enfants, sélectionnez à l'aide du sélecteur rotatif **1** le symbole de protection enfants. Appuyez ensuite brièvement pour activer la protection enfants.
 - ▶ L'écran affiche le symbole de protection enfants et l'utilisation de la commande de sauna est verrouillée.
- Pour désactiver la protection enfants, appuyez sur le sélecteur rotatif **1** et tournez-le simultanément vers la droite.



10.13. Tout désactiver

Pour désactiver en une seule fois toutes les fonctions et tous les consommables activés (y compris lumière colorée DMX), sélectionnez à l'aide du sélecteur rotatif [1] le symbole de désactivation complète. Appuyez ensuite brièvement pour désactiver toutes les fonctions. Les paramètres relatifs au calendrier hebdomadaire sont conservés.



Si vous utilisez un dispositif de lumière colorée DMX, il est conseillé d'utiliser la fonction Tout désactiver après chaque fonctionnement du sana, car même après la désactivation par le commutateur principal [2], il se peut que certains dispositifs de lumière colorée DMX continuent à fonctionner.



10.14. Programmes utilisateur

À l'aide des programmes utilisateur, vous pouvez enregistrer vos réglages de sauna préférés afin de pouvoir y accéder plus facilement. 5 programmes utilisateurs prédéfinis sont à la disposition de l'utilisateur et peuvent être modifiés à sa guise.

Les réglages des fonctions suivantes sont enregistrés dans les programmes utilisateurs :

- Température
- Humidité
- Sortie supplémentaire
- Éclairage
- Ventilateur
- Lumière colorée

FR

Programmes utilisateur prédéfinis :

Les programmes utilisateurs suivants sont déjà prédéfinis :

Programme utilisateur	Température °C	Humidité* %	Éclairage	AUX
1	90	0	Marche	Arrêt
2	70	0	Marche	Arrêt
3	50	60	Marche	Arrêt
4	60	35	Marche	Arrêt
5	0	0	Marche	7

* uniquement si l'évaporateur est activé



Activation d'un programme utilisateur :

3. Sélectionnez le symbole de programme utilisateur à l'aide du sélecteur rotatif **[1]**. Appuyez ensuite brièvement pour ouvrir le sous-menu.
 - ▶ Le sous-menu « Programmes utilisateur » s'ouvre et l'écran affiche en souligné le dernier programme utilisateur utilisé.
4. Appuyez à nouveau sur le sélecteur rotatif pour utiliser un autre programme utilisateur.
 - ▶ La valeur apparaît maintenant surlignée en vert et elle peut être modifiée.
 - ▶ 5 programmes utilisateur sont disponibles [1-5]
 - ▶ Pour valider le paramétrage, appuyez à nouveau sur le sélecteur rotatif.
5. Déplacez le curseur (souligné) vers la droite sur « Start » et appuyez brièvement sur le sélecteur rotatif.
 - ▶ Le programme utilisateur est activé.



Création de programmes utilisateur personnalisés :

Vous pouvez personnaliser les programmes utilisateurs. Le programme personnalisé remplace alors un programme utilisateur pré-régulé. Pour cela, suivez les étapes suivantes :

1. Démarrez toutes les fonctions qui doivent être activées dans le programme utilisateur.
2. Sélectionnez le symbole de programme utilisateur à l'aide du sélecteur rotatif **[1]**. Appuyez ensuite brièvement pour ouvrir le sous-menu.
3. Déplacez le curseur (souligné) vers la gauche sur « Enregistrer » et appuyez brièvement sur le sélecteur rotatif.
 - ▶ Les réglages ont été enregistrés dans le programme utilisateur choisi.
 - ▶ Pour désactiver les programmes utilisateur, utilisez la fonction Tout désactiver.



10.15. Sortie supplémentaire

Vous pouvez raccorder, par exemple, un émetteur infrarouge ou des plaques chauffantes infrarouges à la sortie supplémentaire de la commande de sauna.

Régulation d'intensité à fonction de gradation activée

Lorsque la fonction de gradation de la sortie supplémentaire est activée, vous pouvez régler la puissance de l'appareil sur une échelle de 1 à 7. La valeur 7 correspond à la pleine puissance.

1. Sélectionnez le symbole de sortie supplémentaire à l'aide du sélecteur rotatif [1]. Pressez ensuite brièvement ce dernier pour valider.
 - ▶ Le sous-menu « Sortie supplémentaire » s'ouvre et l'écran affiche en souligné la valeur d'intensité paramétrée pour la sortie supplémentaire.
2. Pour modifier la valeur, appuyez sur le sélecteur rotatif.
 - ▶ La valeur apparaît maintenant surlignée en vert et elle peut être modifiée.
 - ▶ Pour valider le paramétrage, appuyez à nouveau sur le sélecteur rotatif.
3. Déplacez le curseur (souligné) vers la droite sur « Act » et appuyez brièvement sur le sélecteur rotatif.
 - ▶ La sortie supplémentaire est activée.
 - ▶ Le symbole de sortie supplémentaire apparaît dans la zone d'info de l'écran.



Arrêt de la sortie supplémentaire

4. Pour désactiver la sortie supplémentaire, répétez les points 1 et 3.
 - ▶ À la place de « Act », c'est « Dés » qui s'affiche.
 - ▶ Pour quitter le sous-menu, déplacez le curseur sur le « symbole Retour » à gauche et validez avec le sélecteur rotatif.



Régulation d'intensité à fonction de gradation désactivée

Lorsque la fonction de gradation de la sortie supplémentaire est désactivée, vous pouvez uniquement mettre en marche et arrêter l'appareil supplémentaire. L'appareil fonctionne toujours à la puissance maximale.

- Sélectionnez le symbole de sortie supplémentaire à l'aide du sélecteur rotatif **1**. Appuyez ensuite brièvement pour activer ou désactiver la sortie supplémentaire.
 - ▶ Le symbole de sortie supplémentaire apparaît dans la zone d'info de l'écran.



10.16. Activation du mode de veille de l'actionnement à distance

Selon la norme EN 60335-2-53, les commandes de sauna avec fonction d'activation à distance doivent être réglées manuellement sur le mode de fonctionnement « Veille d'actionnement à distance ». Cette activation doit être répétée après chaque procédure de démarrage et d'arrêt à distance.

Démarrage du mode de veille de l'actionnement à distance :

- Sélectionnez le symbole d'activation à distance à l'aide du sélecteur rotatif **1**. Appuyez ensuite brièvement pour démarrer le mode « Veille d'actionnement à distance ».
 - ▶ La commande de sauna désactive toutes les fonctions activées auparavant et l'écran affiche le symbole d'activation à distance.
 - ▶ Le système de démarrage et d'arrêt de la commande de sauna par signal à distance est maintenant opérationnel. Simultanément, aucune utilisation manuelle de la commande de sauna n'est possible.
 - ▶ Le symbole d'activation à distance s'éteint après l'exécution de chaque procédure de démarrage ou d'arrêt à distance ; il faut réactiver ce mode de fonctionnement.

Annulation du mode de veille de l'actionnement à distance :

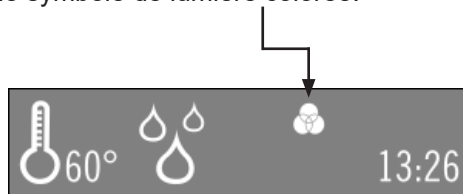
- Pour désactiver le mode de veille de l'actionnement à distance, appuyez sur le sélecteur rotatif **1** et tournez-le simultanément vers la droite.



10.17. Lumière colorée

Activation de la lumière colorée :

- Sélectionnez le symbole de lumière colorée à l'aide du sélecteur rotatif [1]. Appuyez ensuite brièvement pour ouvrir le sous-menu.
 - ▶ Le sous-menu « Lumière colorée » et l'écran affiche les options de menu suivantes :
- Groupe de lumière [1 - 4]
 - ▶ Il est possible de configurer et de faire fonctionner 4 groupes de lumière avec différents paramétrages. Par exemple, le groupe de lumière 1 correspond à l'éclairage de l'arrière du banc, le groupe de lumière 2 à l'éclairage du plafond, etc.
- Mode de lumière
 - ▶ Sélectionnez ici la couleur ou la succession de couleurs du groupe de lumière souhaité.
- Intensité [0 - 100%]
 - ▶ Sélectionnez ici l'intensité du groupe de lumière souhaité.
- Statut [Act / Dés]
 - ▶ Activez ou désactivez ici le groupe de lumière souhaité.
 - ▶ Lorsqu'un groupe de lumière a été activé, la zone d'info de l'écran affiche le symbole de lumière colorée.

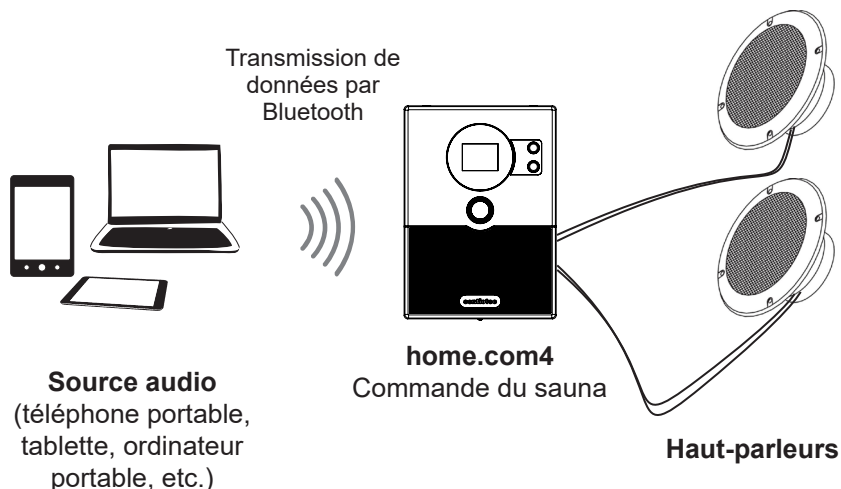


Pour désactiver tous les groupes de lumière colorée, utilisez la fonction Tout désactiver.



10.18. Musique

Le lecteur musical du sauna permet de diffuser de la musique dans le sauna. La musique est alors transmise à la commande de sauna, via une connexion Bluetooth, à partir d'un appareil compatible bluetooth (= source audio). Tous les appareils compatibles Bluetooth, comme la plupart des téléphones portables, tablettes, ordinateurs portables, etc. peuvent être utilisés comme source audio. L'amplificateur est déjà intégré dans la commande de sauna.



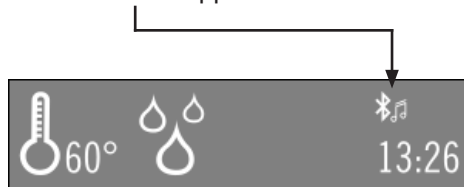
Établissement de la première connexion (couplage, pairing)

1. Allumez la source audio (téléphone portable, tablette, etc.).
2. Mettez la commande de sauna en marche.
3. Activez la fonction Bluetooth de la source audio.
 - ▶ La plupart des appareils recherchent automatiquement d'autres appareils Bluetooth dans l'environnement et les affichent.
 - ▶ La commande de sauna est affichée sur la source audio avec la désignation « home.com4 XXXX ».
 - ▶ XXXX est une référence qui dépend de la commande de sauna (par ex. F39D)
 - ▶ Si un mot de passe vous est demandé, utilisez « 0000 ».



Si votre source audio ne cherche pas automatiquement les appareils Bluetooth dans l'entourage, démarrez la recherche manuellement, par ex. en sélectionnant « Recherche d'appareils » ou une fonction désignée de manière similaire.

4. Sélectionnez « home.com4 » dans la liste d'appareils affichée sur la source audio.
 - ▶ La première connexion Bluetooth entre la source audio et la commande de sauna est établie (= couplage/pairage).
 - ▶ wave.com4 sound est connecté et prêt à fonctionner quand le symbole Bluetooth apparaît dans la zone d'info de l'écran.



5. Lisez la musique avec le lecteur audio de votre source audio.
 - ▶ La musique est diffusée par les haut-parleurs raccordés à la commande de sauna.



Communication téléphonique pendant la lecture musicale

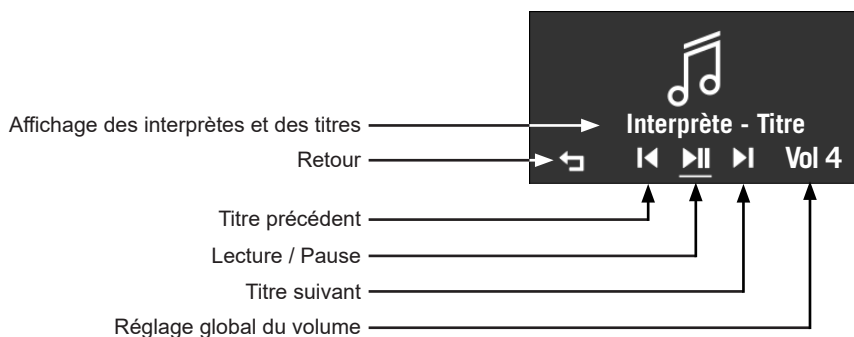
Si vous composez un numéro de téléphone ou recevez un appel, la lecture musicale est automatiquement interrompue et reprise après la conversation téléphonique.

Comme la commande de sauna ne possède pas de microphone, vous devez commuter la sortie son sur votre téléphone portable. Pour ce faire, conformez-vous au mode d'emploi de votre appareil.



Gestion de la musique par la commande de sauna :

- Sélectionnez le symbole de musique avec le sélecteur rotatif [1]. Appuyez ensuite brièvement pour ouvrir le sous-menu.
 - ▶ Le menu « Musique » s'ouvre et l'écran affiche les champs présentés ci-dessous :
 - L'**affichage des interprètes et des titres** présente des infos sur le morceau de musique actuellement diffusé. Si aucune source audio n'est raccordée par Bluetooth, « non connecté » s'affiche ici.
 - Sélectionnez **Retour** pour quitter le menu Musique. Si un morceau de musique est en train d'être diffusé, cela passe en arrière-plan.
 - Sélectionnez **Titre précédent** pour revenir en arrière d'un titre dans la playlist.
 - Appuyez sur **Play / Pause** pour démarrer ou annuler la lecture de la musique.
 - Sélectionnez **Titre suivant** pour sauter un titre dans la playlist.
 - Le **réglage global du volume** peut être réalisé sur la commande de sauna en 4 niveaux. Pour affiner le réglage, il faut passer par la source audio.



10.19. Connexion au BUS (interface RS485)

- En cas de connexion à l'application MySentio, utilisez les éléments de commande de l'application.
- En cas de connexion à votre système de bus domestique, utilisez les commandes de la documentation de l'interface RS485.

11. App Bluetooth

Toutes les fonctions principales de la commande de sauna « home.com4 » peuvent être utilisées et commandées par une app Bluetooth.

Pour cela, téléchargez l'app « home.com4 » dans l'App-Store. L'app est disponible gratuitement aussi bien pour iOS que pour Android.

Selon l'appareil, la portée peut atteindre jusqu'à 30 m en terrain dégagé. L'utilisation de l'app ainsi que la diffusion de musique peuvent se faire à partir d'un seul et même appareil.

Pour vous connecter à la commande home.com4, activez Bluetooth sur votre appareil et démarrez l'app « home.com4 ».

La recherche automatique d'appareils « home.com4 » commence.



icône home.com4



Apple / iOS



Android



AVERTISSEMENT !

Risque d'incendie

Utilisez l'app uniquement si vous vous trouvez à portée de vue du poêle du sauna et pouvez vous assurer qu'AUCUN objet inflammable ne se trouve sur le poêle du sauna !

FR

11.1. Secure Pairing Bluetooth

Pour empêcher les accès externes indésirables par Bluetooth, les fonctions peuvent être activées séparément dans le menu de configuration (page 35).

Si la fonction « Secure Pairing App » et/ou « Secure Pairing Music » est activée, une validation (pression du bouton rotatif) doit avoir lieu sur l'unité de commande lors de l'établissement de la première connexion. Vous y êtes invité par un message qui apparaît sur l'écran de l'unité de commande. Si la connexion a bien été validée, la connexion est établie et l'identifiant de l'appareil est mémorisé de façon permanente dans l'unité de commande. Pour cet appareil, une nouvelle validation n'est donc pas nécessaire.

En cas de besoin, toutes les connexions et tous les appareils enregistrés peuvent être supprimés dans le menu technicien à la rubrique « Delete Paired Devices ».

12. Nettoyage et entretien

12.1. Nettoyage

ATTENTION !

Endommagement de l'appareil

La commande de sauna est protégée contre les projections d'eau, mais un contact direct avec de l'eau peut quand même endommager l'appareil.

- Ne plongez JAMAIS l'appareil dans l'eau.
- Ne versez JAMAIS d'eau sur l'appareil.
- Ne nettoyez pas l'appareil avec trop d'eau.

1. Imbibez un chiffon de savon doux.
2. Essorez bien le chiffon.
3. Essuyez le boîtier de la commande de sauna avec précaution.

12.2. Entretien

La commande de sauna ne nécessite aucun entretien.

13. Élimination



- Éliminez les matériaux d'emballage conformément aux directives en vigueur relatives à l'élimination.
- Les appareils usagés contiennent des matériaux recyclables, mais aussi des substances toxiques. Par conséquent, ne jetez en aucun cas votre appareil usagé avec les déchets ménagers. Éliminez-le conformément aux directives locales en vigueur.

14. Dépannage



14.1. Messages d'erreur

La commande de sauna est équipée d'un logiciel de diagnostic qui contrôle l'état du système pendant la mise en marche et le fonctionnement. Dès que le logiciel de diagnostic détecte une erreur, la commande de sauna éteint le poêle.

Les erreurs apparaissent sur l'écran sous forme de numéro d'erreur. Un bip d'avertissement répétitif est également émis.

Arrêtez la commande de sauna à l'aide du commutateur Marche/Arrêt [2] et éliminez l'erreur avant de rallumer la commande de sauna.

Le tableau présent sur la page de droite décrit les erreurs possibles et leurs causes. Si nécessaire, indiquez le numéro de l'erreur à votre service clientèle.

Si plusieurs erreurs surviennent en même temps, les numéros d'erreurs sont séparés par un *.

14.2. Affichage du manque d'eau



La commande de sauna dispose, en mode mixte, d'un arrêt automatique en cas de manque d'eau (si votre poêle mixte est compatible avec cette fonction).

Si le réservoir d'eau de l'évaporateur est vide, cela vous est signalé par un bip d'avertissement répétitif, le symbole d'humidité et le texte « **Réalimenter en eau** » sur l'écran. L'évaporateur s'arrête simultanément.

- Remplissez le réservoir d'eau.
 - ▶ Au bout de quelques instants, l'avertissement s'éteint et l'évaporateur recommence à chauffer.



Entre le remplissage de l'évaporateur et l'extinction de l'avertissement, il peut s'écouler quelques secondes, car la détection se fait par le commutateur de température dans l'évaporateur.

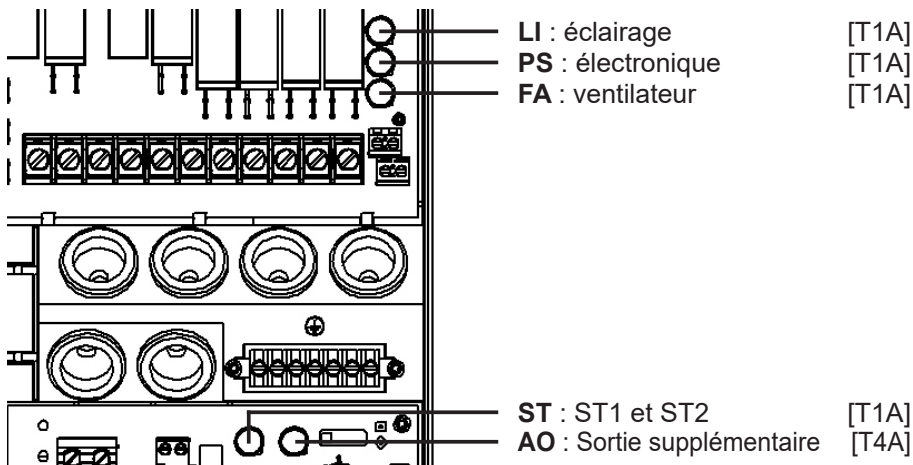
Erreur	Description	Cause/résolution
*01	Arrêt de sécurité	<p>Un objet est posé sur le poêle du sauna. Enlevez-le avant de remettre en service le poêle du sauna.</p> <p>S'il n'y a pas de dispositif d'arrêt de sécurité, reportez-vous à « 5.7. Dispositif d'arrêt de sécurité » à la page 23.</p>
*02	Dispositif de protection contre la surtempérature	La température maximale de 139 °C au-dessus du poêle a été dépassée. Contrôlez le dispositif de protection contre la surtempérature (STB).
*04F1	Dysfonctionnement de la sonde de poêle	Sonde de poêle défectueuse, mauvais contact ou court-circuit. Contrôlez la sonde de poêle (F1).
*05	Dysfonctionnement de la sonde de film	Sonde de film défectueuse, mauvais contact ou court-circuit. Contrôlez la sonde de film (FF).
*06F2	Dysfonctionnement de la sonde de banc	Sonde de banc défectueuse, mauvais contact ou court-circuit. Contrôlez la sonde de banc (F2).
*07	Dysfonctionnement de la sonde d'humidité	Sonde d'humidité défectueuse, mauvais contact ou court-circuit. Contrôlez la sonde d'humidité (FTS2).
*08	Surtempérature de la sonde de film	La température de film maximale de 100 °C est atteinte. Coupez la sortie supplémentaire.

Autres erreurs	Cause/résolution
Absence de fonctionnement	<p>Contrôlez la ligne d'alimentation L1 et la protection PS.</p>
La température de consigne n'est pas atteinte	<ul style="list-style-type: none"> ● La sonde de banc (si elle existe) n'est pas activée dans le menu de configuration ● Puissance du poêle trop faible / Volume de la cabine trop important ● Contrôler l'arrivée et la sortie d'air ● Contrôler la consommation d'énergie de U, V et W.
La lumière colorée continue à marcher bien que la commande soit coupée	<p>Utilisez la fonction « Tout désactiver » pour désactiver la lumière colorée.</p>
Impossible de varier la sortie supplémentaire	<p>Activez la fonction de variation dans le menu de configuration (dimmable)</p>
Le mode se désactive sans raison apparente	<p>Contrôler le paramétrage de la durée de fonctionnement</p>
L'activation à distance ne réagit pas	<ul style="list-style-type: none"> ● La commande doit se trouver en mode « Veille d'actionnement à distance » (voir « 10.16. Activation du mode de veille de l'actionnement à distance » à la page 48) ● Contrôler le câble de RS1 et RS2.
L'heure commence toujours à 00:00	<p>Batterie vide (voir « Batterie » à la page 58)</p>

14.3. Fusibles

Les fusibles de l'éclairage, du ventilateur, de l'extension de puissance, de la sortie supplémentaire et des composants électroniques se trouvent dans la zone de raccordement de la commande du sauna.

Ce sont des microfusibles à retardement. Veuillez mentionner la référence PRO-FUSE pour les commander. Remplacement de fusible : retirez tout droit l'empiècement et insérez l'exemplaire neuf.



14.4. Batterie

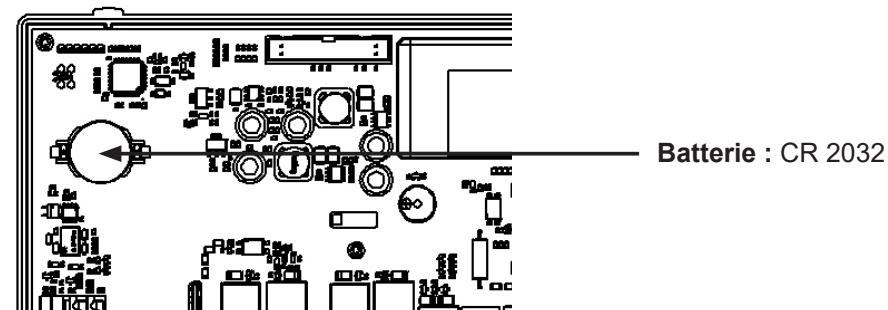
Afin qu'en cas de panne de courant, les paramétrages relatifs à l'heure et à la date ne soient pas perdus, une batterie se trouve dans le module de base. Elle doit au besoin être remplacée, si l'heure ne fonctionne plus correctement.



AVERTISSEMENT !

Décharge électrique

Avant d'ouvrir le couvercle du boîtier, débranchez la commande du sauna du secteur et sécurisez-la contre toute remise sous tension.



15. Caractéristiques techniques

Conditions ambiantes

Température de stockage :	de -25 °C à +70 °C
Température ambiante :	de -10 °C à +40 °C
Humidité de l'air :	max. 95 %

Commande de sauna

Dimensions (l x h x p) :	210 x 294 x 53
Tension de commutation/triphasée 3N :	400 V CA
Fréquence :	50 Hz
Consommation d'énergie veille :	8 W
Puissance de commutation/radiateur :	3 x 3,5 kW
Courant de commutation par phase/radiateur :	16 A
Puissance de commutation/évaporateur :	3,5 kW
Courant de commutation/évaporateur :	16 A
Puissance de commutation/sortie supplémentaire (variable)*	500 W
Puissance de commutation/sortie supplémentaire (commutable)*	3,5 W
Courant de commutation/sortie supplémentaire* :	16 A
Tension nominale :	230 V
Degré de protection (protection contre les projections d'eau) :	IPX4
Raccordement au réseau d'alimentation en raccordement fixe	

Éclairage

Puissance de commutation :	100 W
Fusible :	1 A T

Ventilateur

Puissance de commutation :	100 W
Fusible :	1 A T

Plages de réglage

Température :	de 30 °C à 110 °C
Humidité :	de 0 % à 100 %

L'humidité maximale pouvant être réglée dépend de la température du sauna. Plus la température du sauna est élevée, plus la valeur de l'humidité réglable maximale est basse.

Sécurité thermique

Sonde de poêle avec dispositif de protection contre la surtempérature (température de déclenchement : 139 °C)

Limitation automatique du temps de chauffage réglable (6 h, 12 h, 18 h, 24 h)*

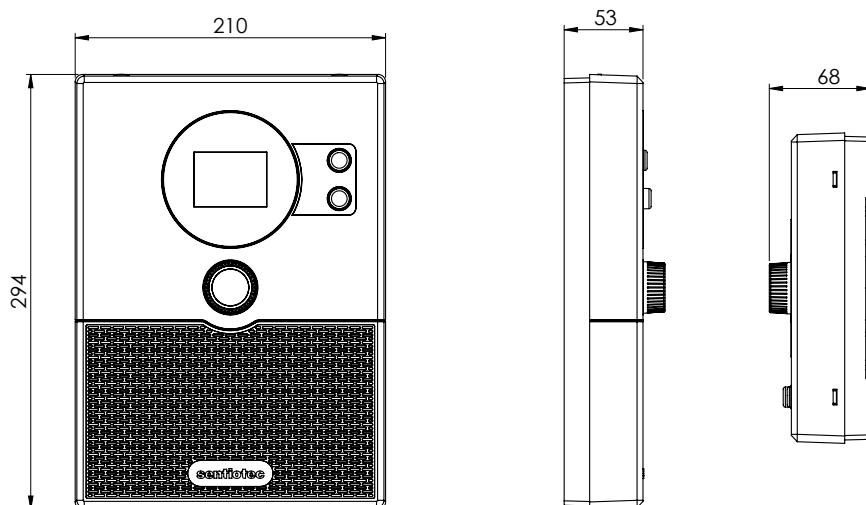
Au choix, fonctionnement à une ou deux sondes

Câbles de raccordement

Câble d'alimentation :	min. 5 x 2,5 mm ²
Câble de poêle (résistant à une température allant jusqu'à 150 °C) :	min. 2,5 mm ²
Câbles de sonde (résistant à une température allant jusqu'à 150 °C) :	min. 0,5 mm ²
Câble d'éclairage :	min. 1,5 mm ²
Câble de ventilateur :	min. 1,5 mm ²

Module d'extension

Puissance d'amplificateur (@ 4 Ω) :	2 x 3 W
Puissance musicale haut-parleur :	~ 25 W
Impédance haut-parleur :	4 Ω ou 8 Ω
Profil Bluetooth :	Bluetooth 4.0 Classe 2
Portée Bluetooth :	20 - 30 m
Profil DMX :	DMX-512-A

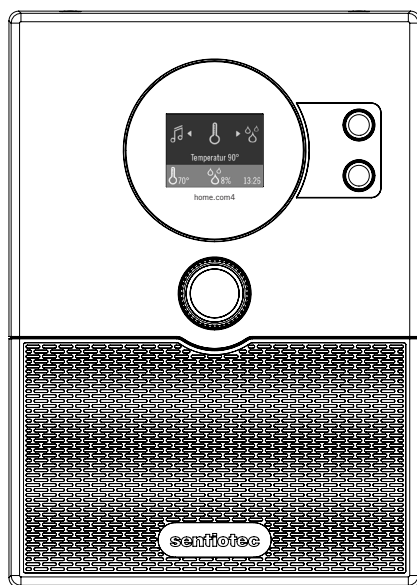


Comando della sauna

home.com4

con interfaccia RS485

ISTRUZIONI DI MONTAGGIO E PER L'USO
Italiano



IT

home.com4 BLACK RS485
home.com4 WHITE RS485

1-052-984 / HC4-B-RS485
1-052-985 / HC4-W-RS485

Indice

1. Informazioni sul presente manuale	5
2. Importanti indicazioni per la sicurezza personale	6
2.1. Conformità d'uso	6
2.2. Indicazioni di sicurezza per l'installatore	7
2.3. Indicazioni di sicurezza per l'utilizzatore	8
3. Descrizione del prodotto	9
3.1. Dotazione	9
3.2. Accessori opzionali	9
3.3. Funzioni del prodotto	9
3.4. Modalità di funzionamento della sauna	11
3.5. Modalità di funzionamento con sensori	11
4. Montaggio	13
4.1. Montaggio dell'unità di comando	13
4.2. Aperture passacavo	16
4.3. Montaggio del sensore della stufa F1 con fusibile termico di protezione	17
4.4. Montaggio del sensore della panca F2 (opzionale)	18
4.5. Montaggio del sensore di temperatura e umidità FTS2 (opzionale)	18
4.6. Montaggio del sensore a membrana (opzionale)	18
5. Collegamento elettrico	19
5.1. Cavo di alimentazione, stufa ed evaporatore	21
5.2. Luce della cabina	21
5.3. Ventilatore	21
5.4. Sensore della stufa F1	22
5.5. Sensore della panca F2 (opzionale)	22
5.6. Sensore di temperatura e umidità FTS2 (opzionale)	22
5.7. Dispositivo di disinserimento di sicurezza	23
5.8. Uscita supplementare	23

5.9.	Sensore a membrana (opzionale)	23
5.10.	Ampliamento della potenza (opzionale)	24
5.11.	Avvio remoto (opzionale).....	24
5.12.	Uscita altoparlanti (opzionale).....	24
5.13.	Uscita DMX (opzionale)	25
5.14.	Collegamento BUS (interfaccia RS485).....	26
5.15.	Conclusione dell'installazione.....	26
6.	Esecuzione delle prove	27
7.	Schema di collegamento	28
7.1.	Schema di collegamento modulo di base per 230 V / 400 V.....	28
7.2.	Schema di collegamento modulo di base tensione inferiore ai 42 V.....	29
7.3.	Schema di collegamento modulo di espansione 230 V.....	30
7.4.	Schema di collegamento modulo di espansione tensione inferiore ai 42 V.....	31
8.	Elementi di comando	32
9.	Messa in funzione	33
9.1.	Menu per il personale tecnico.....	33
10.	Utilizzo	36
10.1.	Accensione della luce (illuminazione per le operazioni di pulizia).....	36
10.2.	Accensione dell'unità di comando.....	36
10.3.	Funzionamento della sauna.....	37
10.4.	Funzionamento combinato	38
10.5.	Programma asciugatura successiva.....	39
10.6.	Luce della cabina	39

10.7.	Ventilatore.....	40
10.8.	Preselezione oraria.....	40
10.9.	Tempo di funzionamento.....	41
10.10.	Modalità ECO.....	42
10.11.	Timer settimanale.....	43
10.12.	Blocco sicurezza bambini.....	44
10.13.	Tutto Off.....	45
10.14.	Programmi utente.....	45
10.15.	Uscita supplementare.....	47
10.16.	Attivazione stand-by per telecomando.....	48
10.17.	Luce colorata.....	49
10.18.	Musica.....	50
10.19.	Collegamento BUS (interfaccia RS485).....	52
11.	App Bluetooth.....	53
11.1.	Secure Pairing Bluetooth.....	53
12.	Pulizia e manutenzione.....	54
12.1.	Pulizia.....	54
12.2.	Manutenzione.....	54
13.	Smaltimento.....	54
14.	Risoluzione dei problemi.....	55
14.1.	Messaggi di errore.....	55
14.2.	Indicazione di mancanza d'acqua.....	55
14.4.	Batteria.....	58
14.3.	Fusibili.....	58
15.	Specifiche tecniche.....	59

1. Informazioni sul presente manuale

Leggere dettagliatamente le presenti istruzioni di montaggio e d'uso e conservarle in prossimità della sauna. Così facendo è possibile controllare in ogni momento le informazioni sulla sicurezza e sull'utilizzo.



Le presenti istruzioni di montaggio e d'uso si trovano anche nell'area di download della nostra pagina web all'indirizzo:
www.sentiotec.com/downloads.

Simboli nelle avvertenze

Nelle presenti istruzioni di montaggio e d'uso, prima di ogni attività che genera un pericolo è applicata un'avvertenza. Osservare sempre queste avvertenze. Così facendo, si evitano danni a beni materiali e lesioni che, nel peggiore dei casi, possono essere addirittura mortali.

Nelle avvertenze vengono utilizzati pittogrammi che hanno i seguenti significati:



PERICOLO!

L'inosservanza di questa avvertenza può causare lesioni gravi o addirittura mortali.



AVVERTENZA!

L'inosservanza di questa avvertenza può causare lesioni gravi o addirittura mortali.



ATTENZIONE!

L'inosservanza di questa avvertenza può causare lesioni lievi.

ATTENZIONE!

Questo pittogramma avverte della possibilità di danni a beni materiali.

Altri simboli



Questo simbolo indica consigli e indicazioni utili.

2. Importanti indicazioni per la sicurezza personale

I comandi della sauna della serie home.com4 sono fabbricati secondo le regole di sicurezza tecnica riconosciute. Tuttavia, durante l'utilizzo possono presentarsi pericoli. Osservare pertanto le seguenti indicazioni di sicurezza e le avvertenze speciali riportate nei singoli capitoli. Osservare anche le indicazioni di sicurezza degli apparecchi collegati.

2.1. Conformità d'uso

I comandi della sauna della serie home.com4 servono esclusivamente per comandare e regolare le funzioni in base ai dati tecnici.

I comandi della sauna della serie home.com4 possono essere utilizzati esclusivamente per il comando e la regolazione di una stufa per sauna omologata secondo la prova di copertura della stufa ai sensi della direttiva EN 60335-2-53 paragrafo 19.101. Se la stufa non soddisfa questo requisito, devono essere prese le opportune misure di sicurezza (ad es.: disinserimento di sicurezza, vedi 5.7a pagina 23).

I comandi della sauna della serie home.com4 devono essere impiegati esclusivamente per il comando e la regolazione di 3 circuiti termici con una potenza termica max di 3,5 kW per ogni circuito termico. La potenza max dell'evaporatore corrisponde a 3,5 kW. La potenza max dell'uscita supplementare corrisponde a 3,5 kW.

Qualsiasi altro utilizzo è considerato improprio. Un utilizzo improprio può causare danni al prodotto e lesioni gravi o mortali.

2.2. Indicazioni di sicurezza per l'installatore

- Il montaggio deve essere eseguito solo da elettricisti o da persone con una qualifica simile.
- I lavori da effettuare sul comando della sauna devono essere eseguiti solo in assenza di tensione.
- Per l'installazione, predisporre sul posto un dispositivo di separazione su tutti i poli con disinnesto totale corrispondente alla categoria di sovratensione III.
- Montare il comando della sauna all'esterno della cabina, a un'altezza di ca. 1,70 m o conformemente alle indicazioni del produttore della cabina. La temperatura ambiente deve essere compresa fra $-10\text{ }^{\circ}\text{C}$ e $+40\text{ }^{\circ}\text{C}$.
- Installare il sensore della stufa in modo che il suo funzionamento non venga condizionato dall'aria in ingresso.
- La linea di alimentazione della stufa deve avere una sezione pari ad almeno $2,5\text{ mm}^2$ e deve essere resistente fino a una temperatura di $150\text{ }^{\circ}\text{C}$.
- Osservare anche le disposizioni locali valide sul luogo di installazione.
- Qualora si presentassero problemi non trattati in modo esaustivo nelle presenti istruzioni di montaggio, per la vostra sicurezza vi preghiamo di rivolgervi al vostro fornitore.

2.3. Indicazioni di sicurezza per l'utilizzatore

- Il comando della sauna non deve essere utilizzato da bambini di età inferiore agli 8 anni.
- Il comando della sauna può essere utilizzato da bambini sopra gli 8 anni di età, da persone con capacità fisiche, sensoriali o mentali limitate o prive della sufficiente esperienza e del know-how necessari nei seguenti casi:
 - se sono in presenza di persone responsabili per loro,
 - se è stato spiegato loro come utilizzare l'apparecchio in modo sicuro e sono chiari i pericoli che ne possono derivare.
- Ai bambini non è permesso giocare con il comando della sauna.
- I bambini al di sotto dei 14 anni possono pulire il comando della sauna solo in presenza di adulti.
- Se si è sotto l'effetto di alcol, medicinali o droghe, per motivi di salute evitare l'uso della sauna.
- Prima di accendere il comando della sauna, assicurarsi che sulla stufa per sauna non si trovino oggetti infiammabili.
- Prima di attivare la funzione dell'orario di preselezione o la modalità stand-by per l'avvio remoto, assicurarsi che sulla stufa non siano presenti oggetti infiammabili.
- Prima di accendere il comando della sauna, assicurarsi che davanti o sull'irradiatore a raggi infrarossi non si trovino oggetti infiammabili.
- Prima di attivare la funzione dell'orario di preselezione o la modalità stand-by per l'avvio remoto, assicurarsi che davanti o sull'irradiatore a raggi infrarossi non siano presenti oggetti infiammabili.
- Qualora si presentassero problemi non trattati in modo esaustivo nelle istruzioni per l'uso, per la vostra sicurezza, vi preghiamo di rivolgervi al vostro fornitore.

3. Descrizione del prodotto

3.1. Dotazione

- Comando della sauna home.com4
- Sensore della stufa con fusibile termico di protezione integrato
- Cavi dei sensori
- Materiale di montaggio
 - 4 x viti per truciolari 3 x 25 mm testa cilindrica con calotta

3.2. Accessori opzionali

- Sensore della panca (1-009-231 / O-F2), cavi del sensore 1,5 m
- Sensore di temperatura e di umidità (1-010-081 / O-FTS2), cavi del sensore 6 m
- Sensore a membrana (1-014-445 / P-ISX-FF), cavi del sensore 3 m
- Ampliamento della potenza (1-008-779 / O-S2-18, 1-009-280 / O-S2-30)
- Disinserimento di sicurezza (SFE-xxxxx)

3.3. Funzioni del prodotto

Il comando della sauna home.com4 dispone delle seguenti funzioni:

- Regolazione di stufe combinate con potenza termica fino a 10,5 kW e potenza dell'evaporatore fino a 3,5 W in un intervallo di temperatura compreso fra 30 °C e 110 °C e in un intervallo di umidità compreso fra 0 e 100%.
- Grazie all'ampliamento della potenza, il potere di rottura massimo può essere aumentato da 10,5 kW a 18/30 kW.
- Attivazione di una luce all'interno della cabina (fino a 100 W)
- Attivazione di un ventilatore (fino a 100 W)
- Funzione di preselezione oraria (fino a 6 ore)
- Programmi utente
Utilizzando i programmi utente è possibile memorizzare e richiamare nuovamente le impostazioni della sauna preferite. Sono disponibili 5 programmi utente preimpostati che l'utente può modificare a suo piacimento.
- Limitazione automatica del tempo di riscaldamento
Il tempo di riscaldamento massimo impostabile può essere di 6 h, 12 h, 18 h o 24 h.

- Fusibile termico di protezione
Il fusibile termico di protezione è installato nell'alloggiamento del sensore della stufa. Se dopo che è stata raggiunta la temperatura desiderata, la stufa per sauna continua a riscaldare a causa di un guasto, il fusibile termico di protezione disattiva automaticamente la stufa quando vengono raggiunti i 139 °C.
- Orologio con timer settimanale
- Programma di asciugatura successiva
Dopo il funzionamento combinato viene avviato automaticamente il programma di asciugatura successiva per impedire la formazione di muffe nella cabina della sauna. In questo modo la cabina della sauna viene riscaldata per 30 minuti a 80 °C a ventilatore attivato.
- Uscita supplementare
A scelta, regolazione dell'intensità (fino a 500 W) o attivazione (fino a 3,5 kW) dell'uscita supplementare.

L'uscita supplementare non ha il fusibile termico di protezione. Per questo motivo all'uscita supplementare devono essere collegati soltanto i dispositivi a sicurezza intrinseca.

- Se all'uscita supplementare vengono collegati irradiatori a raggi infrarossi, essi devono essere dotati di un fusibile termico di protezione.
- Se all'uscita supplementare vengono collegati pannelli radianti a infrarossi, deve essere impiegato il sensore a membrana 1-014-445 / P-ISX-FF e quest'ultimo deve essere attivato nel menu per il personale tecnico (vedi **“9.1. Menu per il personale tecnico” a pagina 33**):
- Avvio remoto di 2 modalità di funzionamento o programmi utente differenti.
- Comando luce colorata tramite DMX
 - Regolazione di colore, luminosità, periodi transitori e durata.
 - 4 gruppi di luce colorata regolabili in modo indipendente fra loro.
- Riproduzione di musica tramite Bluetooth®
 - Amplificatore integrato
- Utilizzo tramite app Bluetooth®
 - Disponibile per iOS e Android
- Collegamento BUS
 - Collegamento al sistema bus domestico tramite interfaccia RS485
 - Collegamento a MySentio Wifi

3.4. Modalità di funzionamento della sauna

Il comando della sauna home.com4 consente due modalità di funzionamento: funzionamento sauna e funzionamento combinato. Se non si collega un evaporatore, la voce di menu per l'utilizzo di quest'ultimo può essere nascosta (vedi "9.1. Menu per il personale tecnico" a pagina 33).

Funzionamento della sauna

Durante il funzionamento della sauna è presente aria calda e secca. La temperatura nella cabina è elevata (80-100 °C). Il livello di umidità è basso e corrisponde al massimo al 10%.

Funzionamento combinato

Nel funzionamento combinato oltre alla stufa per sauna è in funzione anche l'evaporatore. La temperatura nella cabina della sauna è inferiore (ca. 40 - 65 °C) rispetto a quella durante il funzionamento della sauna, mentre l'umidità relativa dell'aria è decisamente maggiore, con valori compresi fra il 35% e il 70%. Il valore nominale massimo impostabile per l'umidità dipende comunque dalla temperatura presente nella sauna. Maggiore è la temperatura, minore sarà il valore massimo impostabile per l'umidità.

3.5. Modalità di funzionamento con sensori

I comandi della sauna della serie home.com4 possono essere utilizzati con uno o con due sensori. Come secondo sensore può essere utilizzato un sensore di temperatura (sensore della panca, F2) o un sensore di temperatura e umidità (FTS2).

Funzionamento a un sensore (F1)

Nel funzionamento con un sensore, il valore massimo impostabile per l'umidità è legato alla temperatura presente sopra la stufa e l'umidità è regolata a tempo. Nel display del comando della sauna viene visualizzato solamente il valore nominale relativo all'umidità (umidità relativa dell'aria in valore percentuale). Nella modalità con umidità temporizzata, l'umidità effettiva presente nella cabina della sauna è legata alle dimensioni della cabina e alla potenza dell'evaporatore e può differire dal valore nominale impostato.

Funzionamento con due sensori con l'impiego del sensore della panca (F2)

Nel funzionamento a due sensori con il sensore della panca, sulla panca posteriore della sauna viene montato un secondo sensore della temperatura (sensore della panca). Il comando della sauna visualizza come temperatura effettiva la temperatura misurata dal sensore della panca.

Nel funzionamento a due sensori con il sensore della panca, l'umidità viene regolata a tempo. Nel display del comando della sauna viene visualizzato solamente il valore nominale relativo all'umidità (umidità relativa dell'aria in valore percentuale). Nella modalità con umidità temporizzata, l'umidità effettiva presente nella cabina della sauna è legata alle dimensioni della cabina e alla potenza dell'evaporatore e può differire dal valore nominale impostato.

Funzionamento con due sensori con l'impiego del sensore di temperatura e di umidità (FTS2)

Se nel funzionamento con due sensori viene impiegato il sensore di temperatura e di umidità, il comando della sauna visualizza come temperatura effettiva la temperatura misurata da questo sensore.

Nel funzionamento con due sensori, con impiego del sensore di temperatura e umidità, l'evaporatore è regolato in base all'umidità misurata all'interno della cabina. Nel display del comando della sauna viene visualizzato solamente il valore effettivo relativo all'umidità presente nella cabina della sauna (umidità relativa dell'aria in valore percentuale).

Se si collega un sensore di temperatura e umidità, la voce di menu "Evaporatore" non può essere nascosta.

4. Montaggio

4.1. Montaggio dell'unità di comando

ATTENZIONE!***Danni all'apparecchio***

Il comando della sauna è protetto dagli spruzzi d'acqua, tuttavia il contatto diretto con l'acqua può danneggiare l'apparecchio.

- Montare il comando della sauna in un luogo asciutto, con un'umidità massima dell'aria non superiore al 95%.
-

ATTENZIONE!***Fonti di interferenza compromettono la trasmissione dei segnali***

- Posare tutti i cavi dei sensori in modo che siano separati da altri cavi di alimentazione e dai cavi di comando.
 - Proteggere i cavi con isolamento singolo con un tubo (doppio isolamento).
-

Durante il montaggio del comando della sauna osservare i seguenti punti:

- Montare il comando della sauna all'esterno della cabina o conformemente alle indicazioni del produttore della cabina.
- La temperatura ambiente deve essere compresa fra -10 °C e $+40\text{ °C}$.
- Tutti i sensori possono essere collegati solamente con i rispettivi cavi in dotazione, che sono resistenti fino a una temperatura di 150 °C .



I cavi dei sensori possono essere prolungati in presenza delle seguenti condizioni:

- Impiego di un cavo isolato in silicone resistente fino a una temperatura di 150 °C .
 - La sezione minima del cavo è di $0,5\text{ mm}^2$.
 - I cavi del sensore della stufa NON devono superare la lunghezza massima di 10 m.
-

Montaggio del comando della sauna

Per il montaggio del comando della sauna eseguire i seguenti passaggi:

1. Avvitare due viti per truciolari ($3 \times 25\text{ mm}$) sulla parete della sauna a un'altezza di ca. 1,70 m lasciandole fuoriuscire di max. 7 mm. Le due viti devono essere posizionate a una distanza di 156 mm l'una dall'altra (vedi **Fig. 1**).

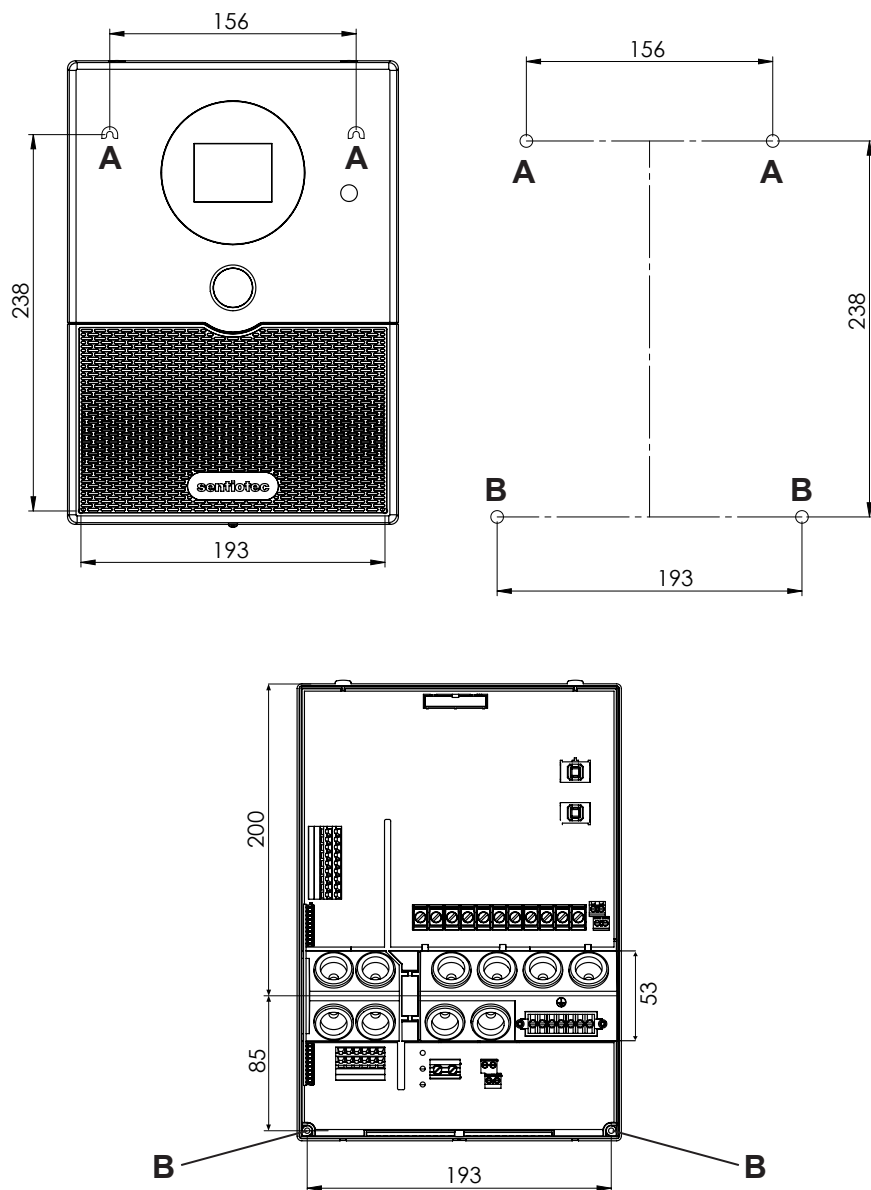


Fig. 1 Posizione del dispositivo di sospensione e dei fori di montaggio (misure in mm)

2. Rimuovere con un cacciavite la vite dell'alloggiamento **C** e sollevare il coperchio dell'alloggiamento dal lato inferiore (vedi **Fig. 2**).

ATTENZIONE!

Sollevando il coperchio dell'alloggiamento, l'interruttore On/Off **D** e l'interruttore della luce **D** si allentano dalla rispettiva sede di fissaggio. Conservare tali interruttori per la durata dei lavori di collegamento.

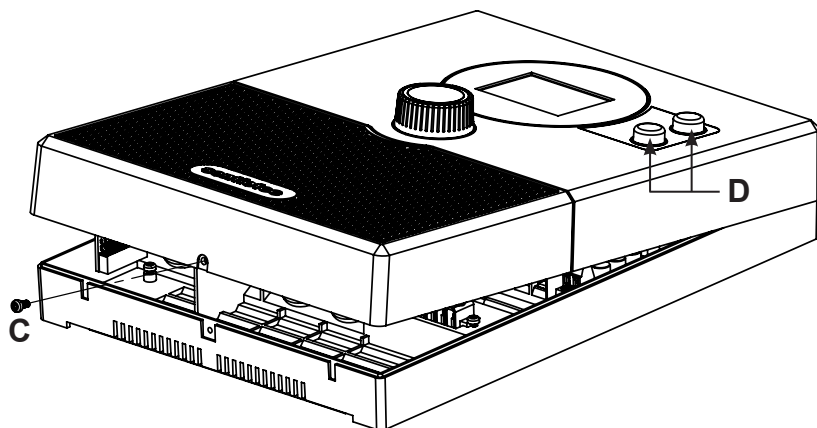


Fig. 2 Rimozione del coperchio dell'alloggiamento

3. Tirare con cautela dal cavo a nastro **E** per allentarlo dalla presa di collegamento (**Fig. 3**).

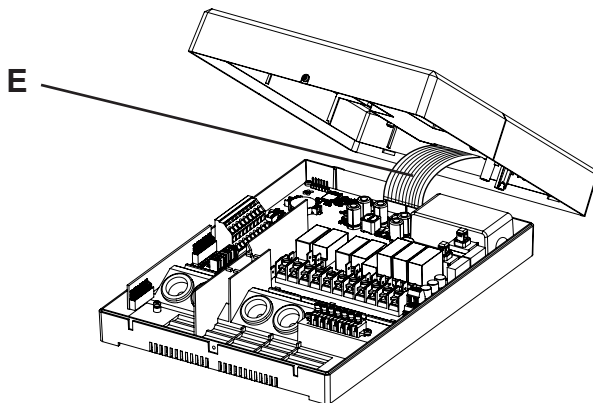


Fig. 3 Distacco del cavo a nastro

4. Con l'ausilio del dispositivo di sospensione **A**, agganciare il comando della sauna alle viti con intaglio a croce montate (vedi **Fig. 1**).
5. Avvitare due viti per truciolari (3 x 25 mm) nei fori di fissaggio inferiori **B** (vedi **Fig. 1**).

4.2. Aperture passacavo

I cavi di collegamento, di alimentazione e dei sensori devono essere prima posati nella parete della cabina, facendoli passare attraverso le rispettive aperture passacavo del comando della sauna.

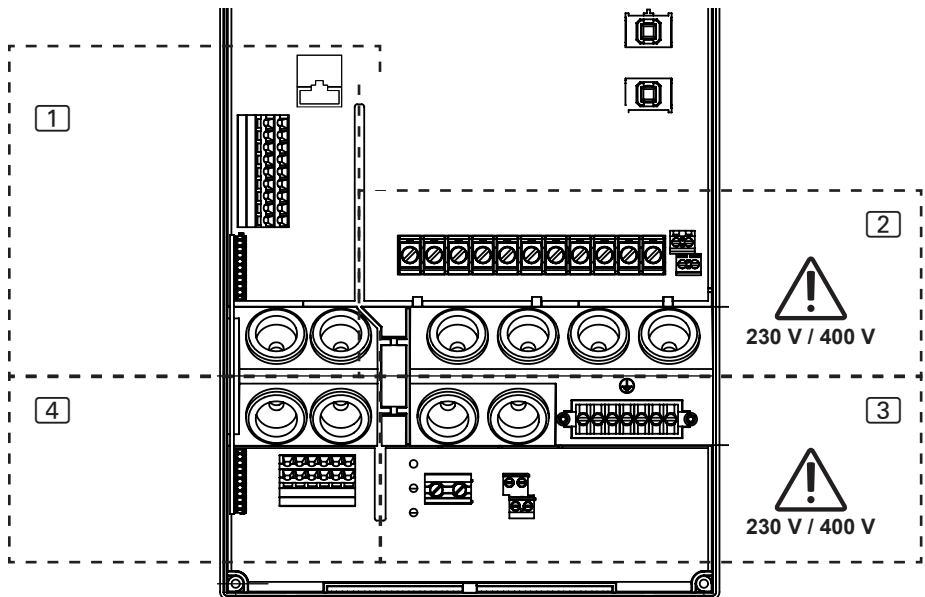


Fig. 4 Zone di collegamento

- 1** Zona di collegamento modulo di base tensione inferiore ai 42 V: Sensore della stufa (F1), sensore della panca (F2), sensore di umidità (FTS2), disinserimento di sicurezza (OSG) e collegamento BUS
 - 2** Zona di collegamento modulo di base per 230 V / 400 V: cavo di alimentazione, cavo della stufa, luce e ventilatore.
- Modulo di espansione:**
- 3** Zona di collegamento per 230 V: uscita supplementare e ampliamento della potenza.
 - 4** Zona di collegamento tensione inferiore ai 42 V: cavi altoparlanti, avvio remoto, sensore a membrana e DMX.

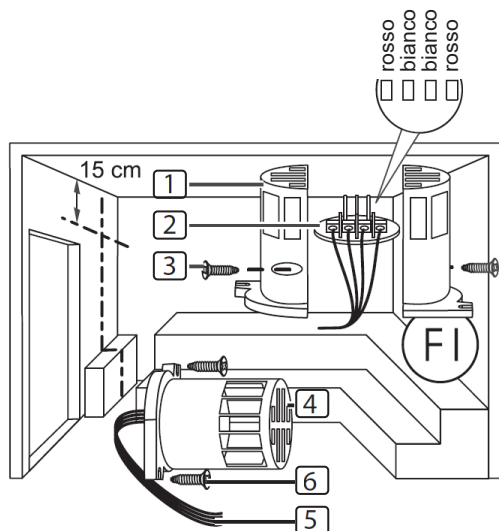
4.3. Montaggio del sensore della stufa F1 con fusibile termico di protezione

Durante il montaggio del sensore della stufa osservare i seguenti punti:

- Montare il sensore sul lato posteriore della stufa, posizionandolo sopra il punto centrale della stufa. Rispettare a riguardo una distanza di ca. 15 cm dal soffitto della cabina.
- Installare il sensore della stufa in modo che il suo funzionamento non venga condizionato dall'aria in ingresso.

Per il montaggio del sensore della stufa eseguire i seguenti passaggi (vedi **Fig. 5**):

1. Posare i due cavi a 2 poli del sensore della stufa nella parete della cabina della sauna fino alla posizione di montaggio del sensore della stufa e fissare i cavi con le fascette serracavi.
2. Separare i 2 semigusci [1] del sensore della stufa.
3. Collegare i quattro pin del cavo del sensore della stufa [5] conformemente alla **Fig. 5**.
4. Posizionare la piastra di collegamento [2] nei semigusci del sensore della stufa in senso trasversale (come indicato nella **Fig. 5**).
5. Chiudere i semigusci, avvitarli con le 2 viti con intaglio a croce [3] (9 mm) e controllare se il sensore della stufa è perfettamente chiuso.
6. Montare il sensore della stufa sul lato posteriore della stufa utilizzando le due viti per legno in dotazione [6] (16 mm).



- [1] Semigusci del sensore della stufa
- [2] Piastra di collegamento
- [3] Viti con intaglio a croce (9 mm)
- [4] Sensore della stufa
- [5] Cavi del sensore della stufa
- [6] Viti per legno (16 mm)

Fig. 5 Montaggio del sensore della stufa

4.4. Montaggio del sensore della panca F2 (opzionale)

Montare il sensore della panca sulla parete della cabina posizionandolo sopra la panca posteriore. Rispettare a riguardo una distanza di ca. 15 cm dal soffitto della cabina.

Per il montaggio del sensore della panca eseguire i seguenti passaggi:

1. Posare il cavo a 2 poli del sensore della panca nella parete della cabina della sauna fino alla posizione di montaggio dello stesso sensore e fissarne i cavi con le fascette serracavi.
2. Separare i 2 semigusci del sensore della panca.
3. Collegare i due raccordi del cavo del sensore della panca ai due morsetti centrali della piastra di collegamento.
4. Posizionare la piastra di collegamento nei semigusci del sensore della panca in senso trasversale.
5. Chiudere i semigusci e avvitarli con le 2 viti con intaglio a croce (9 mm).
6. Controllare se il sensore della panca è perfettamente chiuso.
7. Montare il sensore della panca sulla parete della cabina utilizzando le 2 viti per legno in dotazione (16 mm).

4.5. Montaggio del sensore di temperatura e umidità FTS2 (opzionale)

Montare il sensore di umidità e temperatura sulla parete della cabina posizionandolo sopra la panca posteriore. Rispettare a riguardo una distanza di ca. 15 cm dal soffitto della cabina.

Per il montaggio del sensore di temperatura e di umidità eseguire i seguenti passaggi:

1. Posare il cavo a 5 poli del sensore nella parete della cabina della sauna fino alla posizione di montaggio del sensore di temperatura e umidità e fissare i rispettivi cavi con le fascette serracavi.
2. Montare il sensore di temperatura e umidità sulla parete della cabina utilizzando le due viti per legno in dotazione (16 mm).

4.6. Montaggio del sensore a membrana (opzionale)

Se all'uscita supplementare viene collegato un pannello radiante a infrarossi sentiotec, è necessario utilizzare il sensore a membrana 1-014-445 / P-ISX-FF.

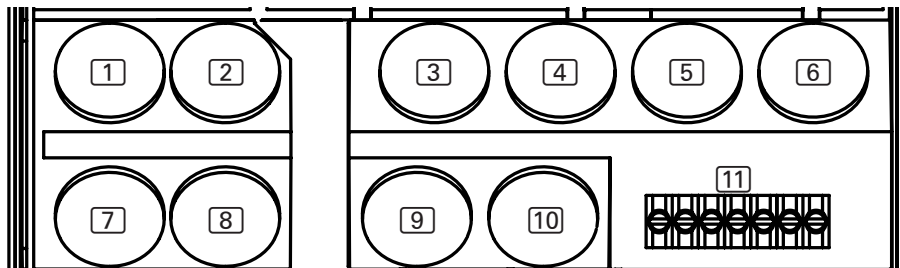
- Per il montaggio del sensore a membrana osservare le istruzioni per l'uso dei pannelli radianti a infrarossi.
- L'impiego di un sensore a membrana deve essere attivato nel menu personale tecnico.

5. Collegamento elettrico

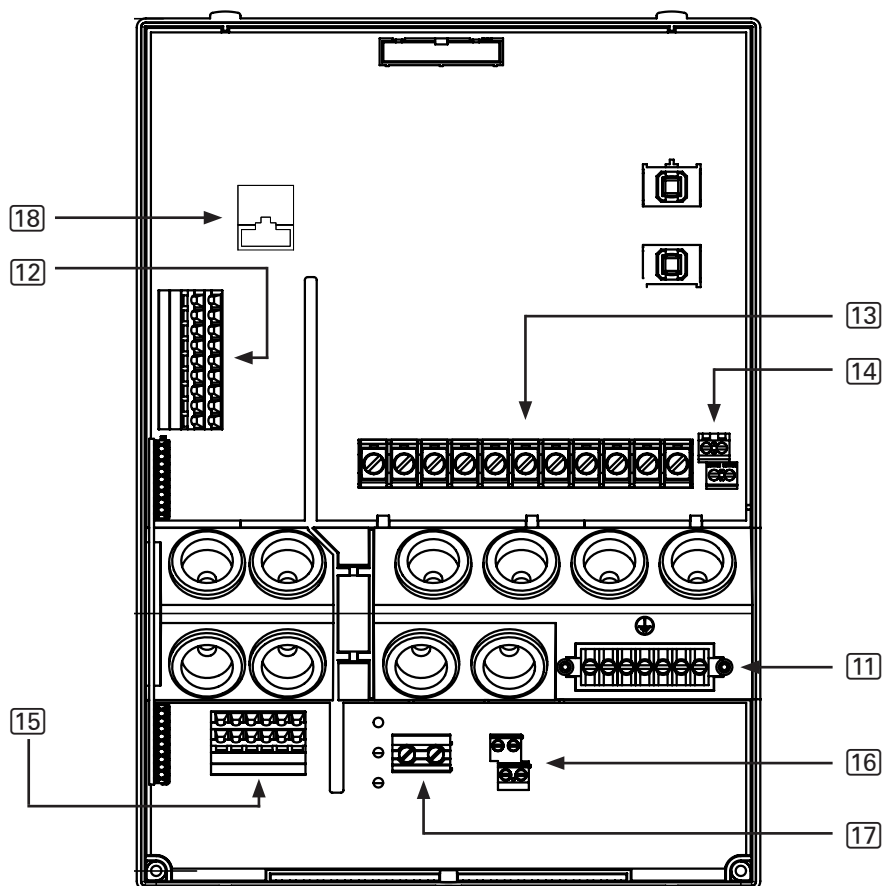
ATTENZIONE!

Danni all'apparecchio

- Il comando della sauna può essere impiegato esclusivamente per il comando e la regolazione di 3 circuiti termici con una potenza termica max di 3,5 kW per ogni circuito. La potenza max dell'evaporatore corrisponde a 3,5 kW. La potenza max dell'uscita supplementare corrisponde a 3,5 kW.



- 1 Passacavo per il sensore FTS2, linea BUS RS485
- 2 Passacavo per sensore F1, sensore F2 e dispositivo di disinserimento di sicurezza
- 3 Passacavo per il cavo dell'evaporatore
- 4 Passacavo per il cavo della stufa
- 5 Passacavo per cavo di alimentazione
- 6 Passacavo per luce e ventilatore
- 7 Passacavo per cavi degli altoparlanti e cavo DMX
- 8 Passacavo per avvio remoto e sensore a membrana
- 9 Passacavo per uscita supplementare
- 10 Passacavo per l'ampliamento della potenza
- 11 Sbarra collettiva di terra



- 11 Sbarra collettrice di terra
- 12 Morsettiera per dispositivo di disinserimento di sicurezza e cavi dei sensori
- 13 Morsettiera per cavo della stufa, cavo dell'evaporatore e cavi di alimentazione
- 14 Morsettiera per luce e ventilatore
- 15 Morsettiera per DMX, altoparlanti, avvio remoto e sensore a membrana
- 16 Morsettiera per uscita supplementare
- 17 Morsettiera per l'ampliamento della potenza
- 18 Interfaccia BUS per RS485 (RJ45)

Durante il collegamento elettrico del comando della sauna osservare i seguenti punti:

- Il montaggio deve essere eseguito solo da elettricisti o da persone con una qualifica simile.



Prestare attenzione che in caso di richiesta delle prestazioni di garanzia è necessario presentare una copia della fattura rilasciata dalla ditta di elettricisti.

- I lavori da effettuare sul comando della sauna devono essere eseguiti solo in assenza di tensione.
- L'alimentazione elettrica deve essere garantita mediante un collegamento fisso.
- Per l'installazione, predisporre sul posto un dispositivo di separazione su tutti i poli con disinnesco totale corrispondente alla categoria di sovratensione III.
- Osservare il capitolo **“7. Schema di collegamento” a pagina 28**.

5.1. Cavo di alimentazione, stufa ed evaporatore

1. Far passare i cavi di alimentazione, della stufa e dell'evaporatore attraverso i passacavi [3], [4], [5] nella zona di collegamento per 230 V / 400 V.
2. Collegare i cavi di collegamento alla morsettiera [13] secondo lo schema di collegamento. Osservare in tal caso le istruzioni per l'uso dei rispettivi apparecchi.

5.2. Luce della cabina

1. Far passare il cavo della luce attraverso il passacavo [6] e inserirlo nella zona di collegamento per la tensione a 230 V / 400 V.
2. Collegare il cavo della luce alla morsettiera [14] secondo lo schema di collegamento. Osservare in tal caso le istruzioni per l'uso del rispettivo apparecchio.

5.3. Ventilatore

1. Far passare il cavo del ventilatore attraverso il passacavo [6] e inserirlo nella zona di collegamento per la tensione a 230 V / 400 V.
2. Collegare il cavo del ventilatore alla morsettiera [14] secondo lo schema di collegamento. Osservare in tal caso le istruzioni per l'uso del rispettivo apparecchio.

5.4. Sensore della stufa F1

1. Far passare i cavi del sensore della stufa attraverso il passacavo [2] e inserirli nella zona di collegamento per la tensione inferiore ai 42 V.
2. Collegare i cavi rossi del sensore della stufa ai morsetti con la dicitura “**STB**” sulla morsettiera [12].
3. Collegare i cavi bianchi del sensore della stufa ai morsetti con la dicitura “**F1**” sulla morsettiera [12].

5.5. Sensore della panca F2 (opzionale)

1. Far passare i cavi del sensore della panca attraverso il passacavo [2] e inserirli nella zona di collegamento per la tensione inferiore ai 42 V.
2. Collegare i cavi del sensore della panca ai morsetti con la dicitura “**F2**” sulla morsettiera [12].

5.6. Sensore di temperatura e umidità FTS2 (opzionale)

1. Far passare i cavi del sensore attraverso il passacavo [1] e inserirli nella zona di collegamento per la tensione inferiore ai 42 V.
2. Collegare i cavi del sensore di temperatura ai morsetti con la dicitura “**F2**” sulla morsettiera [12].
 - a. Collegare il cavo nero al morsetto destro.
 - b. Collegare il cavo marrone al morsetto sinistro.
3. Collegare i cavi del sensore di umidità ai morsetti con la dicitura “**FTS2**” sulla morsettiera [12].
 - c. Collegare il cavo verde al morsetto “**GREEN**”.
 - d. Collegare il cavo arancione al morsetto “**ORANGE**”.
 - e. Collegare il cavo rosso al morsetto “**RED**”.

5.7. Dispositivo di disinserimento di sicurezza

I comandi della sauna dotati di telecontrollo possono essere utilizzati esclusivamente per il comando e la regolazione di una stufa per sauna omologata secondo la prova di copertura della stufa ai sensi della direttiva EN 60335-2-53 paragrafo 19.101. In alternativa, nella/sulla stufa può essere installato un dispositivo di disinserimento di sicurezza corrispondente, che disattiva la stufa per sauna se su quest'ultima vengono appoggiati oggetti, come ad es. un asciugamano.

Per il montaggio del dispositivo di sicurezza per lo spegnimento automatico eseguire i seguenti passaggi:

1. Montare il dispositivo di sicurezza per lo spegnimento automatico conformemente alle istruzioni per l'uso dell'apparecchio.
2. Far passare i cavi del dispositivo di disinserimento di sicurezza attraverso il passacavo [2] e inserirli nella zona di collegamento per la tensione inferiore ai 42 V.
3. Collegare i cavi ai morsetti con la dicitura "OSG" sulla morsettiera [12].



Se non viene montato il dispositivo di disinserimento di sicurezza, nei morsetti deve essere montato un ponticello con la scritta "OSG".

5.8. Uscita supplementare

L'uscita supplementare può essere utilizzata ad esempio per l'irradiatore a raggi infrarossi o i pannelli radianti a infrarossi.

1. Far passare il cavo di collegamento del dispositivo supplementare attraverso il passacavo [9] e inserirlo nella zona di collegamento per la tensione a 230 V / 400 V.
2. Collegare i cavi di collegamento alla morsettiera [16] secondo lo schema di collegamento. Osservare in tal caso le istruzioni per l'uso e le indicazioni di sicurezza del rispettivo apparecchio.

IT

Attenersi assolutamente alla potenza allacciata massima dell'uscita supplementare:

- Intensità regolabile fino a max. 500 W
- Attivabile fino a max. 3500 W

5.9. Sensore a membrana (opzionale)

1. Far passare i cavi del sensore attraverso il passacavo [8] e inserirli nella zona di collegamento per la tensione inferiore ai 42 V sul modulo di espansione.
2. Collegare i cavi del sensore ai morsetti con la dicitura "FOIL SENSOR" sulla morsettiera [15].

5.10. Ampliamento della potenza (opzionale)

1. Far passare il cavo dell'ampliamento della potenza attraverso il passacavo [10] e inserirlo nella zona di collegamento per la tensione a 230 V / 400 V.
2. Collegare il cavo dell'ampliamento della potenza alla morsettiera [17] secondo lo schema di collegamento. Utilizzare in tal caso il morsetto "ST1" per il circuito di sicurezza e il morsetto "ST2" per il circuito di comando. Osservare le istruzioni per l'uso del rispettivo apparecchio.

5.11. Avvio remoto (opzionale)

Il collegamento avviene attraverso i morsetti "RS1", "RS2" e "24VDC" sulla morsettiera [15].

La tensione +24 VDC deve essere attivata sul morsetto per la modalità di funzionamento desiderata RS1 o RS2 mediante un interruttore o un attuatore.

Nel menu personale tecnico è possibile assegnare a RS1 e RS2 una qualsiasi modalità di funzionamento o programma utente (vedi "10.16. Attivazione stand-by per telecontrollo" a pagina 48).

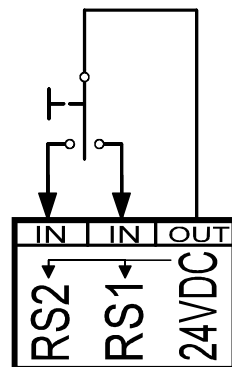


Fig. 6 Avvio remoto

5.12. Uscita altoparlanti (opzionale)

Sull'uscita altoparlanti è possibile collegare altoparlanti comunemente reperibili in commercio con una potenza musicale di ca. 25 W. L'impedenza deve attestarsi sugli 8 Ω. La sezione minima dei cavi degli altoparlanti è pari a 2 x 0,5 mm².

1. Far passare i cavi degli altoparlanti attraverso il passacavo [7] e inserirli nella zona di collegamento per la tensione inferiore ai 42 V sul modulo di espansione.
2. Collegare i cavi degli altoparlanti sul morsetto [15] con la dicitura RS- e RS+ per l'altoparlante destro nonché LS- e LS+ per l'altoparlante sinistro. Per una fruizione acustica ottimale, prestare attenzione alla polarità dei cavi di collegamento.

5.13. Uscita DMX (opzionale)

1. Far passare i cavi di collegamento DMX attraverso il passacavo **[7]** e inserirli nella zona di collegamento per la tensione inferiore ai 42 V sul modulo di espansione.
2. Collegare i cavi di collegamento DMX alla morsettiera **[15]** in base alle diciture.
 - **DMX A** (DATA +)
 - **DMX B** (DATA -)
 - **GND** (massa/schermo)

Sono supportati 4 protocolli DMX diversi emessi contemporaneamente sull'uscita DMX:

1. RGBW 8 bit
2. RGBW 16 bit
3. Tonalità - valore - saturazione 8 bit (ad es. per apparecchi policromatici COLLAXX)
4. Tonalità - saturazione - valore 8 bit

Utilizzare la seguente panoramica di indirizzi per integrare l'apparecchio policromatico nel comando della sauna.

RGBW_8BIT

- Inizio indirizzo: Canale 1
 - ▶ Canale gruppo luce 1: **1**
 - ▶ Canale gruppo luce 2: **5**
 - ▶ Canale gruppo luce 3: **9**
 - ▶ Canale gruppo luce 4: **13**

RGBW_16BIT

- Inizio indirizzo: Canale 17
 - ▶ Canale gruppo luce 1: **17**
 - ▶ Canale gruppo luce 2: **25**
 - ▶ Canale gruppo luce 3: **33**
 - ▶ Canale gruppo luce 4: **41**

COLLAXX (TONALITÀ - VALORE - SATURAZIONE, 8 bit)

- Inizio indirizzo: Canale 49
 - ▶ Canale gruppo luce 1: **49**
 - ▶ Canale gruppo luce 2: **52**
 - ▶ Canale gruppo luce 3: **55**
 - ▶ Canale gruppo luce 4: **58**

HSV (TONALITÀ - SATURAZIONE - VALORE, 8 bit)

- Inizio indirizzo: Canale 61
 - ▶ Canale gruppo luce 1: **61**
 - ▶ Canale gruppo luce 2: **64**
 - ▶ Canale gruppo luce 3: **67**
 - ▶ Canale gruppo luce 4: **70**

5.14. Collegamento BUS (interfaccia RS485)

1. Far passare le linee dati RJ45 attraverso il passacavo **[1]** nella zona di collegamento per bassissima tensione.
2. Collegare la linea dati alla presa RJ45 **[18]**.
3. Osservare le istruzioni per l'uso e le indicazioni di sicurezza del relativo dispositivo (collegamento RS485, MySentio Wifi, ...).

5.15. Conclusione dell'installazione

1. Collegare i conduttori di terra del cavo di alimentazione e di tutti i dispositivi alla barra di messa a terra **[11]**.
2. Collocare il coperchio dell'alloggiamento sul bordo superiore e collegare il cavo a nastro con la parte inferiore dell'alloggiamento.
3. Premere verso il basso la parte superiore dell'alloggiamento e avvitare l'apposita vite utilizzando un cacciavite.
4. Infine, inserire i 2 tasti (interruttore On/Off e interruttore della luce) nella parte superiore dell'alloggiamento finché scattano in posizione in modo udibile.

6. Esecuzione delle prove



AVVERTENZA!

Le seguenti prove vengono eseguite con l'alimentazione elettrica inserita. Sussiste pericolo di scossa elettrica!

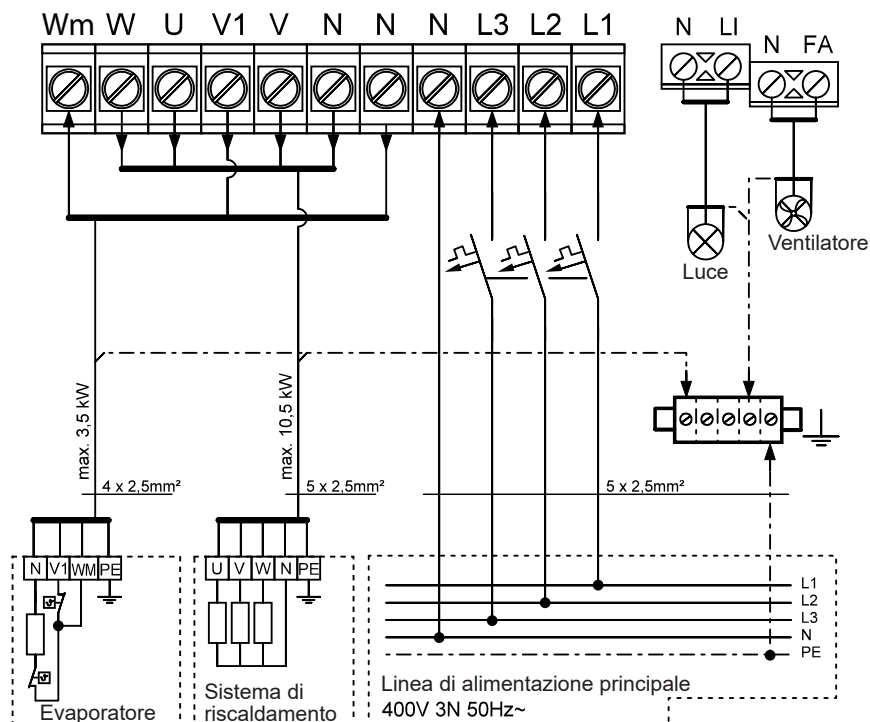
- NON toccare MAI le parti sotto tensione.

Le seguenti prove devono essere eseguite da un elettricista autorizzato.

1. Controllare il contatto dei cavi di messa a terra sul morsetto di terra.
2. Controllare il fusibile termico di protezione del sensore della stufa F1.
 - a. Accendere il comando della sauna.
 - ▶ Se a questo punto dovessero essere visualizzati messaggi di errore, passare al punto **“14.1. Messaggi di errore” a pagina 55.**
 - b. Aprire il sensore della stufa e scollegare uno dei due cavi rossi del sensore.
 - ▶ Viene emesso un segnale acustico ricorrente, il display visualizza “Errore *01”.
 - ▶ Il comando spegne la stufa.
 - c. Spegnerne il comando della sauna.
 - d. Ricollegare il cavo rosso del sensore della stufa.
 - e. Scollegare ora uno dei cavi bianchi del sensore della stufa.
 - f. Accendere il comando della sauna.
 - ▶ Viene emesso un segnale acustico ricorrente, il display visualizza “Errore *04F1”.
 - ▶ Il comando spegne la stufa.
 - g. Spegnerne il comando della sauna.
 - h. Ricollegare il cavo bianco del sensore della stufa.
3. Controllare l'interconnessione delle fasi per il funzionamento della sauna L1, L2, L3 su U, V, W nonché la potenza termica massima ammessa di 3,5 kW per ogni fase.
4. Solo in caso di utilizzo di un evaporatore: Controllare l'interconnessione delle fasi L1, L2, L3 su U, V1, W per il funzionamento dell'evaporatore.
5. Controllare l'interconnessione della fasi da L3 a AUX attivando l'apparecchio collegato sull'uscita supplementare.

7. Schema di collegamento

7.1. Schema di collegamento modulo di base per 230 V / 400 V



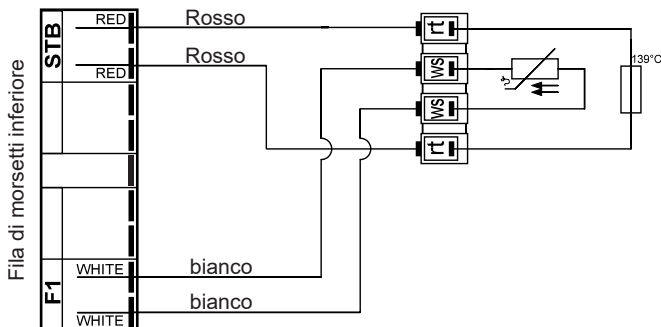
Dispositivi di protezione consigliati linea di alimentazione:

Protezione cavo di alimentazione: 3 x 20 A (CAT III)

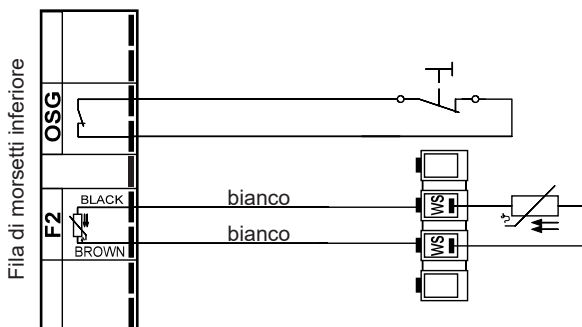
FI (interruttore differenziale): 30 mA

7.2. Schema di collegamento modulo di base tensione inferiore ai 42 V

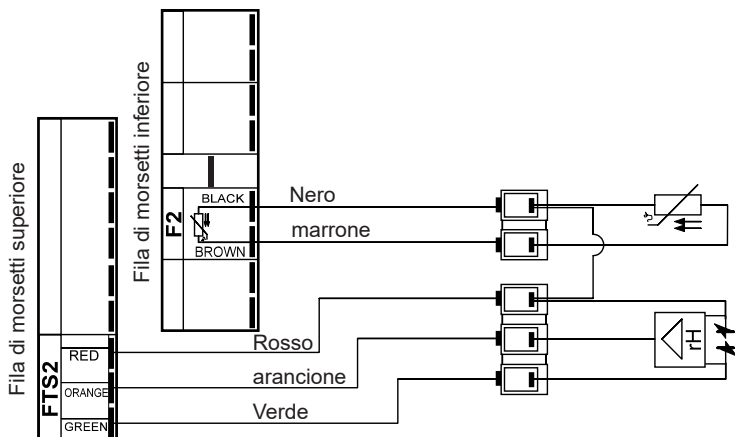
Collegamento sensore stufa F1:



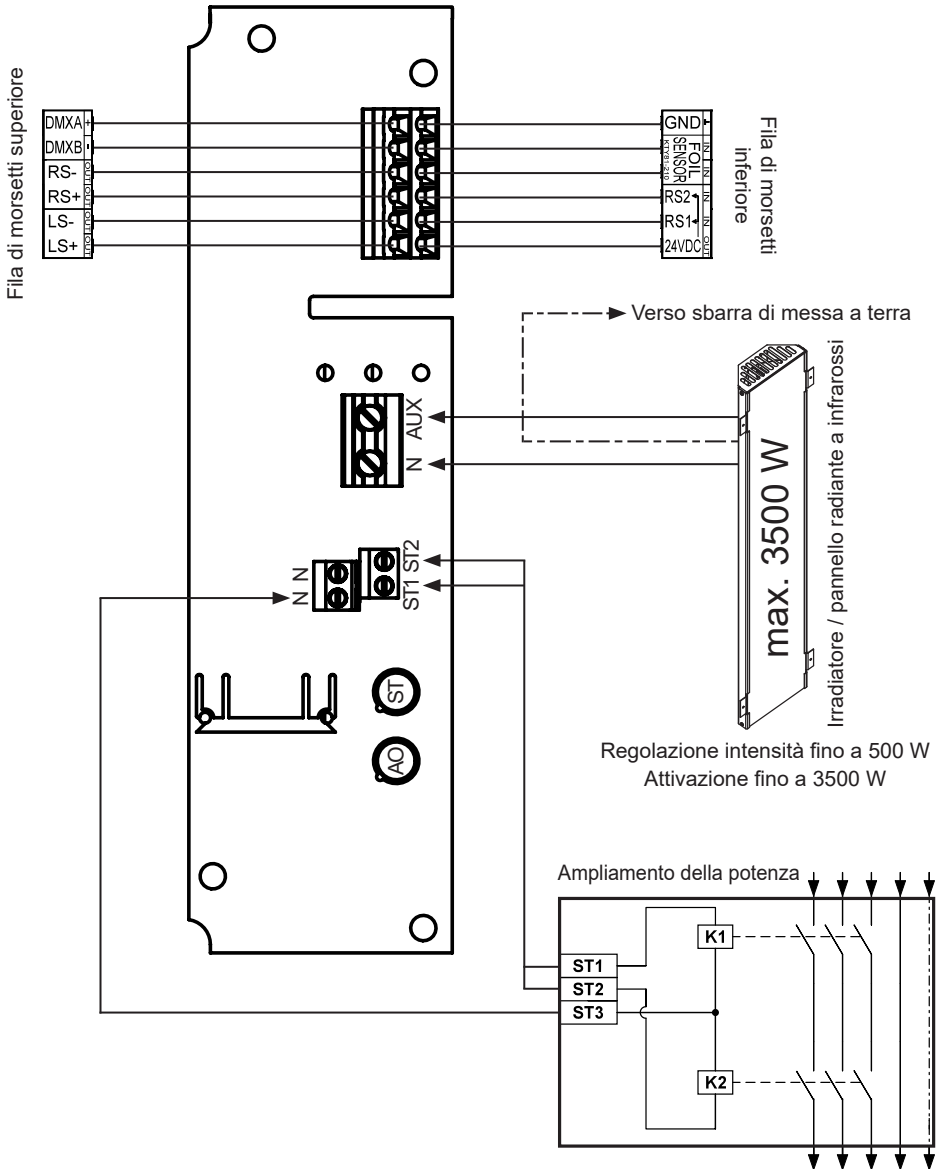
Collegamento sensore panca F2 e disinserimento di sicurezza OSG:



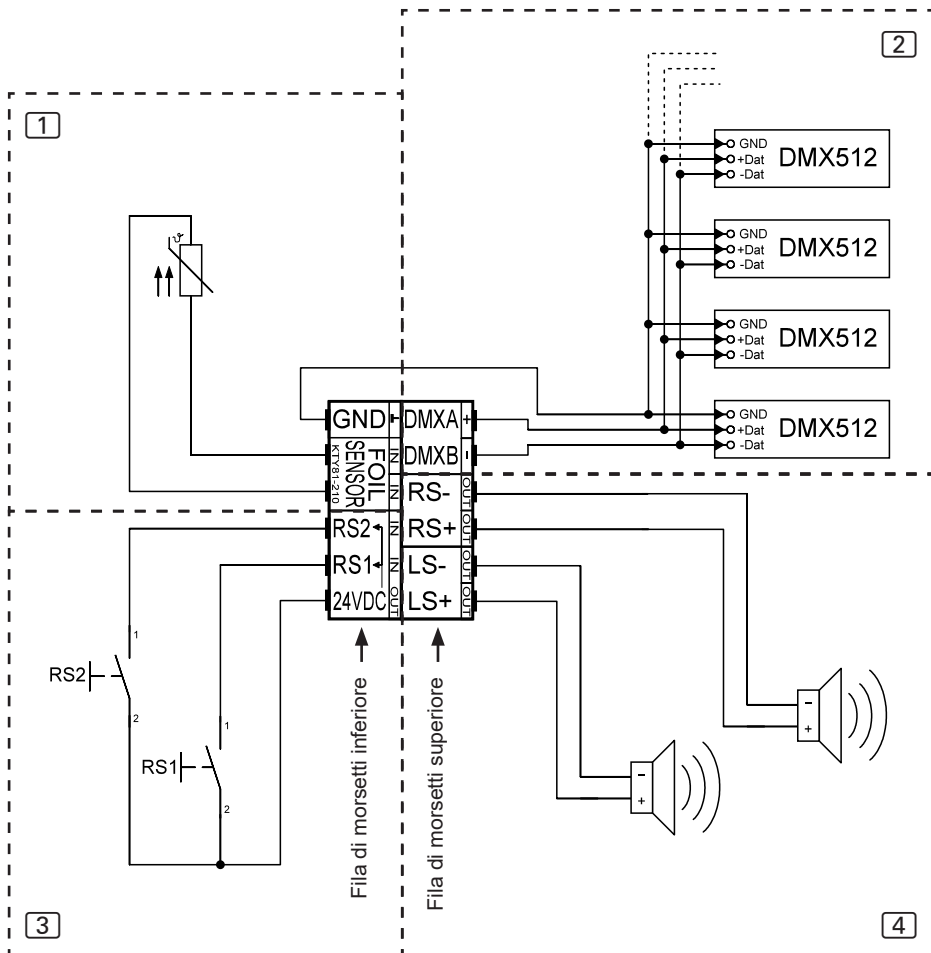
Collegamento sensore di umidità e temperatura FTS2:



7.3. Schema di collegamento modulo di espansione 230 V

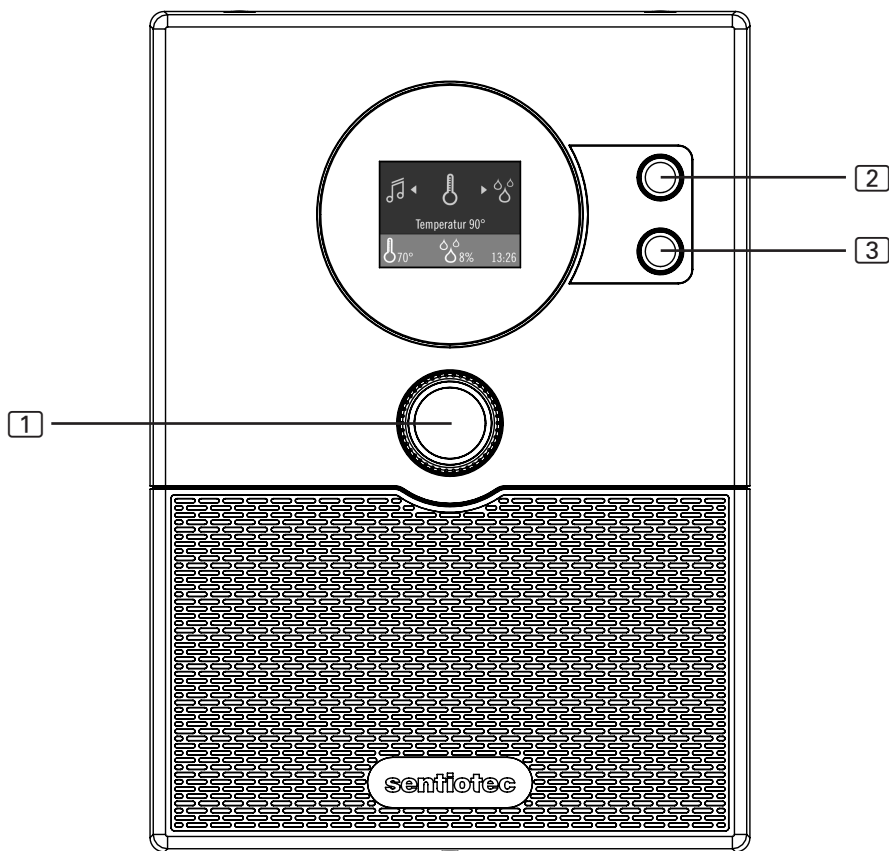


7.4. Schema di collegamento modulo di espansione tensione inferiore ai 42 V



- 1** Collegamento sensore a membrana
- 2** Collegamento DMX
- 3** Collegamento avvio remoto
- 4** Collegamento altoparlanti

8. Elementi di comando



- 1 **Selettore rotativo** (pulsante a pressione e manopola per l'utilizzo del menu)
- 2 **Interruttore principale** (accensione e spegnimento del comando della sauna)
- 3 **Interruttore della luce**(accensione e spegnimento della luce della cabina)

9. Messa in funzione

9.1. Menu per il personale tecnico

Il comando della sauna home.com4 è dotato di un menu personale tecnico separato dal menu principale, in cui è possibile effettuare tutte le principali regolazioni.

Il menu personale tecnico è disponibile solo in lingua inglese.

Per accedere a questo menu seguire i seguenti passaggi:

1. Spegnerne il comando della sauna
2. Tenere premuto il selettore rotativo **1** e accendere il comando della sauna con l'interruttore principale **2**.
 - ▶ Sul display compare il menu personale tecnico con le voci di menu disponibili.

Navigazione nel menu

Per navigare nel menu, utilizzare il selettore rotativo **1**.

- Girare il selettore rotativo verso destra per sfogliare verso il basso nel menu.
- Girare il selettore rotativo verso sinistra per sfogliare verso l'alto nel menu.
- Per selezionare una voce del menu, premere sul selettore rotativo.
 - ▶ La regolazione della rispettiva voce di menu viene evidenziata con sfondo verde e può essere ora modificata.
- Girare verso il basso o l'alto per visualizzare le opzioni di regolazione disponibili.
 - ▶ Per confermare la selezione, premere il selettore rotativo.



La direttiva EN 60335-2-53 stabilisce per le saune per uso privato una limitazione del tempo di riscaldamento massima di 6 h. Per saune in hotel, caseggiati e posti simili, è ammessa una limitazione del tempo di riscaldamento massima di 12 h. L'estensione della limitazione del tempo di riscaldamento a 18 o 24 h è permessa solo in saune pubbliche.

Voce di menu	Descrizione	Opzioni di regolazione
Language	Regolazione della lingua del menu	Tedesco, inglese, svedese, francese, sloveno, spagnolo, estone, finlandese, italiano, olandese, polacco, russo, ceco
Time	Regolazione dell'orario	hh:mm
Year	Regolazione dell'anno	ad es. 2017
Month	Regolazione del mese	ad es. luglio
Day	Regolazione del giorno	ad es. il 17
Weekday	Regolazione del giorno della settimana	ad es. "Monday" (lunedì)
Heating time limit	Limitazione del tempo di riscaldamento massimo	6 / 12 / 18 / 24 h
Offset sensore del riscaldatore	Calibrazione sensore della stufa in °C	da -10 a +10
Offset sensore della panca	Calibrazione sensore della panca in °C	da -10 a +10
Offset umidità	Calibrazione umidità in %	da -10 a +10
Temperatura massima	Definizione del valore nominale per la temperatura massima impostabile	40 - 110 °C
Bench sensor	Attivazione/disattivazione del funzionamento con due sensori	On/Off
Allineamento fase	Attivazione/disattivazione dell'attivazione singola delle fasi	On/Off
Vaporizer	Attivazione/disattivazione o abilitazione del funzionamento singolo dell'evaporatore	Off / Normal / Single
Foil sensor	Attivazione/disattivazione del sensore a membrana	Yes / No
Aux mode	Funzione di regolazione intensità uscita supplementare fino a 500 W Attivazione uscita supplementare fino a 3500 W	dimnable switchable
Mode RS1	Modalità di avvio ingresso avvio remoto RS1 RS = Remote Start (avvio remoto)	Finnish / combi, user programs 1–5
Mode RS2	Modalità di avvio ingresso avvio remoto RS2 RS = Remote Start (avvio remoto)	Finnish / combi, user programs 1–5
Remote enabling	Avvio remoto - abilitazione	Internal/external

Voce di menu	Descrizione	Opzioni di regolazione
Drying time	Durata del programma di asciugatura successiva automatica (80 °C e ventilatore)	0–60 min
Preheat time vaporizer	Tempo prerisc. indipendente dalla regolazione evaporatore (solo senza sensore FTS2)	0–20 min
Colorlight	Regolazioni del colore Gradienti di colore Sincronizzazione trasmissione radio DMX Regolazioni individuali del colore per i colori di base: rosso, giallo, verde, turchese, blu, viola, bianco	<u>Proporzioni dei colori:</u> Rosso: 0 - 100% Verde: 0 - 100% Blu: 0 - 100% Bianco: 0 - 100%
- Gradient	Configurazione individuale gradienti di colore 1 - 4 Attivazione /disattivazione di singoli colori di base nel gradiente di colore La sequenza dei gradienti di colore non è modificabile	Rosso: On/Off Giallo: On/Off Verde: On/Off Turchese: On/Off Blu: On/Off Viola: On/Off Bianco: On/Off
- Duration	Regolazione della durata di singoli colori	[Sec]
- Transition time	Regolazione del periodo transitorio tra i colori	[Sec]
- Synchronize	Sincronizzazione del canale DMX (per ponte radio)	Canale: 0 - 512
SW version	Indicazione versione software	
HW version	Indicazione versione hardware	
Cycles	Indicazione numero di procedure di commutaz. relè	
Buzzer	Attivazione/disattivazione del segnale acustico	On/Off
Button sounds	Attivazione/disattivazione del suono dei tasti	On/Off
Secure Pairing Music	È necessaria la conferma della registrazione	On/Off
Secure Pairing App	È necessaria la conferma della registrazione	On/Off
Bluetooth PIN		
Bluetooth ID		
Delete paired devices	Reset di tutti i dispositivi collegati	Start
Factory reset	Ripristino delle impostazioni di fabbrica	Start
Exit	Tutte le regolazioni vengono memorizzate e si esce dal menu per il personale tecnico	Start

10. Utilizzo

Osservare “8. Elementi di comando” a pagina 32.

10.1. Accensione della luce (illuminazione per le operazioni di pulizia)

È possibile accendere/spegnere la luce nella cabina della sauna sull'unità di comando indipendentemente dall'interruttore On/Off [2].

- Per accendere e spegnere la luce sull'unità di comando, premere l'interruttore della luce [3].

10.2. Accensione dell'unità di comando



AVVERTENZA!

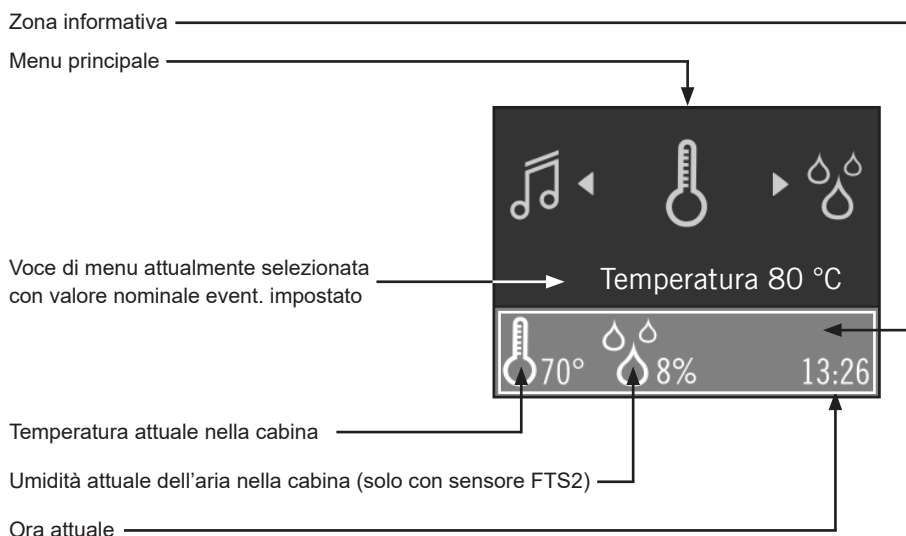
Pericolo di incendio

Gli oggetti infiammabili appoggiati sulla stufa per sauna calda possono infiammarsi e causare incendi.

- Non appoggiare MAI oggetti infiammabili sulla stufa.
- Prima di attivare il comando della sauna, accertarsi che NESSUN oggetto infiammabile si trovi sulla stufa per sauna.

- Per attivare l'unità di comando, premere l'interruttore On/Off [2].
 - ▶ All'accensione sul display compare, come impostazione predefinita, la voce di menu “Programmi utente”.


Elementi visualizzati:





10.3. Funzionamento della sauna

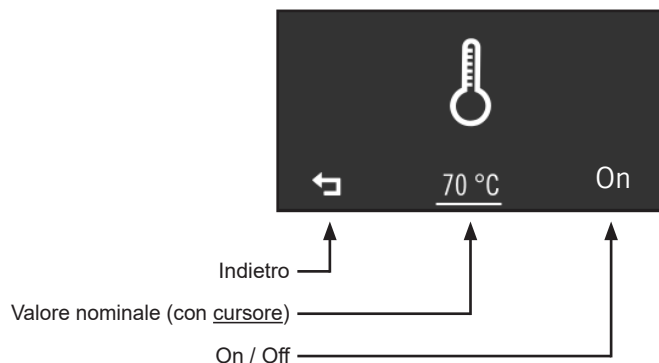
Avvio del funzionamento della sauna

1. Con il selettore rotativo , selezionare il simbolo della temperatura. Premere quindi brevemente per confermare.
 - ▶ Il sottomenu “Temperatura” si apre e sul display compare sottolineato il valore nominale impostato per la temperatura.
2. Per modificare tale valore, premere il selettore rotativo.
 - ▶ Il valore è ora evidenziato da uno sfondo verde e può essere modificato.
 - ▶ Per confermare l'impostazione, premere di nuovo il selettore rotativo.
3. Impostare il cursore (sottolineatura) a destra su “On” e premere brevemente il selettore rotativo.
 - ▶ La stufa viene accesa e inizia a riscaldare.
 - ▶ Il colore del simbolo della temperatura nella zona informativa passa al rosso.
 - ▶ Il sistema esce automaticamente dalla voce di menu “Temperatura”.

Disattivazione del funzionamento sauna

4. Per spegnere la stufa per sauna, ripetere i punti 1 e 3.
 - ▶ Invece di “On” viene visualizzato “Off”.
 - ▶ Per uscire dal sottomenu, posizionare il cursore sul “simbolo per ritorno” e confermare con il selettore rotativo.


Vista sottomenu temperatura





10.4. Funzionamento combinato

Avvio del funzionamento combinato

1. Con il selettore rotativo , selezionare il simbolo della temperatura. Premere quindi brevemente per confermare.
 - ▶ Il sottomenu "Umidità" si apre e sul display compare sottolineato il valore nominale impostato per l'umidità.
2. Per modificare tale valore, premere il selettore rotativo.
 - ▶ Il valore è ora evidenziato da uno sfondo verde e può essere modificato.
 - ▶ Per confermare l'impostazione, premere di nuovo il selettore rotativo.
3. Impostare il cursore (sottolineatura) a destra su "On" e premere brevemente il selettore rotativo.
 - ▶ L'evaporatore viene acceso e inizia a riscaldare.
 - ▶ Il colore del simbolo dell'umidità nella zona informativa passa al blu.
 - ▶ Il sistema esce automaticamente dalla voce di menu "Umidità".

Disattivazione del funzionamento combinato

4. Per spegnere l'evaporatore, ripetere i punti 1 e 3.
 - ▶ Invece di "On" viene visualizzato "Off".
 - ▶ Per uscire dal sottomenu, posizionare il cursore sul "simbolo per ritorno" e confermare con il selettore rotativo.
 - ▶ L'evaporatore viene disattivato.



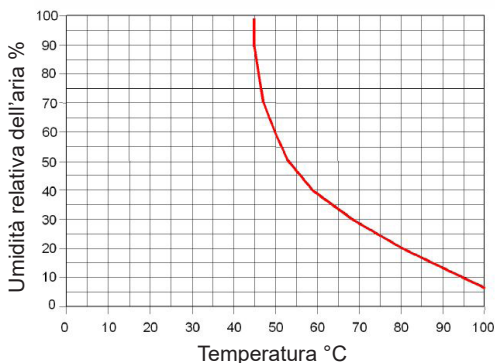
L'evaporatore può essere avviato soltanto quando è accesa la stufa per sauna. Il valore nominale massimo impostabile per l'umidità dipende comunque dalla temperatura presente nella sauna. Maggiore è la temperatura della sauna, minore sarà il valore massimo impostabile per l'umidità (vedi curva caratteristica).

Eccezione: Il funzionamento singolo evaporatore è attivato (vedi "**9.1. Menu per il personale tecnico**" a pagina 33).

Ora è possibile mettere in funzione l'evaporatore anche senza la stufa, tuttavia l'umidità massima dipende dalla temperatura attuale della cabina.



Se il comando della sauna viene utilizzato senza sensore di temperatura e di umidità (FTS2), si attiva il funzionamento a ciclo. Se la temperatura della cabina scende sotto i 30 °C, l'evaporatore viene attivato per un tempo predefinito (di norma 10 minuti) senza alcuna interruzione, dopodiché inizia il funzionamento a ciclo.



EN 60335-2-53:2011; curva caratteristica temperatura / umidità relativa dell'aria per l'uso previsto.



10.5. Programma asciugatura successiva

Dopo il funzionamento combinato viene avviato automaticamente il programma di asciugatura successiva per impedire la formazione di muffe nella cabina della sauna. In questo modo la cabina della sauna viene riscaldata per 30 minuti a 80 °C a ventilatore attivato.

- ▶ Per interrompere il programma di asciugatura successiva, premere il selettore rotativo **1** e girarlo contemporaneamente a destra.



Per impedire la formazione di muffe, si consiglia di **NON** interrompere il programma di asciugatura successiva.

IT



10.6. Luce della cabina

Accensione della luce della cabina

1. Con il selettore rotativo **1**, selezionare il simbolo della luce. Premere quindi brevemente per accendere la luce della cabina.
 - ▶ La luce della cabina viene accesa.
 - ▶ Sul display compare “Luce On”

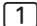
Spegnimento della luce della cabina

2. Per spegnere la luce della cabina, premere di nuovo il selettore rotativo **1**.
 - ▶ La luce della cabina viene spenta.
 - ▶ Sul display compare “Luce Off”

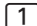


10.7. Ventilatore

Attivazione del ventilatore

3. Con il selettore rotativo , selezionare il simbolo del ventilatore. Premere quindi brevemente per attivare il ventilatore.
 - ▶ Il ventilatore viene attivato.
 - ▶ Sul display compare “Ventilatore On”

Disattivazione del ventilatore

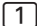
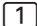
4. Per disattivare il ventilatore, premere di nuovo il selettore rotativo .
 - ▶ Il ventilatore viene disattivato.
 - ▶ Sul display compare “Ventilatore Off”



10.8. Preselezione oraria

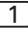
Impostazione della preselezione oraria

È possibile impostare la preselezione oraria con una precisione corrispondente al minuto. Il tempo massimo della preselezione oraria è 6 ore.

1. Avviare le funzioni che devono essere avviate una volta superato il tempo di preselezione.
2. Con il selettore rotativo , selezionare il simbolo della preselezione oraria. Premerlo quindi brevemente per aprire il sottomenu.
 - ▶ Si apre il sottomenu “Preselezione oraria” e sul display compare sottolineato l'ultimo orario di preselezione.
3. Per modificare tale valore, premere il selettore rotativo.
 - ▶ Il valore è ora evidenziato da uno sfondo verde e può essere modificato.
 - ▶ L'indicazione è visualizzata secondo lo schema hh:mm.
 - ▶ Per confermare l'impostazione, premere di nuovo il selettore rotativo.
4. Impostare il cursore (sottolineatura) a destra su “Start” (avvio) e premere brevemente il selettore rotativo.
 - ▶ Tutte le funzioni attivate in precedenza vengono disattivate.
 - ▶ Sul display compare il tempo restante della preselezione oraria.
 - ▶ Il selettore rotativo  inizia a lampeggiare lentamente.
 - ▶ Una volta raggiunto il tempo della preselezione oraria, le funzioni selezionate vengono avviate.



Annullamento della funzione di preselezione oraria

Per interrompere la preselezione oraria, premere il selettore rotativo  e girarlo contemporaneamente a destra.

- ▶ La funzione di preselezione oraria viene interrotta.

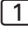


Per motivi di sicurezza, durante il periodo in cui è attiva la preselezione oraria, l'utilizzo è bloccato. Per effettuare modifiche sulle impostazioni, interrompere la funzione di preselezione oraria e avviarla quindi nuovamente.



10.9. Tempo di funzionamento

La prima possibilità per stabilire il tempo di funzionamento massimo senza interruzioni della sauna (ad es. 6 h per saune private), è offerta dal menu per il personale tecnico del comando della sauna.

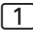

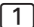
1. Per affinare questa regolazione, selezionare con il selettore rotativo  il simbolo della durata di funzionamento. Premerlo quindi brevemente per aprire il sottomenu.
 - ▶ Si apre il sottomenu “Durata di funzionamento” e sul display compare sottolineato l'ultima durata di funzionamento impostata.
2. Per modificare tale valore, premere il selettore rotativo.
 - ▶ Il valore è ora evidenziato da uno sfondo verde e può essere modificato.
 - ▶ L'indicazione è visualizzata secondo lo schema hh:mm.
 - ▶ Per confermare l'impostazione, premere di nuovo il selettore rotativo.
 - ▶ Il valore impostato viene memorizzato in modo permanente.
3. Per uscire dal sottomenu, posizionare il cursore sul “simbolo per ritorno” e confermare con il selettore rotativo.

10.10. Modalità ECO

La funzione Eco consente di risparmiare energia durante le pause fra una sauna e l'altra. Se la funzione Eco è attivata, gli apparecchi collegati funzionano a potenza ridotta. È possibile scegliere fra pause di 20, 40 o 60 minuti.

Al termine della pausa, la stufa o l'evaporatore vengono di nuovo riaccesi. In questo modo al termine della pausa i valori di temperatura e umidità sono di nuovo tornati sul livello nominale.

Per attivare la funzione Eco, eseguire i seguenti passaggi:


1. Con il selettore rotativo , selezionare il simbolo ECO. Premerlo quindi brevemente per aprire il sottomenu.
 - ▶ Si apre il sottomenu "Modalità ECO" e sul display compare sottolineata l'ultima durata della pausa impostata.
2. Per modificare la durata della pausa, premere il selettore rotativo.
 - ▶ Il valore è ora evidenziato da uno sfondo verde e può essere modificato.
 - ▶ L'indicazione è visualizzata in minuti.
3. Sono disponibili 3 diverse durate della pausa:
 - Pausa della sauna di 20 minuti.
 - Pausa della sauna di 40 minuti.
 - Pausa della sauna di 60 minuti.
 - ▶ Per confermare l'impostazione, premere di nuovo il selettore rotativo.
4. Impostare il cursore (sottolineatura) a destra su "Start" (avvio) e premere brevemente il selettore rotativo.
 - ▶ Viene avviata la pausa della sauna.
 - ▶ Sul display compare la durata restante della pausa.
 - ▶ Il selettore rotativo  inizia a lampeggiare lentamente.
5. Per interrompere la pausa della sauna, premere il selettore rotativo  e girarlo contemporaneamente a destra.



10.11. Timer settimanale

Il timer settimanale consente di far attivare e disattivare in modo automatico il comando della sauna in determinati periodi, in determinati giorni della settimana e con modalità di funzionamento personalizzate. È possibile programmare un massimo di 14 cicli di accensione/spengimento indipendenti fra loro. L'utilizzo manuale del comando della sauna non è soggetto a restrizioni durante i periodi impostati.

Seguire i seguenti passi per creare un programma con timer settimanale:

1. Con il selettore rotativo , selezionare il simbolo del timer settimanale. Premerlo quindi brevemente per aprire il sottomenu.
 - ▶ Si apre il sottomenu "Timer settimanale" e sul display compaiono le seguenti voci di menu:
 - Timer n. [1 - 14]
 - ▶ A ogni ciclo di accensione/spengimento è possibile associare un numero di timer qualsiasi da 1 a 14.
 - Giorni della settimana [lun - dom]
 - ▶ Qui si impostano i giorni della settimana in cui deve essere eseguito il programma attuale. Sono disponibili singolarmente tutti i giorni da lunedì a domenica oppure gruppi di giorni da lunedì a domenica, da lunedì a venerdì e da sabato a domenica.
 - Orario di avvio [00:00 - 23:59]
 - ▶ Impostare qui l'orario in cui il programma deve essere avviato.
 - Orario di fine [00:00 - 23:59]
 - ▶ Impostare qui l'orario in cui il programma deve disattivarsi.



La durata di funzionamento massima impostata nel menu per il personale tecnico limita in questo caso il tempo impostabile tra orario di attivazione e di disattivazione. All'occorrenza, correggere l'impostazione per la durata di funzionamento massima nel menu personale tecnico.



- Programmi utente [Finnisch, Kombi, 1 -5]
 - ▶ Selezionare qui la modalità di funzionamento da avviare. È possibile selezionare la sauna finlandese (solo riscaldamento), la sauna combinata (riscaldamento + evaporatore) o uno dei 5 programmi utente programmabili.
 - Attivato [On / Off]
 - ▶ Attivare o disattivare qui singoli cicli di accensione/spegnimento.
2. Uscire dal menu del timer settimanale per attivare i programmi:
- ▶ Nella zona informativa del display compare il simbolo del timer settimanale.
 - ▶ Il selettore rotativo 1 inizia a lampeggiare lentamente.



Se viene avviata la modalità di funzionamento di stand-by per telecontrollo, vengono disattivati tutti i programmi del timer settimanale per tale durata. Se si esce di nuovo dalla modalità di funzionamento per telecontrollo, tutti i programmi attivati in precedenza diventano di nuovo attivi.



L'interruttore principale 2 deve restare attivato per mantenere funzionante il timer settimanale.



10.12. Blocco sicurezza bambini

Il comando della sauna è dotato di un blocco di sicurezza per bambini che impedisce che bambini possano attivare la stufa per sauna in modo accidentale e incustodito.

- Per attivare questo blocco di sicurezza, selezionare con il selettore rotativo 1 il simbolo del blocco di sicurezza per bambini. Premerlo quindi brevemente per attivare il blocco di sicurezza.
 - ▶ Sul display compare il simbolo per il blocco di sicurezza per bambini e l'utilizzo del comando della sauna è bloccato.
- Per disattivare il blocco di sicurezza per bambini, premere il selettore rotativo 1 e girarlo contemporaneamente a destra.



10.13. Tutto Off

Per disattivare insieme tutte le funzioni e utenze attivate (compresa la luce colorata DMX) selezionare con il selettore rotativo **1** il simbolo Tutto Off. Premerlo quindi brevemente per disattivare tutte le funzioni. Le impostazioni relative al timer settimanale restano attive.



Se si utilizza un apparecchio policromatico DMX, si consiglia di utilizzare la funzione Tutto Off dopo ogni visita della sauna, poiché anche dopo la disattivazione tramite l'interruttore principale **2** alcuni apparecchi policromatici DMX possono continuare a funzionare.



10.14. Programmi utente

Utilizzando i programmi utente è possibile memorizzare e richiamare nuovamente le impostazioni della sauna preferite. Sono disponibili 5 programmi utente preimpostati che l'utente può modificare a suo piacimento.

Le impostazioni delle seguenti funzioni vengono memorizzate nei programmi utente:

- Temperatura
- Umidità
- Uscita supplementare
- Luce
- Ventilatore
- Luce colorata

Programmi utente preimpostati:

I seguenti programmi utente sono già predefiniti:

Programma utente	Temperatura °C	Umidità* %	Luce	AUX
1	90	0	On	Off
2	70	0	On	Off
3	50	60	On	Off
4	60	35	On	Off
5	0	0	On	7

*solo con evaporatore attivato



Richiamo di un programma utente:

3. Con il selettore rotativo **[1]**, selezionare il simbolo dei programmi utente. Premerlo quindi brevemente per aprire il sottomenu.
 - ▶ Si apre il sottomenu “Programmi utente” e sul display compare sottolineato l'ultimo programma utente utilizzato.
4. Premere di nuovo il selettore rotativo per utilizzare un altro programma utente.
 - ▶ Il valore è ora evidenziato da uno sfondo verde e può essere modificato.
 - ▶ Sono disponibili 5 programmi utente [1-5]
 - ▶ Per confermare l'impostazione, premere di nuovo il selettore rotativo.
5. Impostare il cursore (sottolineatura) a destra su “Start” (avvio) e premere brevemente il selettore rotativo.
 - ▶ Viene avviato il programma utente.



Creazione di programmi utente individuali:

È possibile creare programmi utente a proprio piacimento. A tal fine viene sovrascritto un programma utente preimpostato. Procedere nel seguente modo:


1. Avviare tutte le funzioni che si desidera siano attivate con il programma utente.
2. Con il selettore rotativo **[1]**, selezionare il simbolo dei programmi utente. Premerlo quindi brevemente per aprire il sottomenu.
3. Impostare il cursore (sottolineatura) a destra su “Memorizza” e premere brevemente il selettore rotativo.
 - ▶ Le impostazioni sono state memorizzate nel programma utente selezionato.
 - ▶ Per spegnere programmi utente, utilizzare la funzione Tutto Off.

10.15. Uscita supplementare

Sull'uscita supplementare del comando della sauna è possibile ad es. collegare un irradiatore a infrarossi o dei pannelli radianti a infrarossi.

Regolazione dell'intensità con la corrispondente funzione attivata

Quando la funzione di regolazione d'intensità dell'uscita supplementare è attivata, è possibile regolare la potenza dell'apparecchio supplementare su una scala da 1 a 7. Il valore 7 corrisponde alla potenza completa.

1. Con il selettore rotativo , selezionare il simbolo dell'uscita supplementare. Premere quindi brevemente per confermare.
 - ▶ Il sottomenu "Uscita supplementare" si apre e sul display compare sottolineato il valore impostato dell'intensità per l'uscita supplementare.
2. Per modificare tale valore, premere il selettore rotativo.
 - ▶ Il valore è ora evidenziato da uno sfondo verde e può essere modificato.
 - ▶ Per confermare l'impostazione, premere di nuovo il selettore rotativo.
3. Impostare il cursore (sottolineatura) a destra su "On" e premere brevemente il selettore rotativo.
 - ▶ L'uscita supplementare viene attivata.
 - ▶ Nella zona informativa del display compare il simbolo dell'uscita supplementare.




Disattivazione dell'uscita supplementare

4. Per spegnere l'uscita supplementare, ripetere i punti 1 e 3.
 - ▶ Invece di "On" viene visualizzato "Off".
 - ▶ Per uscire dal sottomenu, posizionare il cursore sul "simbolo per ritorno" e confermare con il selettore rotativo.

**Regolazione dell'intensità con la corrispondente funzione disattivata**


Quando la funzione di regolazione dell'apparecchio supplementare è disattivata, è possibile esclusivamente accendere/spengere l'apparecchio supplementare. L'apparecchio funziona sempre con la potenza massima.

- Con il selettore rotativo , selezionare il simbolo dell'uscita supplementare. Premerlo quindi brevemente per attivare o disattivare l'uscita supplementare.
 - ▶ Nella zona informativa del display compare il simbolo dell'uscita supplementare.

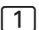
**10.16. Attivazione stand-by per telecontrollo**

Secondo la norma EN 60335-2-53, i comandi della sauna con funzione di avvio remoto devono essere impostati manualmente sulla modalità di funzionamento "Stand-by per telecontrollo". Questa attivazione deve essere fatta dopo ogni operazione di avvio remoto e arresto remoto.

Avvio stand-by per telecontrollo:

- Con il selettore rotativo , selezionare il simbolo dell'avvio remoto. Premerlo quindi brevemente per avviare la modalità di funzionamento "Stand-by per telecontrollo".
 - ▶ Il comando della sauna disattiva tutte le funzioni attivate in precedenza e sul display compare il simbolo dell'avvio remoto.
 - ▶ Il comando della sauna è ora pronto per essere avviato e arrestato tramite un segnale remoto. L'utilizzo manuale del comando della sauna non è possibile durante tale periodo.
 - ▶ Una volta avvenuto l'avvio o l'arresto remoto, si spegne il simbolo di avvio remoto e deve essere effettuata nuovamente l'attivazione della modalità di funzionamento.

Interruzione dello stand-by per telecontrollo:

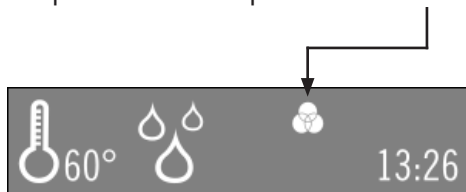
- Per disattivare lo stand-by per telecontrollo, premere il selettore rotativo  e girarlo contemporaneamente a destra.



10.17. Luce colorata

Avvio della luce colorata:

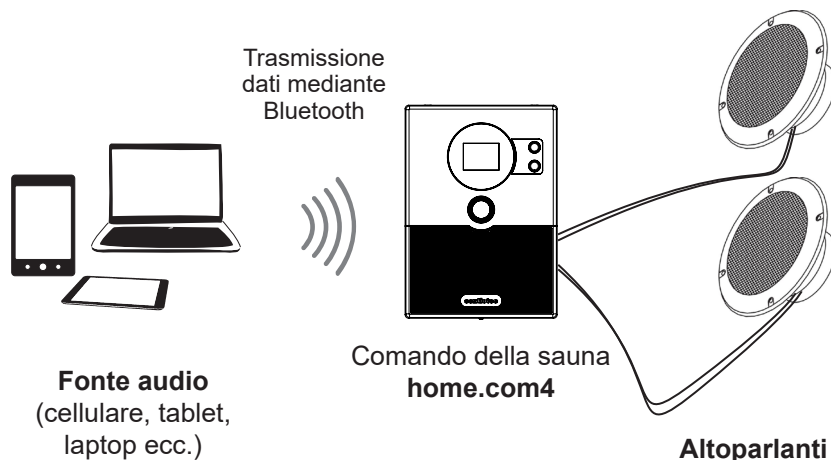
- Con il selettore rotativo , selezionare il simbolo della luce colorata. Premerlo quindi brevemente per aprire il sottomenu.
 - ▶ Si apre il sottomenu “Luce colorata” e sul display compaiono le seguenti voci di menu:
- Gruppo luce [1 - 4]
 - ▶ È possibile configurare e far funzionare 4 gruppi luce con impostazioni differenti. A titolo di esempio, sul gruppo luce 1 funziona l'illuminazione della panca posteriore, sul gruppo luce 2 la luce colorata del soffitto, ecc.
- Modalità luce
 - ▶ Selezionare qui il colore o il gradiente di colore del gruppo luce selezionato.
- Intensità [0 - 100%]
 - ▶ Selezionare qui l'intensità del gruppo luce selezionato.
- Stato [On / Off]
 - ▶ Attivare o disattivare qui il gruppo luce selezionato.
 - ▶ Se è stato selezionato un gruppo luce, nella zona informativa del display compare un simbolo per la luce colorata.



Per disattivare tutti i gruppi luce, l'opzione migliore è utilizzare la funzione Tutto Off.

10.18. Musica

Il riproduttore di musica del comando della sauna consente di riprodurre musica nella sauna. La musica viene trasmessa al comando della sauna mediante un collegamento Bluetooth di un apparecchio con funzione Bluetooth (= fonte audio). Come fonte radio è possibile utilizzare qualsiasi apparecchio Bluetooth, come la maggior parte dei cellulari, tablet, notebook, ecc. L'amplificatore è integrato nel comando della sauna.



Primo collegamento (pairing)

1. Accendere la fonte audio (cellulare, tablet, ecc.).
2. Accendere il comando della sauna.
3. Attivare la funzione Bluetooth della fonte audio.
 - ▶ La maggior parte degli apparecchi cerca automaticamente altri apparecchi Bluetooth nelle vicinanze e li visualizza.
 - ▶ Il comando della sauna viene visualizzato sulla fonte audio con la dicitura "home.com4 XXXX".
 - ▶ XXXX è un codice identificativo indipendente dal comando della sauna (ad es. F39D)
 - ▶ Se il sistema richiede l'inserimento di una password, utilizzare "0000".



Se la fonte audio non cerca automaticamente apparecchi Bluetooth nelle vicinanze, avviare la ricerca manualmente, ad es. selezionando la funzione chiamata “Cerca apparecchi” o simili.

4. Selezionare “home.com4” dalla lista dei dispositivi visualizzata dalla fonte audio.
 - ▶ Viene stabilito il primo collegamento Bluetooth tra la fonte audio e il comando della sauna (= pairing).
 - ▶ Il wave.com4 sound è collegato e pronto all'uso quando nella zona informativa del display compare il simbolo di Bluetooth.



5. Riprodurre la musica con il lettore audio della fonte audio.
 - ▶ La musica viene emessa attraverso gli altoparlanti collegati al comando della sauna.



Telefonare durante la riproduzione musicale

Se si seleziona un numero di telefono o se si riceve una chiamata, la riproduzione musicale si interrompe automaticamente e riprende una volta conclusa la telefonata.

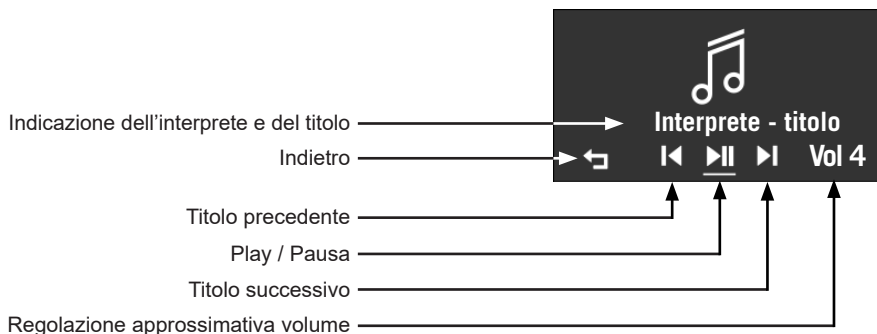
Dal momento che il comando della sauna non dispone di un microfono, è necessario commutare l'uscita audio sul proprio cellulare.

Osservare le istruzioni per l'uso dell'apparecchio.



Controllo della musica tramite il comando della sauna

- Con il selettore rotativo **1**, selezionare il simbolo della musica. Premerlo quindi brevemente per aprire il sottomenu.
 - ▶ Si apre il menu “Musica” e in basso sul display compaiono i comandi mostrati in basso:
 - L'**indicazione dell'interprete e del titolo** mostra informazioni sul brano musicale attualmente riprodotto. Se non è collegata una fonte audio mediante Bluetooth, il display visualizza qui “non collegato”.
 - Selezionare **Indietro** per uscire dal menu Musica. Se correntemente viene riprodotto un brano, la riproduzione dello stesso prosegue in background.
 - Selezionare **Titolo precedente** per tornare indietro di un brano nella playlist.
 - Premere **Play / Pausa** per avviare la riproduzione musicale o interromperla.
 - Selezionare **Titolo successivo** per passare al brano seguente nella playlist.
 - La **regolazione approssimativa del volume** in 4 livelli può essere effettuata sul comando della sauna. La regolazione di precisione avviene alla fonte audio.



10.19. Collegamento BUS (interfaccia RS485)

- In caso di collegamento all'app MySentio, utilizzare gli elementi di comando dell'app.
- In caso di collegamento al sistema bus domestico, utilizzare i comandi riportati nella documentazione dell'interfaccia RS485.

11. App Bluetooth

Tutte le funzioni principali del comando della sauna "home.com4" possono essere utilizzate e controllate tramite app Bluetooth.

A tale scopo, scaricare la app "home.com4" dall'App Store. La app è disponibile gratuitamente sia per iOS che per Android.

A seconda del dispositivo, la portata raggiunge i 30 m in campo aperto. L'utilizzo della app e lo streaming della musica possono avvenire sullo stesso dispositivo.

Per collegarsi con il comando di home.com4, attivare Bluetooth sul proprio dispositivo e avviare la app "home.com4".

Il sistema effettua in automatico la ricerca di dispositivi "home.com4".



Icona home.com4



Apple / iOS



Android



AVVERTENZA!

Pericolo di incendio

Utilizzare la app solo se la stufa per sauna si trova nel proprio campo visivo e ci si può accertare che **NON** vi siano oggetti infiammabili sulla stufa per sauna!

IT

11.1. Secure Pairing Bluetooth

Per impedire un accesso non autorizzato tramite Bluetooth, le funzioni possono essere attivate separatamente nel menu "Personale tecnico" (pagina 35).

Se la funzione "Secure Pairing App" e/o "Secure Pairing Music" è attivata, la prima volta che si stabilisce un collegamento è necessario un riconoscimento (premendo il regolatore rotativo) sul comando. La richiesta appare sul display di comando. Se il collegamento è stato confermato, il collegamento viene stabilito e l'identificazione dell'apparecchio viene memorizzata in modo permanente nel comando. Con questo apparecchio non è quindi necessario un nuovo riconoscimento.

Se necessario, tutti i collegamenti/dispositivi memorizzati possono essere rimossi nel menu Personale tecnico alla voce "Delete Paired Devices".

12. Pulizia e manutenzione

12.1. Pulizia

ATTENZIONE!

Danni all'apparecchio

Il comando della sauna è protetto dagli spruzzi d'acqua, tuttavia il contatto diretto con l'acqua può danneggiare l'apparecchio.

- NON immergere MAI l'apparecchio in acqua.
- NON versare MAI acqua sull'apparecchio.
- NON pulire MAI l'apparecchio con un panno troppo inumidito.

1. Immergere un panno per la pulizia in una soluzione di acqua tiepida saponata.
2. Strizzare bene il panno.
3. Pulire l'alloggiamento del comando della sauna con cautela.

12.2. Manutenzione

Il comando della sauna è esente da manutenzione.

13. Smaltimento



- Smaltire i materiali dell'imballaggio conformemente alle normative sullo smaltimento vigenti.
- I vecchi dispositivi contengono materiali riciclabili ma anche sostanze dannose. Non gettare mai un dispositivo usato insieme ai rifiuti non riciclabili, bensì smaltirlo in conformità alle norme vigenti a livello locale.

14. Risoluzione dei problemi



14.1. Messaggi di errore

Il comando della sauna è equipaggiato con un software di diagnosi che controlla gli stati del sistema durante l'accensione e il funzionamento. Non appena il software di diagnosi rileva un guasto, il comando della sauna spegne la stufa.

Gli errori vengono visualizzati in forma di numero di errore sul display. In aggiunta il sistema emette un segnale acustico ricorrente.

Disattivare il comando della sauna con l'interruttore On/Off [2] ed eliminare l'errore prima di riattivare il comando della sauna.

La tabella riportata sulle seguenti pagine descrive gli errori possibili e le rispettive cause. In caso di necessità, comunicare il codice di errore all'Assistenza Clienti.

Se si verificano più errori contemporaneamente, i numeri di errore sono separati da un *.

14.2. Indicazione di mancanza d'acqua



Il comando della sauna, nella modalità di funzionamento combinato, dispone di uno spegnimento automatico in caso di mancanza d'acqua, a condizione che la stufa combinata supporti questa funzione.

Se il serbatoio dell'acqua dell'evaporatore è vuoto, viene emesso un segnale acustico ricorrente, mentre sul display viene visualizzato il simbolo di umidità e il testo "**Ricaricare acqua**". Contemporaneamente l'evaporatore si spegne.

- Riempire con acqua il serbatoio dell'acqua dell'evaporatore.
 - ▶ Dopo breve tempo l'avviso si spegne e l'evaporatore ricomincia a scaldare.



Tra il caricamento dell'evaporatore e lo spegnimento dell'avviso possono trascorrere alcuni secondi, poiché il rilevamento avviene attraverso interruttori termici nell'evaporatore.

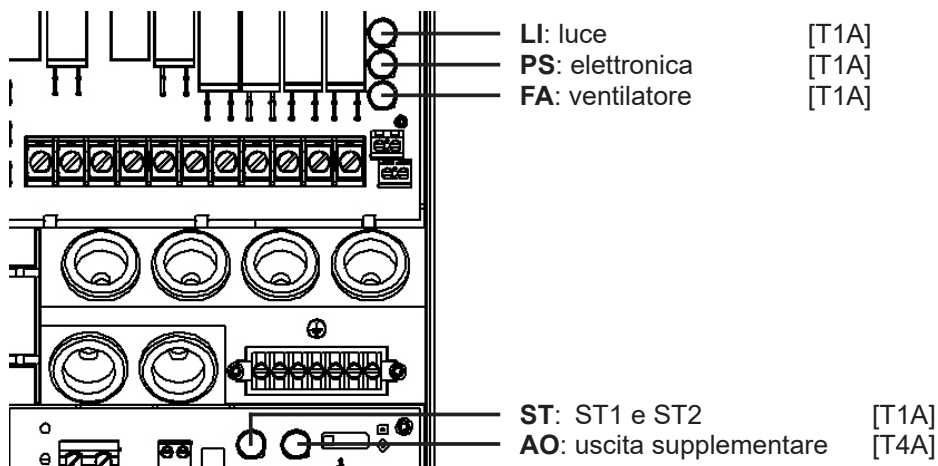
Errore	Descrizione	Causa / rimedio
*01	Disinserimento di sicurezza	Un oggetto è appoggiato sulla stufa per sauna. Rimuovere l'oggetto prima di mettere nuovamente in funzione la stufa. Se non è montato il dispositivo di disinserimento di sicurezza, osservare "5.7. Dispositivo di disinserimento di sicurezza" a pagina 23.
*02	Fusibile termico di protezione	Sopra la stufa è stata superata la temperatura massima di 139 °C. Controllare il fusibile termico di protezione (STB).
*04F1	Errore sensore stufa	Sensore della stufa guasto, contatto difettoso o cortocircuito. Controllare il sensore della stufa (F1).
*05	Errore sensore a membrana	Sensore a membrana guasto, contatto difettoso o cortocircuito. Controllare il sensore a membrana (FF).
*06F2	Errore sensore panca	Sensore della panca guasto, contatto difettoso o cortocircuito. Controllare il sensore della panca (F2).
*07	Errore sensore di umidità	Sensore di umidità guasto, contatto difettoso o cortocircuito. Controllare il sensore dell'umidità (F2S2).
*08	Sovratemperatura sensore a membrana	La temperatura della membrana massima di 100 °C è stata superata. Disattivare l'uscita supplementare.

Altri errori	Causa / rimedio
Nessuna funzione	Controllare la linea di alimentazione L1 e il fusibile PS .
Non viene raggiunta la temperatura nominale	<ul style="list-style-type: none"> ● Sensore della panca non attivato nel menu per il personale tecnico (se disponibile) ● Potenza della stufa troppo bassa / volume della cabina eccessivo ● Controllare aria di mandata e di scarico ● Controllare potenza assorbita da U, V e W.
Luce colorata continua a funzionare a comando disattivato	Utilizzare la funzione "Tutto Off" per spegnere la luce colorata.
Intensità uscita supplementare non regolabile	Attivare funzione di regolazione intensità nel menu Personale tecnico (dimmiabile)
Modalità di funzionamento si disattiva senza motivo apparente	Controllare l'impostazione della durata di funzionamento
Avvio remoto non reagisce	<ul style="list-style-type: none"> ● Il comando deve trovarsi in modalità "Stand-by per telecontrollo" (vedi "10.16. Attivazione stand-by per telecontrollo" a pagina 48) ● Controllare cablaggio di RS1 e RS2.
Orario parte sempre da 00:00	Batteria scarica (vedi "Batteria" a pagina 58)

14.3. Fusibili

Nella zona di collegamento del comando della sauna, si trovano i fusibili per luce, il ventilatore, l'ampliamento della potenza, l'uscita supplementare e l'elettronica.

Si tratta di microfusibili ritardati che possono essere ordinati con il numero articolo PRO-FUSE. Per sostituire il fusibile, estrarre verticalmente l'insero e inserire il nuovo fusibile.



14.4. Batteria

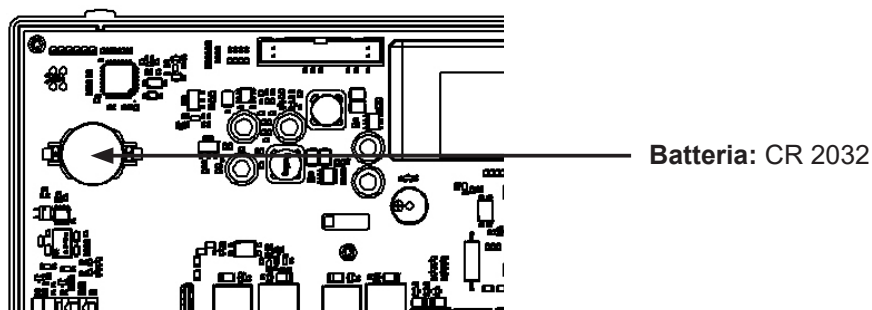
Per evitare che in caso di interruzione dell'alimentazione elettrica, l'ora e la data non vadano perse, nel modulo di base è presente una batteria che all'occorrenza va sostituita se l'orologio non dovesse più funzionare in modo corretto.



AVVERTENZA!

Scosse elettriche

Prima di aprire il coperchio dell'alloggiamento, scollegare dalla rete tutti i poli del comando della sauna e proteggere quest'ultima da reinserzioni.



15. Specifiche tecniche

Condizioni ambientali

Temperatura di stoccaggio:	da -25 °C a +70 °C
Temperatura ambiente:	da -10 °C a +40 °C
Umidità dell'aria:	max 95%

Comando della sauna

Dimensioni (L x H x P):	210 x 294 x 53
Tensione di commutazione / trifase 3N:	400 V AC
Frequenza:	50 Hz
Potenza assorbita in stand-by:	8 W
Potere di rottura / riscaldatore:	3 x 3,5 kW
Corrente di commutazione per fase / riscaldatore:	16 A
Potere di rottura / evaporatore:	3,5 kW
Corrente di commutazione / evaporatore:	16 A
Potenza di rottura / uscita supplementare (con intensità regolabile)*	500 W
Potenza di rottura / uscita supplementare (attivabile)*	3,5 W
Corrente di commutazione / uscita supplementare*:	16 A
Tensione nominale:	230 V
Tipo di protezione (protezione antispruzzo):	IPX4
Allacciamento alla rete di alimentazione come collegamento fisso (allacciamento fisso)	

Luce

Potere di rottura:	100 W
Fusibile:	1 A T

Ventilatore

Potere di rottura:	100 W
Fusibile:	1 A T

Intervalli di regolazione

Temperatura:	da 30 °C a 110 °C
Umidità:	da 0% a 100%

In questo caso il valore massimo impostabile per l'umidità dipende dalla temperatura presente nella sauna. Maggiore è la temperatura, minore sarà il valore massimo impostabile per l'umidità.

Sicurezza termica

Sensore della stufa con fusibile termico di protezione (temperatura di spegnimento 139 °C)

Possibilità di impostare il limite del tempo di riscaldamento automatico (6 h, 12 h, 18 h, 24 h)*

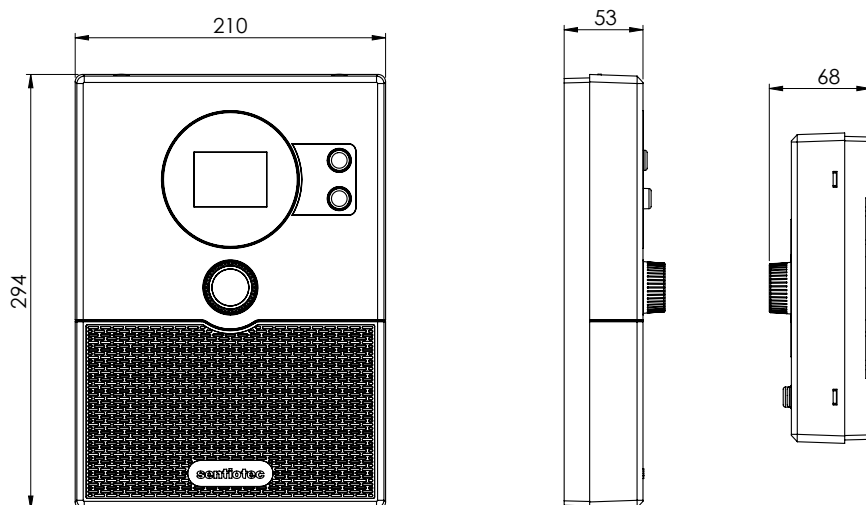
Funzionamento a scelta a uno o due sensori

Cavi di alimentazione

Cavo di alimentazione:	min 5 x 2,5 mm ²
Cavo di alimentazione stufa (termostabile fino a 150 °C):	min 2,5 mm ²
Cavi dei sensori (termostabili fino a 150 °C):	min 0,5 mm ²
Cavo della luce:	min 1,5 mm ²
Cavo del ventilatore:	min 1,5 mm ²

Modulo di espansione

Potenza amplificatore (@ 4 Ω):	2 x 3 W
Potenza musicale altoparlanti:	~ 25 W
Impedenza altoparlanti:	4 Ω o 8 Ω
Profilo Bluetooth:	Bluetooth 4.0 Class 2
Portata Bluetooth:	20 - 30 m
Profilo DMX:	DMX-512-A

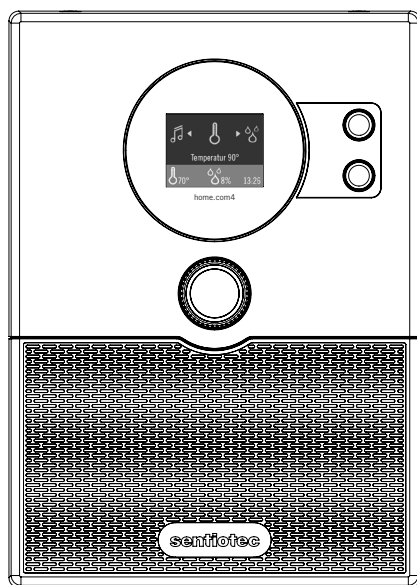


Bastustyrenhet

home.com4

med RS485-uttag

MONTERINGS- OCH BRUKSANVISNING
Svenska



SV

home.com4 BLACK RS485
home.com4 WHITE RS485

1-052-984 / HC4-B-RS485
1-052-985 / HC4-W-RS485

Innehållsförteckning

1. Om monterings- och bruksanvisningen	5
2. Viktig säkerhetsinformation	6
2.1. Ändamålsenlig användning	6
2.2. Säkerhetsanvisningar för installatören	7
2.3. Säkerhetsanvisningar för användaren	8
3. Produktbeskrivning	9
3.1. Leveransomfattning	9
3.2. Tillbehör	9
3.3. Funktioner	9
3.4. Driftsätt	11
3.5. Driftsätt givare	11
4. Montering	13
4.1. Montera styrenheten	13
4.2. Ledningsgenomföringar	16
4.3. Montera aggregatgivare F1 med övertemperaturskydd	17
4.4. Bänkgivare F2 (tillval)	18
4.5. Montera fukt-temperaturgivare FTS2 (tillval)	18
4.6. Montera filmgivare (tillval)	18
5. Elanslutning	19
5.1. Försörjningsledning, aggregat och förångare	21
5.2. Bastubelysning	21
5.3. Fläkt	21
5.4. Aggregatgivare F1	22
5.5. Bänkgivare F2 (tillval)	22
5.6. Fukt-temperaturgivare FTS2 (tillval)	22
5.7. Säkerhetsavstängning	23
5.8. Extrautgång	23

5.9.	Filmgivare (tillval)	23
5.10.	Effektförstärkning (tillval)	24
5.11.	Fjärrstart (tillval).....	24
5.12.	Högtalarutgång (tillval).....	24
5.13.	DMX-utgång (tillval).....	25
5.14.	BUSS-anslutning (RS485-uttag).....	26
5.15.	Ansluta installationen.....	26
6.	Genomföra kontroller	27
7.	Kopplingsschema	28
7.1.	Kopplingsschema basmodul för 230 V/400 V.....	28
7.2.	Kopplingsschema basmodul lågspänning.....	29
7.3.	Kopplingsschema förstärkt modul 230 V.....	30
7.4.	Kopplingsschema förstärkt modul lågspänning.....	31
8.	Kontrollelement	32
9.	Idrifttagning	33
9.1.	Tekniker meny.....	33
10.	Användning	36
10.1.	Slå på belysning (rengöringsbelysning).....	36
10.2.	Slå på styrenheten.....	36
10.3.	Bastudrift.....	37
10.4.	Kombidrift	38
10.5.	Eftertorkningsprogram.....	39
10.6.	Bastubelysning	39
10.7.	Fläkt.....	40
10.8.	Förinställd tid.....	40

10.9.	Körtid	41
10.10.	EKO-läge.....	42
10.11.	Veckotimer.....	43
10.12.	Barnlås.....	44
10.13.	Allt av.....	45
10.14.	Användarprogram.....	45
10.15.	Extrautgång.....	47
10.16.	Aktivera standby för fjärrstyrning.....	48
10.17.	Färgljus.....	49
10.18.	Musik.....	50
10.19.	BUSS-anslutning (RS485-uttag).....	52
11.	Bluetooth-app.....	53
11.1.	Secure Pairing Bluetooth.....	53
12.	Rengöring och underhåll.....	54
12.1.	Rengöring.....	54
12.2.	Underhåll.....	54
13.	Avfallshantering.....	54
14.	Problemlösning.....	55
14.1.	Felmeddelanden.....	55
14.2.	Indikering för vattenbrist.....	55
14.4.	Batteri.....	58
14.3.	Säkringar.....	58
15.	Tekniska data.....	59

1. Om monterings- och bruksanvisningen

Läs hela monterings- och bruksanvisningen noga och förvara den sedan i närheten av bastustyrenheten. Du kan då när som helst läsa de specifika säkerhets- och användningsanvisningarna.



Den här monterings- och bruksanvisningen kan även laddas ner från vår webbsida, www.sentiotec.com/downloads.

Symboler och varningar

I den här monterings- och bruksanvisningen används olika varningssymboler vid avsnitt som beskriver situationer som kan medföra fara eller risker av olika slag. Dessa varningar ska alltid beaktas. På så sätt undviker man saksador och personskador, som i värsta fall kan ha dödlig utgång.

Följande signalord används:



FARA!

Om de här varningarna/anvisningarna inte följs leder det till allvarliga eller livsfarliga skador.



VARNING!

Om de här varningarna/anvisningarna inte följs kan det leda till allvarliga eller livsfarliga skador.



FÖRSIKTIGHET!

Om de här varningarna/anvisningarna inte följs kan det leda till lindriga skador.

VARNING!

Varnar för saksador.

Övriga symboler



Används vid tips och nyttig information.

2. Viktig säkerhetsinformation

Bastustyrenheterna i home.com4-serien är konstruerade i enlighet med vedertagna säkerhetstekniska regler. Det kan ändå uppstå vissa risker under användningen. Följ alltid nedanstående säkerhetsanvisningar och observera de särskilda varningarna i resp. kapitel. Observera även säkerhetsanvisningarna till anslutna apparater.

2.1. Ändamålsenlig användning

Bastustyrenheterna i home.com4-serien ska endast användas för att styra och reglera funktionerna enligt tekniska data.

Bastustyrenheterna i home.com4-serien får endast användas till att reglera bastuaggregat som har klarat ett övertäckningstest enligt 19.101 i EN 60335-2-53. Om man inte kan uppfylla det här villkoret med aggregatet måste man vidta lämpliga säkerhetsförebyggande åtgärder (t.ex. genomföra en säkerhetsavstängning, se 5.7 på sidan 23).

Bastustyrenheterna i home.com4-serien får endast användas för att styra och reglera 3 värmekretsar med en värmeeffekt på max. 3,5 kW per värmekrets. Max. förångareffekt är 3,5 kW. Max. effekt på ex-
trautgången är 3,5 kW.

All annan användning betraktas som ej ändamålsenlig. Ej ändamålsenlig användning kan leda till skador på produkten och innebära risk för allvarliga eller livsfarliga skador.

2.2. Säkerhetsanvisningar för installatören

- Montering/installation får endast utföras av elektriker.
- Arbeten på bastustyrenheten får endast genomföras i spänningslöst tillstånd.
- På plats ska en allpolig fränskiljare med komplett avstängning enligt överspänningskategori III installeras.
- Bastustyrenheten ska monteras utanför bastun på ca 1,70 meters höjd eller enligt rekommendationen från bastuns tillverkare. Omgivningstemperaturen måste ligga inom området -10 °C till 40 °C.
- Aggregatgivaren ska monteras så att den inte påverkas av inströmmande luft.
- Elkabeln till aggregatet måste ha en kabelarea på minst 2,5 mm² och vara temperaturbeständig upp till 150 °C.
- Följ gällande lokala bestämmelser.
- Om det uppstår problem som inte beskrivs tillräckligt detaljerat i monteringsanvisningarna, vänd dig, för din egen säkerhets skull, till leverantören/återförsäljaren.

2.3. Säkerhetsanvisningar för användaren

- Barn under 8 år får inte använda bastustyrenheten.
- Under följande förutsättningar får bastustyrenheten användas av barn över 8 år, av personer med nedsatt psykisk, sensorisk eller mental förmåga och av personer som saknar erfarenhet och kunskap med/om liknande utrustningar:
 - under uppsikt.
 - när de har instruerats om säker användning och känner till vilka risker som kan uppstå.
- Barn får inte leka med bastustyrenheten.
- Barn under 14 år får endast rengöra bastustyrenheten under uppsikt.
- Av hälsoskäl bör man inte bada bastu när man är påverkad av alkohol, läkemedel eller droger.
- Kontrollera att det inte finns några brännbara föremål på bastuaggregatet innan styrenheten slås på.
- Kontrollera att det inte finns några brännbara föremål på bastuaggregatet innan du aktiverar timerfunktionen eller standby-läget för fjärrstart.
- Kontrollera att det inte finns några brännbara föremål på eller framför den infraröda lampan innan bastustyrenheten slås på.
- Kontrollera att det inte finns några brännbara föremål på eller framför den infraröda lampan innan du aktiverar timer eller standby-läget för fjärrstart.
- Om det uppstår problem som inte beskrivs tillräckligt detaljerat i bruksanvisningen, vänd dig, för din egen säkerhets skull, till leverantören/återförsäljaren.

3. Produktbeskrivning

3.1. Leveransomfattning

- Bastustyrenhet home.com4
- Aggregatgivare med integrerat övertemperaturskydd
- Kablar till givare
- Monteringsmaterial
 - 4 x skruv för spånplattor 3 x 25 mm linsformigt huvud

3.2. Tillbehör

- Bänkgivare (1-009-231/O-F2), givarledningar 1,5 m
- Fukt-temperaturgivare (1-010-081/O-FTS2), givarledningar 6 m
- Foliegivare (1-014-445/P-ISX-FF), givarledningar 3 m
- Effektförstärkning (1-008-779/O-S2-18, 1-009-280/O-S2-30)
- Säkerhetsavstängning (SFE-xxxxx)

3.3. Funktioner

Bastustyrenheten home.com4 har följande funktioner:

- Reglering av kombiaggregat med upp till 10,5 kW effekt och upp till 3,5 kW ångeffekt i ett temperaturområde från 30 °C till 110 °C och ett fuktighetsområde från 0 till 100 %.
- Med en effektförstärkning kan max. bryteffekt ökas från 10,5 kW till 18 kW eller 30 kW.
- Till-/bortkoppling av en bastubelysning (upp till 100 W)
- Till-/bortkoppling av en fläkt (upp till 100 W)
- Timer (upp till 6 timmar)
- Användarprogram
Med användarprogrammen kan man lagra och öppna bastuinställningar. 5 förinställda användarprogram, som kan ändras av användaren, står till förfogande.
- Automatisk tidsgräns för uppvärmning
Den maximalt ställbara uppvärmningstiden kan ändras till 6 h, 12 h, 18 h eller 24 h.

- Övertemperaturskydd
Övertemperatursäkringens sitter i huset på aggregatgivaren. Om bastuaggregatet fortsätter att värma efter att inställd temperatur har nåtts, stänger övertemperaturskyddet av bastuaggregatet automatiskt vid cirka 139 °C.
- Realtid med veckotimer
- Eftertorkningsprogram
Efter kombidriften startar eftertorkningsprogrammet automatiskt, för att förhindra att mögel och röta bildas i bastukabinen. Med fläkten igång värms bastun upp till 80 °C under 30 minuter.
- Extrautgång
Dimma (upp till 500 W) eller aktivera/inaktivera (upp till 3,5 kW) extrautgången.

Extrautgången har inget övertemperaturskydd. Därför får endast egensäkra enheter anslutas till extrautgången.
 - Infraröda lampor som ansluts till extrautgången måste vara försedda med övertemperaturskydd.
 - Om infraröda värmeplattor ansluts till extrautgången, måste foliegivaren 1-014-445/P-ISX-FF användas, den ska aktiveras i Teknikermenyn (se ”**9.1. Teknikermenyn**” på sidan 33):
- Fjärrstartfunktion för två olika driftsätt eller användarprogram.
- Färgljusreglering via DMX
 - Inställning av färg, ljusstyrka, övergångstider och tidsåtgång.
 - Det finns fyra färgljusgrupper som manövreras oberoende av varandra.
- Uppspelning av musik via Bluetooth®
 - Inbyggd förstärkare
- Användning via Bluetooth®-app
 - Kan användas med iOS och Android
- BUS-anslutning
 - Anslutning till hus-bussystemet med RS485-uttag
 - Anslutning till MySentio wifi

3.4. Driftsätt

Bastustyrenheten home.com4 har två driftsätt, bastu- och kombidrift. Om man inte ansluter någon förångare kan man dölja menypunkten för manövrering av förångaren (se ”9.1. Teknikermeny” på sidan 33).

Bastudrift

I bastudrift skapas det torr värme. Temperaturen i bastun är hög (80 till 100 °C). Fukthalten är låg, max. 10 %.

Kombidrift

I kombidrift är både bastuaggregatet och förångaren i drift. Temperaturen i bastun är lägre (ca 40 till 65 °C) än i bastudrift, men den relativa luftfuktigheten är betydligt högre, från 35 % till 70 %. Max. inställningsbar fuktighet beror på bastutemperaturen. Ju högre bastutemperatur, desto lägre max. inställningsbart fuktvärde.

3.5. Driftsätt givare

Bastustyrenheterna i home.com4-serien kan drivas med en eller två givare. Som andra givare kan en temperaturgivare (bänkgivare F2) eller en fukt-temperaturgivare (FTS2) användas.

Drift med en givare (F1)

Vid drift med en givare riktar sig max inställningsbart fuktvärde efter temperaturen ovanför aggregatet och fuktigheten justeras efter temperaturen. På bastustyrenhetens display visas bara börvärdet för fuktighet (i % relativ fuktighet). Den faktiska fuktigheten i bastun beror på bastuns storlek och förångarens effekt och kan avvika från inställt börvärde.

Drift med bänkgivare (F2)

Vid drift med två givare monteras en andra temperaturgivare (bänkgivare) ovanför den bakre bastubänken. Bastustyrenheten visar temperaturen från bänkgivaren som faktisk temperatur.

Vid drift med två givare med bänkgivare är fuktigheten justerad. På bastustyrenhetens display visas bara börvärdet för fuktighet (i % relativ fuktighet). Den faktiska fuktigheten i bastun beror på bastuns storlek och förångarens effekt och kan avvika från inställt börvärde.

Drift med två givare med fukt-temperaturgivare (FTS2)

Vid drift med två givare med en fukt-temperaturgivare visar bastustyrenheten temperaturen från fukt-temperaturgivaren som faktisk temperatur.

Vid drift med två givare med en fukt-temperaturgivare regleras förångaren efter uppmätt fuktighet i bastun. På bastustyrenhetens display visas bara börvärdet för fuktighet i bastun (i % relativ fuktighet).

Om man ansluter en fukt-temperaturgivare är det inte möjligt att dölja meny-punkten "Förångare".

4. Montering

4.1. Montera styrenheten

WARNING!**Skador på enheten**

Bastustyrenheten är skyddad mot stänkvatten, men apparaten kan skadas vid direkt kontakt med vatten.

- Montera bastustyrenheten på ett torrt ställe där max. luftfuktigheten aldrig överskrider 95 %.
-

OBS!**Störningskällor kan påverka signalöverföringen**

- Dra alla givarledningarna separat från andra nätledningar och styrledningar.
 - Skydda enkelisolerade kablar med ett rör (dubbel isolering).
-

Observera följande punkter vid montering av bastustyrenheten:

- Bastustyrenheten ska monteras utanför bastun eller enligt rekommendationen från bastuns tillverkare.
- Omgivningstemperaturen måste ligga inom området -10 °C till +40 °C.
- Alla givare får endast anslutas med de bifogade givarledningarna, som är temperaturbeständiga upp till 150 °C.



Givarledningarna får endast förlängas under följande förutsättningar:

- En värmebeständig (upp till 150 °C) silikonkabel används.
 - Min. kabelarea är 0,5 mm².
 - Aggregatgivarledningarna får INTE vara längre än 10 m.
-

Montering av bastustyrenheten

Genomför följande steg för att montera bastustyrenheten:

1. Skruva in två skruvar för spånplattor (3 x 25 mm) på ca 1,70 m höjd i bastuväggen tills 7 mm sticker ut. De båda skruvarna måste ha ett avstånd på 156 mm (se **Bild 1**).

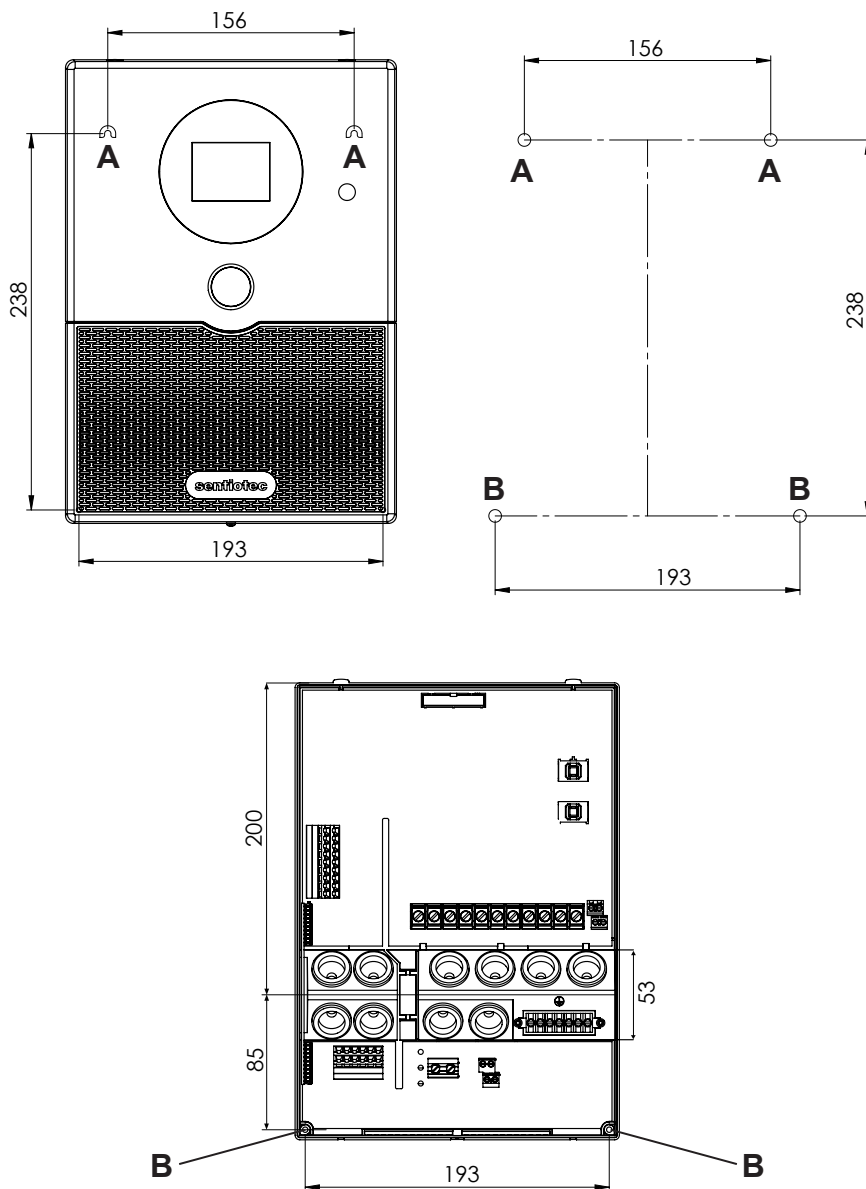
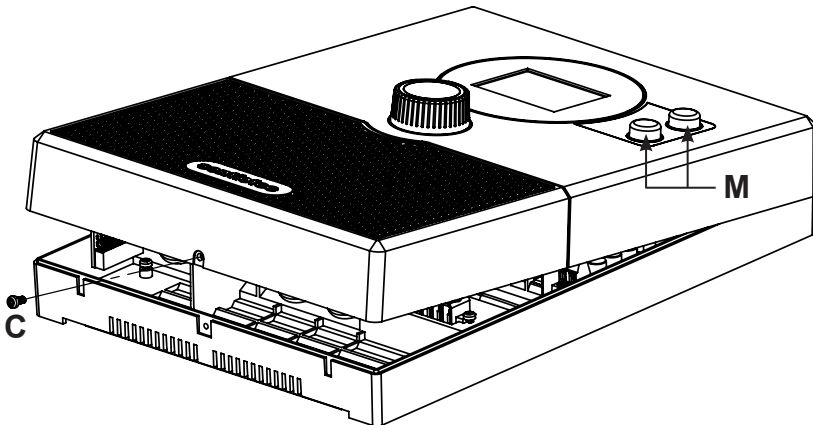


Bild 1 Position på upphängningsanordningen och monteringshålen (mått i mm)

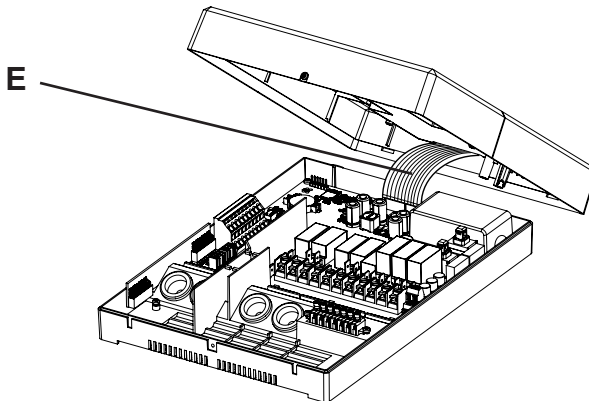
2. Ta bort kapslingskruven **C** med en skruvmejsel och lyft locket från undersidan (se **Bild 2**).

WARNING!

När man lyfter upp locket lossnar både På/Av-knappen **D** och ljusbrytaren **D** från fästet. Spara dessa på ett säkert sätt tills anslutningsarbetena är klara.

**Bild 2 Borttagning av locket**

3. Dra försiktigt i den platt bandkabeln **E** för att lossa den från anslutningsdonet (**Bild 3**).

**Bild 3 Koppla bort platt bandkabel**

4. Häng upp bastustyrenheten i upphängningsanordningen **A** på de inskruvade skruvarna (se **Bild 1**).
5. Skruva in två skruvar för spånplattor(3 x 25 mm) i de nedre fästöppningar-
na **B** (se **Bild 1**).

4.2. Ledningsgenomföringar

Dra anslutnings-, försörjnings- och givarledningar i förväg i bastuväggen och dra dem genom bastustyrenhetens respektive ledningsgenomföringar.

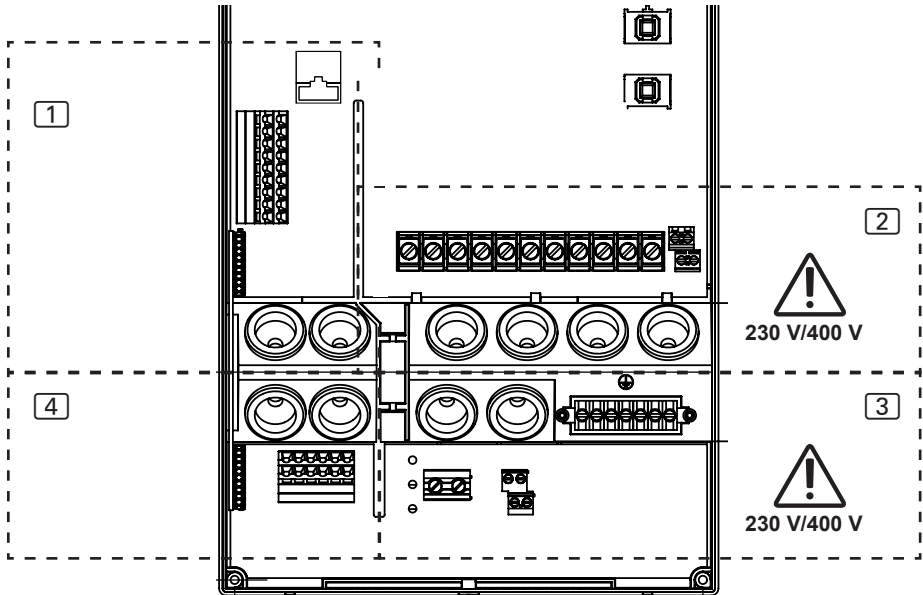


Bild 4 Anslutningsområden

- 1 Anslutningsområde basmodul lågspänning:** Aggregatgivare (F1), bänkgivare (F2), fuktgivare (FTS2) säkerhetsavstängning (OSG) och BUSS-anslutning
- 2 Anslutningsområde basmodul för 230 V/400 V:** Försörjningsledning, ugnsledning, belysning och fläkt.

Förstärkt modul:

- 3 Anslutningsområde för 230 V:** Extrautgång och effektförstärkning.
- 4 Anslutningsområde lågspänning:** Högtalarledningar, fjärrstart, filmgivare och DMX.

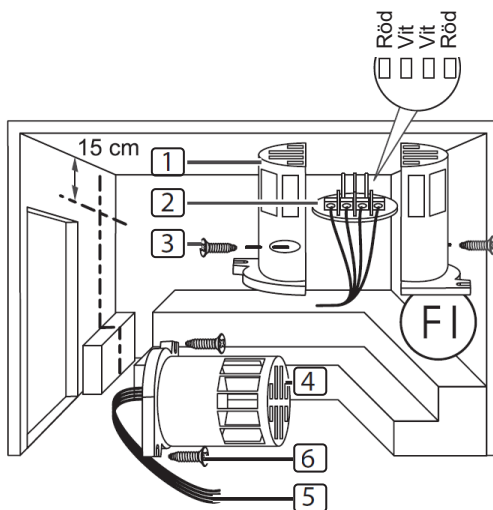
4.3. Montera aggregatgivare F1 med övertemperaturskydd

Observera följande punkter vid montering av aggregatgivaren:

- Aggregatgivaren ska monteras på aggregatets baksida ovanför mitten av aggregatet. Den måste sitta minst 15 cm från bastuns tak.
- Aggregatgivaren ska monteras så att den inte påverkas av inströmmande luft.

Genomför följande steg för att montera aggregatgivaren (se **Bild 5**):

1. Dra de båda 2-poliga aggregatgivarledningarna genom bastuväggen till aggregatgivarens monteringsplats och fixera ledningen med kabelklämmor.
2. Sära på halvskalen [1] till aggregatgivaren.
3. Kläm fast de fyra anslutningarna på aggregatgivarledningarna [5] enligt **Bild 5**.
4. Lägg anslutningsplattan [2] på tvären (enligt **Bild 5**) i aggregatgivarens halvskal.
5. Stäng halvskalen och fixera med de båda stjärnskruvarna [3] (9 mm) och kontrollera att aggregatgivaren sitter fast ordentligt.
6. Montera aggregatgivaren på aggregatets baksida med de båda bifogade träskruvarna [6] (16 mm).



- 1 Aggregatgivarens halvskal
- 2 Anslutningsplatta
- 3 Stjärnskruvar (9 mm)
- 4 Aggregatgivare
- 5 Kablar till aggregatgivare
- 6 Träskruvar (16 mm)

Bild 5 Montering av ugnsgivare

4.4. Bänkgivare F2 (tillval)

Bänkgivaren ska monteras på bastuväggen ovanför den bakre bastubänken. Den måste sitta minst 15 cm från bastuns tak.

Genomför följande steg för att montera bänkgivaren:

1. Dra den 2-poliga bänkgivarledningen genom bastuväggen till bänkgivarens monteringsplats och fixera ledningen med kabelklämmor.
2. Sära på halvskalen till bänkgivaren.
3. Kläm fast bänkgivarledningarnas båda anslutningar på anslutningsplattans båda mellersta klämmor.
4. Lägg anslutningsplattan på tvären i bänkgivarens halvskal.
5. Stäng halvskalen och fixera med de båda stjärnskruvarna (9 mm).
6. Kontrollera att bänkgivaren sitter fast ordentligt.
7. Montera bänkgivaren på bastuväggen med de båda bifogade träskruvarna (16 mm).

4.5. Montera fukt-temperaturgivare FTS2 (tillval)

Fukt-temperaturgivaren ska monteras på bastuväggen ovanför den bakre bastubänken. Den måste sitta minst 15 cm från bastuns tak.

Genomför följande steg för att montera fukt-temperaturgivaren:

1. Dra den 5-poliga fukt-temperaturgivarledningen genom bastuväggen till fukt-temperaturgivarens monteringsplats och fixera ledningen med kabelklämmor.
2. Montera fukt-temperaturgivaren på bastuväggen med de båda bifogade träskruvarna (16 mm).

4.6. Montera filmgivare (tillval)

Om det ansluts en sentiotec infraröd värmeplatta vid extrautgången måste man använda filmgivaren 1-014-445/P-ISX-FF.

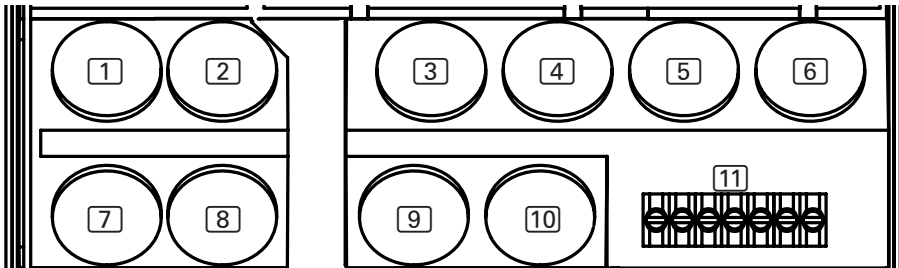
- Observera värmeplattatillverkarens bruksanvisning vid montering av filmgivaren.
- Användningen av en filmgivare måste aktiveras i Teknikermenyn.

5. Elanslutning

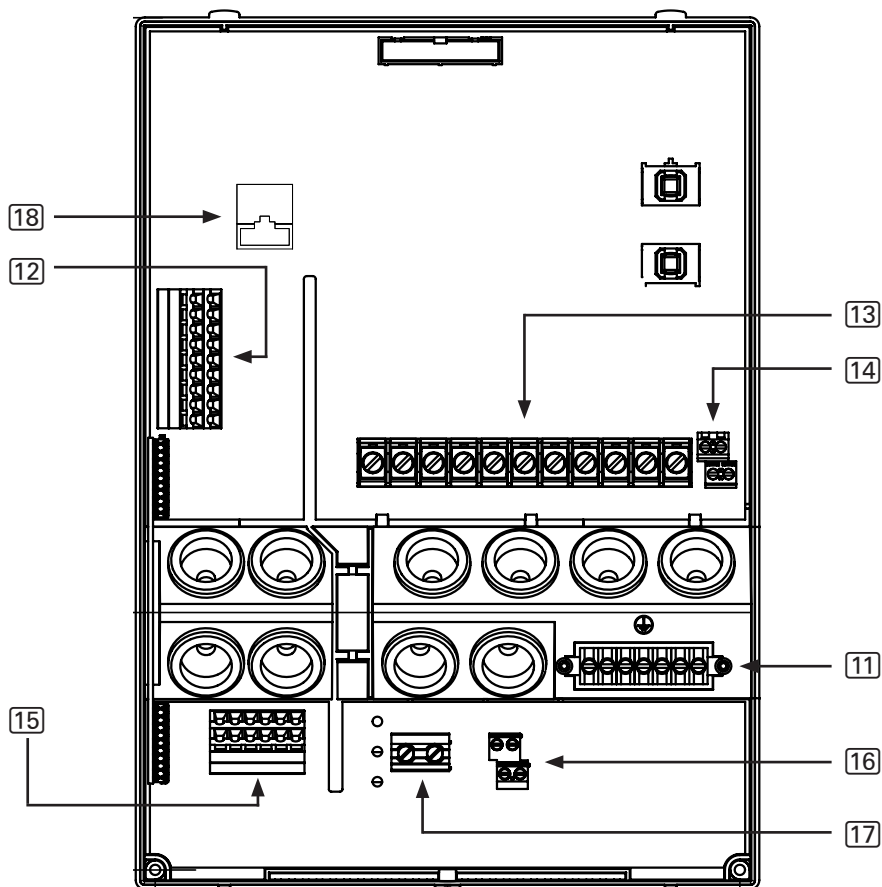
OBS!

Skador på enheten

- Bastustyrenheten får endast användas för att styra och reglera 3 värmekretsar med en värmeeffekt på max. 3,5 kW per värmekrets. Max. förångareffekt är 3,5 kW. Max. effekt på extrautgången är 3,5 kW.



- 1 Kabelhål för FTS2-givare, RS485-BUSS-ledning
- 2 Kabelhål för F1-givare, F2-givare och säkerhetsavstängning
- 3 Kabelhål för förångarledning
- 4 Kabelhål för aggregatledning
- 5 Kabelgenomföring för försörjningsledning
- 6 Kabelhål för belysning och fläkt
- 7 Kabelhål för högtalarledningar och DMX-ledning
- 8 Kabelhål för fjärrstart och filmgivare
- 9 Kabelhål för extrautgång
- 10 Kabelhål för effektförstärkning
- 11 Jordad strömskena



- [11] Jordad strömskena
- [12] Kopplingsplint för säkerhetsavstängning och givarledningar
- [13] Kopplingsplint för aggregat-, förångar- och försörjningsledningar
- [14] Kopplingsplint för belysning och fläkt
- [15] Kopplingsplint för DMX, högtalare, fjärrstart och filmgivare
- [16] Kopplingsplint för extrautgång
- [17] Kopplingsplint för effektförstärkning
- [18] BUSS-uttag för RS485 (RJ45)

Observera följande punkter vid elektrisk anslutning av bastustyrenheten:

- Montering/installation får endast utföras av elektriker.
- Arbeten på bastustyrenheten får endast genomföras i spänningslöst tillstånd.



Observera: Vid garantianspråk ska en kopia på fakturan från den elektriker som har utfört arbetet bifogas.

- Den elektriska anslutningen måste vara en fast anslutning.
- På plats ska en allpolig frånskiljare med komplett avstängning enligt över-spänningskategori III installeras.
- Beakta anvisningarna i kapitlet ”7. Kopplingschema” på sidan 28.

5.1. Försörjningsledning, aggregat och förångare

1. Dra försörjningsledning, aggregat- och förångarledning genom hålen [3], [4], [5] till anslutningsområdet 230 V/400 V.
2. Anslut ledningen enligt elschemat på kopplingsplinten [13]. Observera bruksanvisningen till respektive apparat.

5.2. Bastubelysning

1. Dra belysningsledningen genom hålet [6] till anslutningsområdet för 230 V/400 V.
2. Anslut belysningsledningen enligt elschemat på kopplingsplinten [14]. Observera bruksanvisningen till respektive apparat.

5.3. Fläkt

1. Dra fläktledningen genom hålet [6] till anslutningsområdet för 230 V/400 V.
2. Anslut fläktledningen enligt elschemat på kopplingsplinten [14]. Observera bruksanvisningen till respektive apparat.

5.4. Aggregatgivare F1

1. Dra aggregatgivarens anslutningskabel genom hålet **[2]** till anslutningsområdet för lågspänning.
2. Anslut de röda aggregatgivarledningarna till klämmorna med texten "**STB**" i plintlisten **[12]**.
3. Anslut de vita aggregatgivarledningarna till klämmorna med texten "**F1**" på kopplingsplinten **[12]**.

5.5. Bänkgivare F2 (tillval)

1. Dra bänkgivarens anslutningskabel genom hålet **[2]** till anslutningsområdet för lågspänning.
2. Anslut bänkgivarens ledningar till klämmorna med texten "**F2**" på kopplingsplinten **[12]**.

5.6. Fukt-temperaturgivare FTS2 (tillval)

1. Dra givarens anslutningskabel genom hålet **[1]** till anslutningsområdet för lågspänning.
2. Anslut temperaturgivarens ledningar till klämmorna med texten "**F2**" på kopplingsplinten **[12]**.
 - a. Anslut den svarta ledningen till den högra klämman.
 - b. Anslut den bruna ledningen till den vänstra klämman.
3. Anslut fuktgivarens ledningar till klämmorna med texten "**FTS2**" på kopplingsplinten **[12]**.
 - c. Anslut den gröna ledningen till klämman "**GREEN**".
 - d. Anslut den orangea ledningen till klämman "**ORANGE**".
 - e. Anslut den röda ledningen till klämman "**RED**".

5.7. Säkerhetsavstängning

Enligt EN 60335-2-53 får bastustyrenheter med fjärrstyrning endast användas för bastuaggregat som har genomgått och klarat ett övertäckningstest enligt avsnitt 19.101. Alternativt kan en säkerhetsavstängning installeras ovanför eller i aggregatet. De stänger av aggregatet när föremål, t.ex. en handduk, ligger på aggregatet.

Genomför följande steg för att montera säkerhetsavstängningen:

1. Montera säkerhetsavstängningen enligt apparatens bruksanvisning.
2. Dra säkerhetsavstängningens anslutningskabel genom hålet **[2]** till anslutningsområdet för lågspänning.
3. Anslut ledningarna till klämmorna med texten "**OSG**" på kopplingsplinten **[12]**.



Om ingen säkerhetsavstängning monteras, måste en trådbygel monteras på anslutningarna med texten "**OSG**".

5.8. Extrautgång

Extrautgången kan t.ex användas för infraröd-lampor eller infraröd-värmeplattor.

1. Dra ledningen för extraapparat genom hålet **[9]** till anslutningsområdet för 230 V/400.
2. Anslut ledningen enligt elschemat på kopplingsplinten **[16]**. Observera bruksanvisningen och säkerhetsanvisningarna till respektive apparat.

Observera under alla omständigheter extrautgångens maximala anslutningseffekt:

- Dimningsbar upp till maximalt 500 W
- Kopplingsbar upp till maximalt 3 500 W

5.9. Filmgivare (tillval)

1. Dra givarens anslutningskabel genom hålet **[8]** till anslutningsområdet för lågspänning på den förstärkta modulen.
2. Anslut givarens ledningar till klämmorna med texten "**FOIL SENSOR**" på kopplingsplinten **[15]**.

5.10. Effektförstärkning (tillval)

1. Dra ledningen för effektförstärkning genom hålet **[10]** till anslutningsområdet för 230 V/400 V.
2. Anslut ledningen för effektförstärkning enligt elschemat på kopplingsplinten **[17]**. Använd klämma "ST1" för säkerhetskretsen och klämma "ST2" för styrkretsen. Observera bruksanvisningen till respektive apparat.

5.11. Fjärrstart (tillval)

Anslutning sker via plintarna "RS1", "RS2" och "24VDC" på plintlisten **[15]**.

+24 VDC måste kopplas till klämman för önskat driftsätt **RS1** eller **RS2** via en brytare eller en aktuator.

I Teknikermenyn kan **RS1** och **RS2** tilldelas valfritt driftsätt eller ett användarprogram (se "10.16. Aktivera standby för fjärrstyrning" på sidan 48).

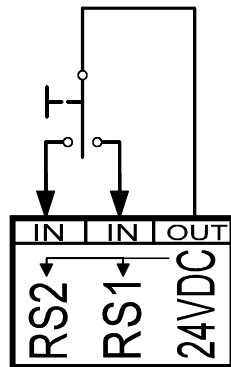


Bild 6 Fjärrstart

5.12. Högtalarutgång (tillval)

Till högtalarutgången kan man ansluta gängse högtalare med en rekommenderad belastning på ca 25 W. Impedansen bör ligga på 8 Ω. Högtalarkabelns area får inte understiga 2 x 0,5 mm².

1. Dra högtalarkabeln genom hålet **[7]** till anslutningsområdet för lågspänning på den förstärkta modulen.
2. Anslut högtalarledningen till kopplingsplinten **[15]** med texten **RS-** och **RS+** för höger högtalare, samt **LS-** och **LS+** för vänster högtalare. Kontrollera att anslutningsledningarnas poler är rätt placerade för bästa ljudkvalitet.

5.13. DMX-utgång (tillval)

1. Dra DMX-anlutningskabel genom hålet **7** till anslutningsområdet för lågspänning på den förstärkta modulen.
2. Anslut DMX-anlutningsledningarna enligt beteckningarna på kopplingsplinten **15**.
 - **DMX A** (DATA +)
 - **DMX B** (DATA -)
 - **GND** (jordad/isolerad)

Det finns stöd för fyra olika DMX-protokoll som samtidigt skickas ut vid DMX-utgången:

1. 8-bit RGBW
2. 16-bit RGBW
3. 8-bit Hue - Value - Saturation (t.ex. för COLLAXX färgljusanordningar)
4. 8-bit Hue - Saturation - Value

Använd den nedanstående adressöversikten för att integrera färgljusanordningen i bastustyrenheten.

RGBW_8BIT

- Startadress: Kanal 1
 - ▶ Kanal belysningsgrupp 1: **1**
 - ▶ Kanal belysningsgrupp 2: **5**
 - ▶ Kanal belysningsgrupp 3: **9**
 - ▶ Kanal belysningsgrupp 4: **13**

RGBW_16BIT

- Startadress: Kanal 17
 - ▶ Kanal belysningsgrupp 1: **17**
 - ▶ Kanal belysningsgrupp 2: **25**
 - ▶ Kanal belysningsgrupp 3: **33**
 - ▶ Kanal belysningsgrupp 4: **41**

COLLAXX (HUE - VALUE - SATURATION, 8-bit)

- Startadress: Kanal 49
 - ▶ Kanal belysningsgrupp 1: **49**
 - ▶ Kanal belysningsgrupp 2: **52**
 - ▶ Kanal belysningsgrupp 3: **55**
 - ▶ Kanal belysningsgrupp 4: **58**

HSV (HUE - SATURATION - VALUE, 8-bit)

- Startadress: Kanal 61
 - ▶ Kanal belysningsgrupp 1: **61**
 - ▶ Kanal belysningsgrupp 2: **64**
 - ▶ Kanal belysningsgrupp 3: **67**
 - ▶ Kanal belysningsgrupp 4: **70**

5.14. BUSS-anslutning (RS485-uttag)

1. Dra RJ45-ledningarna genom hålet **[1]** till anslutningsområdet för lågspänning.
2. Anslut dataledningen till RJ45-uttaget **[18]**.
3. Beakta bruksanvisningen och säkerhetsanvisningarna för respektive enhet (RS485-anslutning, MySentio wifi osv.)

5.15. Ansluta installationen

1. Anslut försörjningsledningens skyddsledning och alla apparater till jordledningen **[11]**.
2. Placera kapslingslocket på överkanten och förbind den platta bandkabeln med kapslingens underdel.
3. Tryck kapslingens överdel nedåt och skruva in kapslingsskruven med en skruvdragare.
4. Till sist sätter man in de två knapparna (På-/Av-knapp och ljusbrytaren) i kapslingens överdel tills man hör att knapparna hakar fast.

6. Genomföra kontroller

**WARNING!**

**Följande kontroller genomförs med strömmen påslagen.
Risk för strömstötar.**

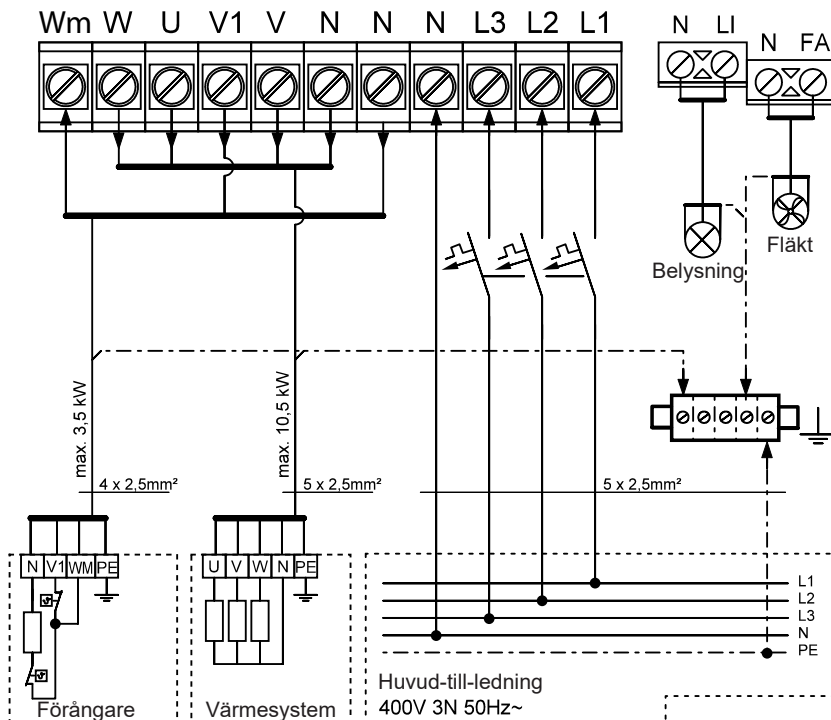
- Vidrör ALDRIG spänningsförande delar.

Följande kontroller måste genomföras av en behörig elektriker.

1. Kontrollera jordledningarnas kontakt på skyddsledaranslutningen.
2. Kontrollera aggregatgivarens F1 övertemperaturskydd.
 - a. Slå på bastustyrenheten.
 - ▶ Om det visas felmeddelanden ska man hoppa till steg ”**14.1. Felmeddelanden**” på sidan 55.
 - b. Öppna aggregatgivaren och koppla bort en av de två röda givarkablarna.
 - ▶ En återkommande varningssignal hörs, på displayen visas ”Fel *01”.
 - ▶ Styrenheten stänger av aggregatet.
 - c. Stäng av bastustyrenheten.
 - d. Anslut den röda aggregatgivarledningen igen.
 - e. Koppla nu bort en av de vita givarkablarna.
 - f. Slå på bastustyrenheten.
 - ▶ En återkommande varningssignal hörs, på displayen visas ”Fel *04F1”.
 - ▶ Styrenheten stänger av aggregatet.
 - g. Stäng av bastustyrenheten.
 - h. Anslut den vita aggregatgivarledningen igen.
3. Kontrollera fasgenomkopplingen för bastudriften L1, L2, L3 till U, V, W samt den maximalt tillåtna värmeeffekten 3,5 kW per fas.
4. Endast vid användning av en förångare: Kontrollera fasgenomkopplingen för förångar-driften L1, L2, L3 till U, V1, W.
5. Kontrollera fasgenomkopplingen från L3 till AUX vid aktivering av apparater till extrautgången.

7. Kopplingschema

7.1. Kopplingschema basmodul för 230 V/400 V



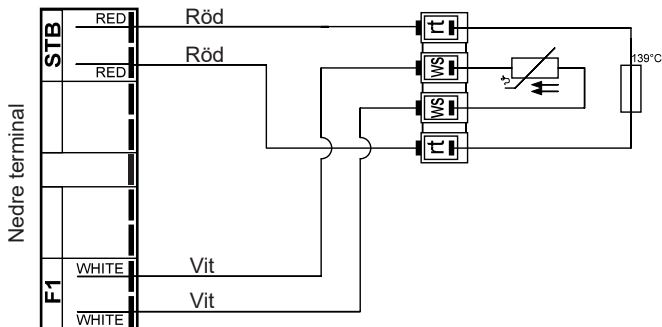
Rekommenderade skyddsanordningar till-ledning:

Säkring för försörjningsledning: 3 x 20 A (CAT III)

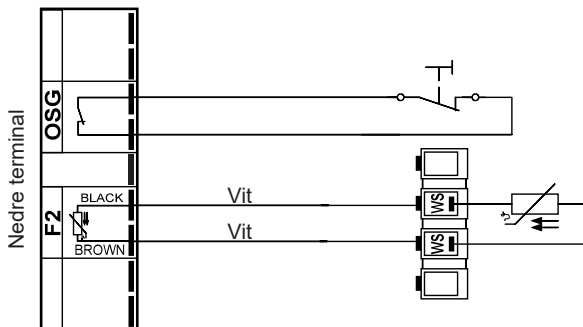
FI (jordbrytare): 30 mA

7.2. Kopplingschema basmodul lågspänning

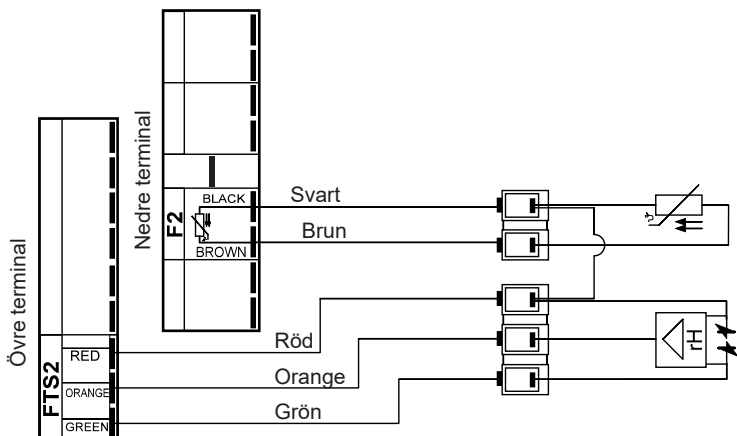
Anslutning aggregatgivare F1:



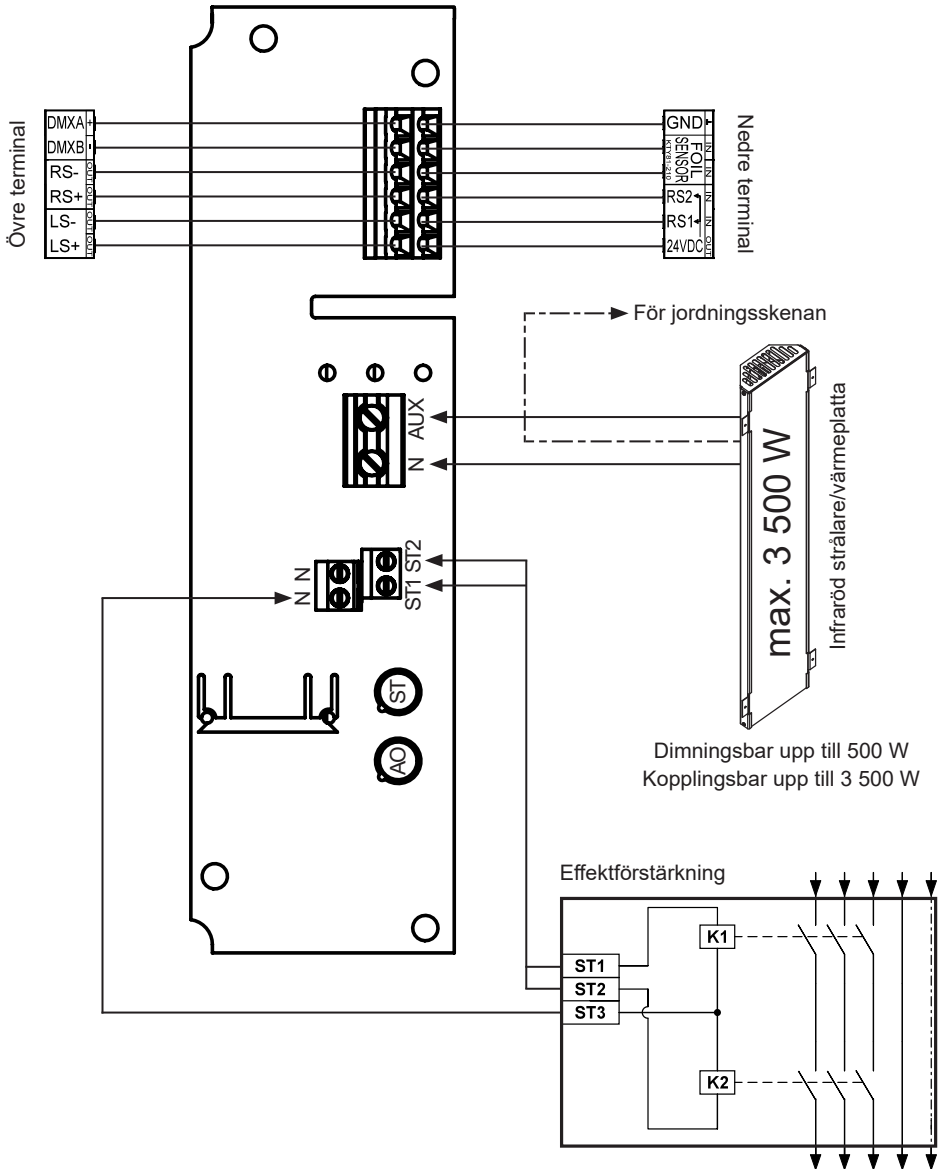
Anslutning bänggivare F2 och säkerhetsavstängning OSG:



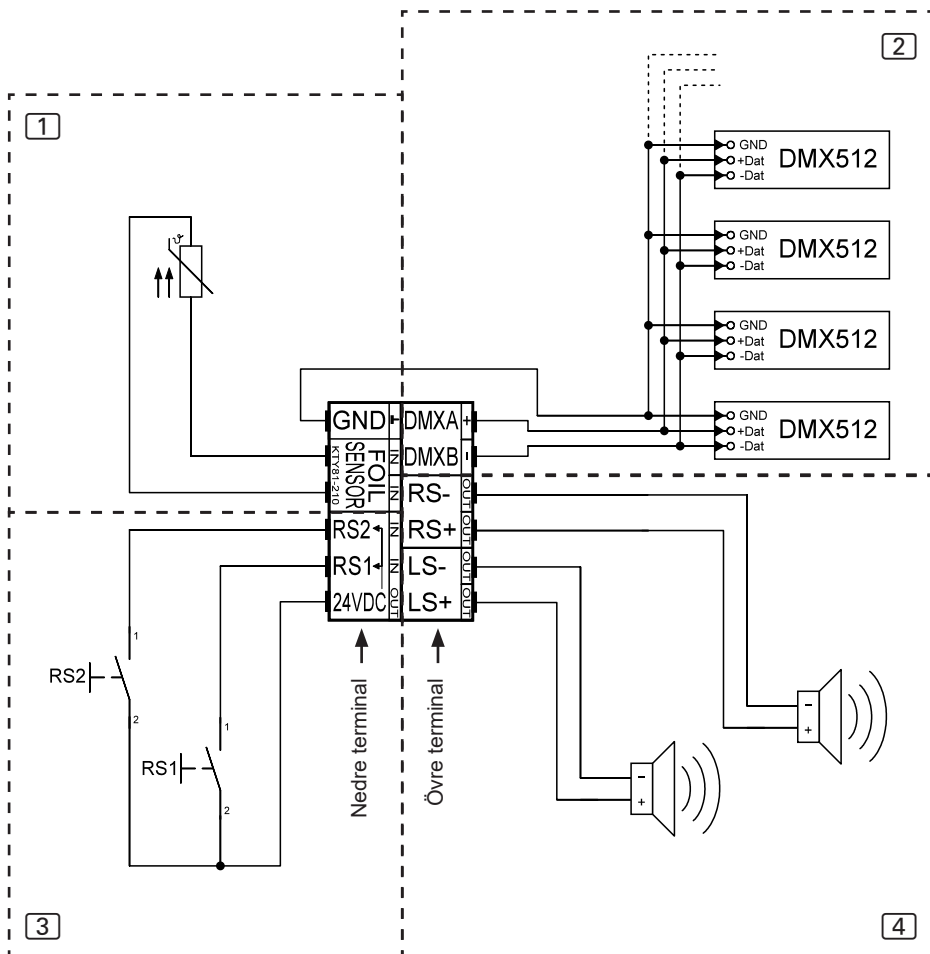
Anslutning fukt- temperaturgivare FTS2:



7.3. Kopplingschema förstärkt modul 230 V



7.4. Kopplingschema förstärkt modul lågspänning



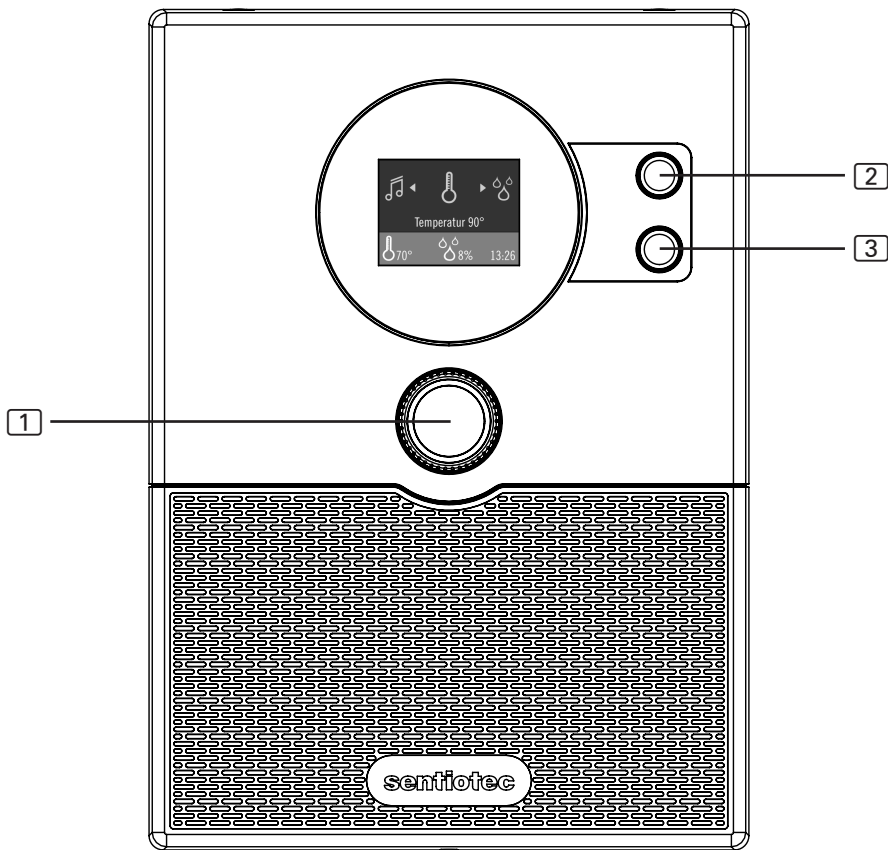
1 Anslutning filmgivare

2 Anslutning DMX

3 Anslutning fjärrstart

4 Anslutning högtalare

8. Kontrollelement



- 1 **Vridväljare** (vrid- och tryckknapp för menyanvändning)
- 2 **Huvudbrytare** (påslagning och avstängning av bastustyrningen)
- 3 **Belysningsknapp** (till- och bortkoppling av bastubelysningen)

9. Idrifftagning

9.1. Teknikermeny

Bastustyrenheten home.com4 har en separat Teknikermeny som inte är en del av huvudmenyn, där man gör alla grundinställningar.

Teknikermenyn finns bara på engelska.

Gör enligt följande för att komma till Teknikermenyn:

1. Stäng av bastustyrenheten
2. Håll vridväljaren intryckt och slå på bastustyrenheten med huvudbrytaren e.
 - ▶ Nu visas Teknikermenyn i displayen tillsammans med de tillgängliga menypunkterna.

Menynavigering

Använd vridväljaren för att navigera genom menyn.

- Vrid vridväljaren till höger för att rulla nedåt i menyn.
- Vrid vridväljaren åt vänster för att rulla uppåt i menyn.
- Tryck på vridväljaren för att välja en menypunkt.
 - ▶ Inställningen för respektive menypunkt visas mot grön bakgrund och kan nu ändras.
- Vrid nedåt eller uppåt för att visa de tillgängliga inställningsalternativen.
 - ▶ Tryck på vridväljaren för att bekräfta valet.



EN 60335-2-53 definierar en tidsgräns för uppvärmning på 6 h för privata bastur. För bastur i hotell, flerfamiljshus och liknande platser kan en tidsgräns för uppvärmning på 12 h tillämpas. Endast för offentliga bastur kan tidsgränsen för uppvärmning förlängas till 18 h eller 24 h.

<i>Menypunkt</i>	<i>Beskrivning</i>	<i>Inställningsalternativ</i>
Language	Ställa in menyspråk	Tyska, engelska, svenska, franska, slovenska, spanska, estniska, finska, italienska, nederländska, polska, ryska, tjeckiska
Time	Ställa in klockslag	hh:mm
Year	Ställa in år	t.ex. 2017
Month	Ställa in månad	t.ex. juli
Day	Ställa in dag	t.ex. den 17:e.
Weekday	Ställa in veckodag	t.ex. måndag
Heating time limit	Maximal värmetsidsbegränsning	6/12/18/24 h
Heater Sensor Offset	Kalibrering aggregatgivare i °C	-10 till +10
Bench Sensor Offset	Kalibrering bänkgivare i °C	-10 till +10
Humidity Offset	Kalibrering fukt i %	-10 till +10
Maximum temperature	Fastställning av maximalt inställbar börtemperatur	40–110 °C
Bench sensor	Aktivera/inaktivera drift med två givare	On/off
Phase Alignment	Aktivera/inaktivera separat fasstyrning	On/off
Vaporizer	Aktivera eller inaktivera förångare eller frikoppla fristående drift	Off / Normal / Single
Foil sensor	Aktivera eller inaktivera filmgivare	Yes / No
Aux Mode	Dimma aux-ingång till 500 W Koppla aux-ingång till 3500 W	dimnable switchable
Mode RS1	Startläge fjärrstartsingång RS1 RS = Remote Start	Finnish / combi, user programs 1–5
Mode RS2	Startläge fjärrstartsingång RS2 RS = Remote Start	Finnish / combi, user programs 1–5
Remote enabling	Fjärrstart - frigivning	Internal/external
Drying time	Tid för det automatiska eftertorkningsprogrammet (80°C samt fläkt)	0–60 min
Preheat time vaporizer	Regleringsberoende föruppvärmningstid för förångaren (endast utan FTS2-givare)	0–20 min

<i>Menypunkt</i>	<i>Beskrivning</i>	<i>Inställningsalternativ</i>
Colorlight	Färginställningar Färgcykel Synkronisera trådlös DMX-överföring Individuella färginställningar för basfärgerna: röd, gul, grön, turkos, blå, violett, vit	<u>Färgmängd:</u> Röd: 0–100 % Grön: 0–100 % Blå: 0–100 % Vit: 0–100 %
- Gradient	Konfigurera färgcyklerna 1–4 Aktivera/inaktivera enskilda basfärger i färgcykeln Det är inte möjligt att ändra färgcyklernas ordningsföljd	Röd: På/av Gul: På/av Grön: På/av Turkos: På/av Blå: På/av Violett: På/av Vit: På/Av
- Duration	Inställning av färgtiden för enskilda färger	[Sec]
- Transition time	Inställning av övergångstiden mellan färgerna	[Sec]
- Synchronize	Synkronisera DMX-kanal (för överföringsväg)	Kanal: 0–512
SW version	Visning av programversion	
HW version	Visning av maskinvaruversion	
Cycles	Visning av antalet kopplingscykler för relä	
Buzzer	Aktivera/inaktivera ljudsignal	On/off
Button sounds	Aktivera/inaktivera knappljud	On/off
Secure Pairing Music	Bekräftelse av inloggning krävs	On/off
Secure Pairing App	Bekräftelse av inloggning krävs	On/off
Bluetooth PIN		
Bluetooth ID		
Delete paired devices	Återställning av alla anslutna enheter	Start
Factory reset	Återställning till fabriksinställningar	Start
Exit	Alla inställningar sparas och Teknikermenyn lämnas	Start

10. Användning

Beakta ”8. Kontrollelement” på sidan 32.

10.1. Slå på belysning (rengöringsbelysning)

Belysningen i bastun kan aktiveras/stängas av på styrenheten oberoende av På/Av-knappen [2].

- Tryck på belysningsknappen [3] för att slå på och stänga av belysningen på styrenheten.

10.2. Slå på styrenheten



VARNING!

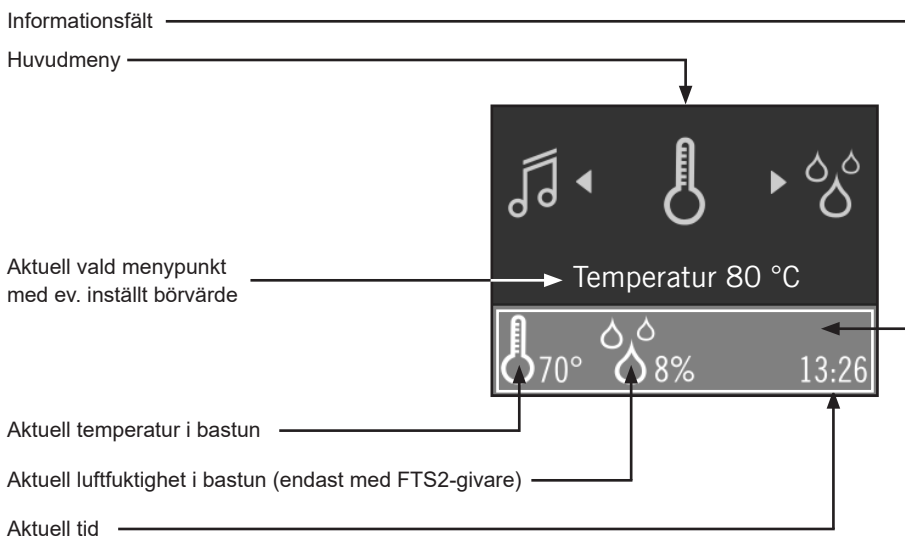
Brandrisk

Brännbara föremål som ligger på det varma bastuaggregatet kan antändas och orsaka eldsvåda.

- Lägg ALDRIG brännbara föremål på bastuaggregatet.
- Kontrollera att det INTE finns några brännbara föremål på bastuaggregatet innan bastustyrenheten slås på.

- Tryck på På/Av-knappen [41], för att aktivera styrenheten.
 - ▶ Menypunkten ”Användarprogram” visas som standard när displayen startas.

Visningselement:





10.3. Bastudrift

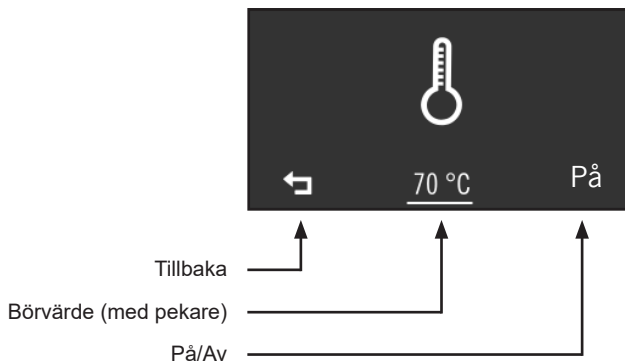
Starta bastudriften

1. Välj temperatursymbolen med vridväljaren [1]. Tryck sedan kort på den för att bekräfta.
 - ▶ Undermenyn "Temperatur" öppnas och på displayen visas ett understruket inställt börvärde för temperaturen.
2. Tryck på vridväljaren för att ändra värdet.
 - ▶ Värdet visas nu mot grön bakgrund och kan ändras.
 - ▶ Tryck en gång till på vridväljaren för att bekräfta inställningen.
3. Ställ pekaren (understruken) åt höger på "På" och tryck kort på vridväljaren.
 - ▶ Bastuaggregatet slås på och påbörjar uppvärmningen.
 - ▶ Temperatursymbolens färg i informationsfältet växlar till rött.
 - ▶ Menypunkten "Temperatur" går bort av sig själv.

Stänga av bastudriften

4. Upprepa punkterna 1. och 3. för att stänga av bastuaggregatet.
 - ▶ I stället för "På" visas nu "Av".
 - ▶ Ställ pekaren på "Tillbaka-symbolen" till vänster och bekräfta med vridväljaren för att gå ifrån undermenyn.

Vy för undermenyn Temperatur





10.4. Kombidrift

Starta kombidriften

1. Välj temperatursymbolen med vridväljaren [1]. Tryck sedan kort på den för att bekräfta.
 - ▶ Undermenyn "Fukthalt" öppnas och på displayen visas ett understruket inställt börvärde för fukthalten.
2. Tryck på vridväljaren för att ändra värdet.
 - ▶ Värdet visas nu mot grön bakgrund och kan ändras.
 - ▶ Tryck en gång till på vridväljaren för att bekräfta inställningen.
3. Ställ pekaren (understruken) åt höger på "På" och tryck kort på vridväljaren.
 - ▶ Förångaren slås på och påbörjar uppvärmningen.
 - ▶ Fuktighetssymbolens färg i informationsfältet växlar till blått.
 - ▶ Menypunkten "Fukthalt" går bort av sig själv.

Stänga av kombidriften

4. Upprepa punkterna 1. och 3. för att stänga av förångaren.
 - ▶ I stället för "På" visas nu "Av".
 - ▶ Ställ pekaren på "Tillbaka-symbolen" till vänster och bekräfta med vridväljaren för att gå ifrån undermenyn.
 - ▶ Förångaren stängs av.

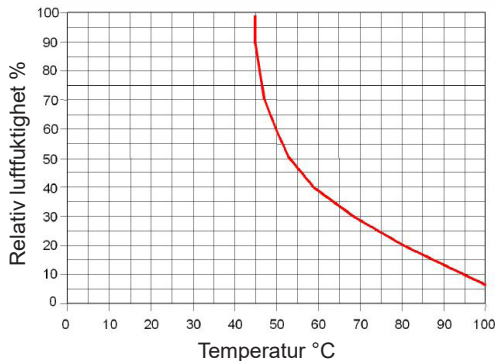


Förångaren går bara att starta om bastuaggregatet är påslaget. Max. inställningsbar fuktighet beror på bastutemperaturen. Ju högre bastutemperatur, desto lägre max. inställningsbart fuktvärde (se kurva).

Undantag: Fristående förångardrift är aktiverad (se "9.1. Teknikermeny" på sidan 33). Här kan man ta förångaren i drift även utan bastuaggregatet. Dock beror max. fukthalt på den aktuella bastutemperaturen.



Om bastustyrenheten används utan fukt-temperaturgivaren (FTS2) är cykeldrift aktiverad. Om bastutemperaturen är under 30° C är förångaren aktiverad under en förinställd tid (som standard 10 minuter). Därefter påbörjas normal cykeldrift.



EN 60335-2-53:2011; temperaturkurva/relativ luftfuktighet för korrekt användning.



10.5. Eftertorkningsprogram

Efter kombidriften startar eftertorkningsprogrammet automatiskt, för att förhindra att mögel och röta bildas i bastukabinen. Med fläkten igång värms bastun upp till 80 °C under 30 minuter.

- ▶ Tryck på vridväljaren **1** och vrid den samtidigt till höger för att stoppa eftertorkningsprogrammet.



För att förhindra att mögel och röta bildas bör eftertorkningsprogrammet **INTE** avbrytas.



10.6. Bastubelysning

Slå på bastubelysningen

1. Välj belysningssymbolen med vridväljaren **1**. Tryck sedan kort på den för att slå på bastubelysningen.
 - ▶ Bastubelysningen tänds.
 - ▶ På displayen visas "Belysning på"

Stänga av bastubelysningen

2. Tryck en gång till på vridväljaren **1** för att stänga av bastubelysningen.
 - ▶ Bastubelysningen släcks.
 - ▶ På displayen visas "Belysning av"



10.7. Fläkt

Slå på fläkten

3. Välj fläktsymbolen med vridväljaren 1. Tryck sedan kort på den för att slå på fläkten.
 - ▶ Fläkten slås på.
 - ▶ På displayen visas "Fläkt på"

Stänga av fläkten

4. Tryck en gång till på vridväljaren 1 för att stänga av fläkten.
 - ▶ Fläkten stängs av.
 - ▶ På displayen visas "Fläkt av"



10.8. Förinställd tid

Ställa in timer

Du kan ställa in timern i steg om en minut. Max. timer är 6 timmar.

1. Starta de funktioner som ska startas efter att den inställda tiden på timern löpt ut.
2. Välj symbolen för förinställd tid med vridväljaren 1. Tryck sedan kort på den för att öppna undermenyn.
 - ▶ Nu öppnas undermenyn "Förinställd tid" och i displayen är den senast förinställda tiden understruken.
3. Tryck på vridväljaren för att ändra värdet.
 - ▶ Värdet visas nu mot grön bakgrund och kan ändras.
 - ▶ Tiden visas i formatet hh:mm.
 - ▶ Tryck en gång till på vridväljaren för att bekräfta inställningen.
4. Ställ pekaren (understruken) åt höger på "start" och tryck kort på vridväljaren.
 - ▶ Alla aktiverade funktioner stängs av.
 - ▶ På displayen visas den kvarstående förinställda tiden.
 - ▶ Vridväljaren 1 börjar blinka långsamt.
 - ▶ När den förinställda tiden har gått ut startas de valda funktionerna.



Avbryta timerfunktion

Tryck på vridväljaren [1] och vrid den samtidigt till höger för att stoppa funktionen för förinställd tid.

► Funktionen för förinställd tid stoppas.



Manövreringen är av säkerhetsskäl spärrad så länge en förinställd tid är aktiv. Om man vill ändra inställningarna ska man stoppa funktionen för den förinställda tiden och sedan starta om den.



10.9. Körtid

Redan i bastustyrenhetens Teknikermenyn kan man definiera hur länge bastun maximalt ska vara i drift (t.ex. 6 timmar för privata bastur).




1. För att finjustera inställningen ska man välja symbolen för körtid med hjälp av vridväljaren [1]. Tryck sedan kort på den för att öppna undermenyn.
 - Nu öppnas undermenyn "Körtid" och i displayen är den senast förinställda tiden understruken.
2. Tryck på vridväljaren för att ändra värdet.
 - Värdet visas nu mot grön bakgrund och kan ändras.
 - Tiden visas i formatet hh:mm.
 - Tryck en gång till på vridväljaren för att bekräfta inställningen.
 - Det inställda värdet sparas permanent.
3. Ställ pekaren på "Tillbaka-symbolen" till vänster och bekräfta med vridväljaren för att gå ifrån undermenyn.

10.10. EKO-läge

Med Eko-funktion kan du spara energi mellan bastubaden. När Eco-funktionen är aktiverad körs de anslutna apparaterna med reducerad effekt. Du kan välja en 20-, 40- eller 60-minuters paustid.

Bastuaggregatet och förångaren slås på igen innan slutet av pausen. Det innebär att börstemperaturen och den inställda fukthalten har uppnåtts igen när paustiden löpt ut.

Gör som följande för att aktivera Eco-funktionen:

1. Välj EKO-symbolen för förinställd tid med vridväljaren .
Tryck sedan kort på den för att öppna undermenyn.
 - ▶ Nu öppnas undermenyn "EKO-läge" och i displayen är den senast använda paustiden understruken.
2. Tryck på vridväljaren för att ändra paustiden.
 - ▶ Värdet visas nu mot grön bakgrund och kan ändras.
 - ▶ Tiden visas i minuter.
3. Man kan välja mellan tre olika paustider:
 - 20 minuters bastupaus.
 - 40 minuters bastupaus.
 - 60 minuters bastupaus.
 - ▶ Tryck en gång till på vridväljaren för att bekräfta inställningen.
4. Ställ pekaren (understruken) åt höger på "start" och tryck kort på vridväljaren.
 - ▶ Bastupausen startas.
 - ▶ På displayen visas den kvarstående paustiden.
 - ▶ Vridväljaren  börjar blinka långsamt.
5. Tryck på vridväljaren  och vrid den samtidigt till höger för att stoppa bastupausen.



10.11. Veckotimer

Med veckotimern kan man automatiskt starta och stänga av bastustyrenheten vid särskilda tider, veckodagar och med valfritt driftsätt. Dessutom kan man programmera upp till 14 av varandra oberoende tillkopplings-/ bortkopplingscykler. Samtidigt kan man använda manuell drift utan några begränsningar.

Följ de nedanstående stegen för att skapa ett vecko-timerprogram:

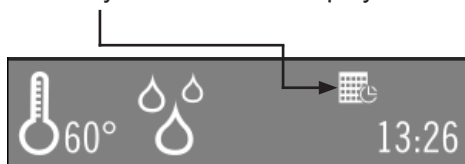
1. Välj veckotimer-symbolen för förinställd tid med vridväljaren 1.
Tryck sedan kort på den för att öppna undermenyn.
 - ▶ Nu öppnas undermenyn "Veckotimer" och på man ser följande meny punkter på displayen:
 - Timernr [1–14]
 - ▶ Man kan tilldela var och en av de olika tillkopplings-/bortkopplingscyklerna ett valfritt timernummer på mellan 1–14.
 - Veckodagar [må–sö]
 - ▶ Här ställer man in under vilka veckodagar det aktuella programmet ska utföras. Man kan välja bland alla dagar från måndag till och med söndag eller gruppvis från måndag till söndag, måndag till fredag eller lördag till söndag.
 - Starttid [00:00–23:59]
 - ▶ Här ställer man in tiden när programmet ska starta.
 - Sluttid [00:00–23:59]
 - ▶ Här ställer man in tiden när programmet ska stängas av.



Tiden mellan tillkoppling och bortkoppling begränsas här av den maximala körtiden som ställdes in i Teknikermenyn. Man kan eventuellt justera inställningen för den maximala körtiden i Teknikermenyn.



- Användarprogram [finskt, kombi, 1–5]
 - ▶ Här väljer man det driftsätt som ska startas. Man kan välja mellan finsk bastu (endast värme), kombibastu (värme + förångare) eller ett av de fem programmerbara användarprogrammen.
 - Aktivering [På/Av]
 - ▶ Här aktiverar eller inaktiverar man enskilda tillkopplings-/bortkopplingscykler.
2. Gå ifrån veckotimermenyn för att aktivera programmen:
- ▶ Veckotimersymbolen visas i displayens informationsfält.



- ▶ Vridväljaren [1] börjar blinka långsamt.



Om driftsättet Standby för fjärrstyrning startas inaktiveras alla veckotimer-program så länge man använder driftsättet. När man sedan avbryter driftsättet Standby för fjärrstyrning återaktiveras alla program som var aktiva före Standby för fjärrstyrning.



Huvudbrytaren [2] måste vara tillkopplad för att veckotimern ska fungera.



10.12. Barnlås

Bastustyrenheten har ett barnlås, så att barn inte ofrivilligt och utan uppsikt riskerar att slå på bastuaggregatet.

- Välj barnlås-symbolen med vridväljaren [1] för att aktivera barnlåset. Tryck sedan kort på den för att aktivera barnlåset.
 - ▶ Nu visas barnlås-symbolen på displayen och det är inte möjligt att manövrera bastustyrenheten.
- Tryck på vridväljaren [1] och vrid den samtidigt till höger för att inaktivera barnlåset.



10.13. Allt av

Välj Allt av-symbolen med vridväljaren [1] för att samtidigt stänga av alla tillkopplade funktioner och förbrukare (inklusive DMX-färgbelysning). Tryck sedan kort på den för att inaktivera alla funktioner. Veckotimer-inställningarna sparas.



Om man använder färgljusanordningen rekommenderar vi att man efter varje bastucykel använder Allt av-funktionen, eftersom det till och med kan hända att vissa DMX-färgljusanordningar fortsätter att köras efter att man har stängt av via huvudbrytaren [2].



10.14. Användarprogram

Med användarprogrammen kan man lagra och öppna bastuinställningar. 5 förinställda användarprogram, som kan ändras av användaren, står till förfogande.

Inställningar av följande funktioner lagras i användarprogrammen:

- Temperatur
- Fukt
- Extrautgång
- Belysning
- Fläkt
- Färgljus

Förinställda användarprogram:

Följande användarprogram har redan fördefinierats:

Användarprogram	Temperatur °C	Fukthalt* %	Belysning	AUX
1	90	0	På	Av
2	70	0	På	Av
3	50	60	På	Av
4	60	35	På	Av
5	0	0	På	7

* endast vid aktiv förångare



Öppna användarprogram:

3. Välj användarprogram-symbolen för förinställd tid med vridväljaren 1. Tryck sedan kort på den för att öppna undermenyn.
 - ▶ Nu öppnas undermenyn "Användarprogram" och i displayen är det senast använda användarprogrammet understruket.
4. Tryck en gång till på vridväljaren för att använda ett annat användarprogram.
 - ▶ Värdet visas nu mot grön bakgrund och kan ändras.
 - ▶ Man kan välja mellan fem användarprogram [1–5]
 - ▶ Tryck en gång till på vridväljaren för att bekräfta inställningen.
5. Ställ pekaren (understruken) åt höger på "start" och tryck kort på vridväljaren.
 - ▶ Användarprogrammets startas.



Skapa egna användarprogram:

Du kan skapa användarprogram som är anpassade efter dina önskemål. När detta görs skrivs ett förinställt användarprogram över. Gör på följande sätt:

1. Starta alla funktioner som ska startas med användarprogrammet.
2. Välj användarprogram-symbolen för förinställd tid med vridväljaren 1. Tryck sedan kort på den för att öppna undermenyn.
3. Ställ pekaren (understruken) åt vänster på "Spara" och tryck kort på vridväljaren.
 - ▶ Inställningarna sparades i det valda användarprogrammet.
 - ▶ Använd Allt av-funktionen för att stänga av användarprogram.




10.15. Extrautgång

På bastustyrenhetens extrautgång kan t.ex. infraröda lampor eller infraröda värmeplattor anslutas.

Intensitetsreglering vid aktiverad regleringsfunktion

Om regleringsfunktionen på extrautgången är aktiverad kan du ställa in extraapparatus effekt i steg mellan 1 och 7. 7 innebär max. effekt.

1. Välj extrautgång-symbolen med vridväljaren . Tryck sedan kort på den för att bekräfta.
 - ▶ Undermenyn "Extrautgång" öppnas och på displayen visas ett understruket inställt effektvärde för extrautgången.
2. Tryck på vridväljaren för att ändra värdet.
 - ▶ Värdet visas nu mot grön bakgrund och kan ändras.
 - ▶ Tryck en gång till på vridväljaren för att bekräfta inställningen.
3. Ställ pekaren (understruken) åt höger på "På" och tryck kort på vridväljaren.
 - ▶ Extrautgången aktiveras.
 - ▶ Extrautgång-symbolen visas i displayens informationsfält.



Stänga av extrautgången

4. Upprepa punkterna 1. och 3. för att stänga av extrautgången.
 - ▶ I stället för "På" visas nu "Av".
 - ▶ Ställ pekaren på "Tillbaka-symbolen" till vänster och bekräfta med vridväljaren för att gå ifrån undermenyn.



Intensitetsreglering vid avstängd regleringsfunktion

När regleringsfunktionen på extrautgången är avstängd kan extraapparatens endast slås på och stängas av. Apparaten körs alltid på full effekt.

- Välj extrautgång-symbolen med rindväljaren **1**. Tryck sedan kort på den för att aktivera eller inaktivera extrautgången.
 - ▶ Extrautgång-symbolen visas i displayens informationsfält.

10.16. Aktivera standby för fjärrstyrning



Enligt EN 60335-2-53 måste bastustyrenheter manuellt ställas in på driftläget "Standby för fjärrstyrning" med hjälp av fjärrstartfunktion. Denna aktivering måste utföras på nytt efter varje fjärrstart och fjärrstopp.

Starta standby för fjärrstyrning:

- Välj fjärrstart-symbolen med rindväljaren **1**. Tryck sedan på denna för att starta driftsättet "Standby för fjärrstyrning".
 - ▶ Bastustyrenheten stänger av alla aktiverade funktioner och fjärrstartsymbolen visas på displayen.
 - ▶ Bastustyrenheten är nu redo för att kunna startas och stoppas via fjärrstartsignal. I det här läget är det inte möjligt att manövrera bastustyrenheten manuellt.
 - ▶ Efter fjärrstart eller fjärrstopp slocknar indikeringen fjärrstartsymbolen. Driftsättet måste därefter aktiveras på nytt.

Stoppa standby för fjärrstyrning:

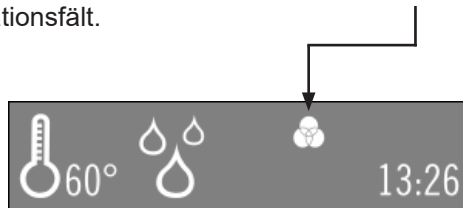
- Tryck på rindväljaren **1** och vrid den samtidigt till höger för att inaktivera standby för fjärrstyrning.



10.17. Färgljus

Starta färgljus:

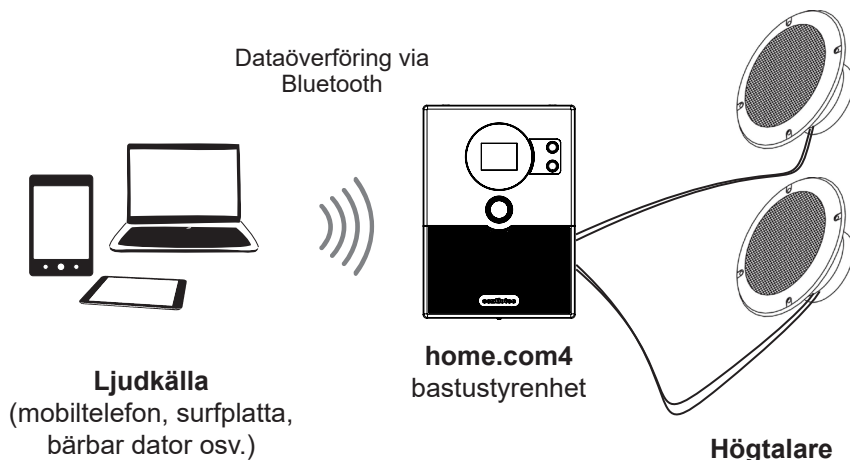
- Välj färgljus-symbolen med vridväljaren [1]. Tryck sedan kort på den för att öppna undermenyn.
 - ▶ Nu öppnas undermenyn "Färgljus" och på den ser man följande meny punkter på displayen:
- Ljusgrupp [1–4]
 - ▶ Det är möjligt att konfigurera och använda fyra ljusgrupper med olika inställningar. Med ljusgrupp 1 tänds till exempel den bakre bänkbelysningen och med ljusgrupp 2 takets färgbelysning osv.
- Belysningsläge
 - ▶ Här väljer man färg eller färgcykel för den valda ljusgruppen.
- Styrka [0–100 %]
 - ▶ Här väljer man styrka för den valda ljusgruppen.
- Status [På/Av]
 - ▶ Här aktiverar eller inaktiverar man den valda ljusgruppen.
 - ▶ När en ljusgrupp är aktiverad visas färgljus-symbolen i displayens informationsfält.



Använd helst Allt av-funktionen för att stänga av alla färgljusgrupper.

10.18. Musik

Med hjälp av bastustyrenhetens musikspelare kan man lyssna på musik i bastun. Musiken överförs då via en Bluetooth-anslutning från en Bluetooth-kompatibel enhet (=ljudkällan) till bastustyrenheten. Alla Bluetooth-kompatibla enheter kan fungera som ljudkälla, till exempel de flesta mobiltelefoner, surfplattor, notebook-datorer osv. Förstärkaren är redan integrerad i bastustyrenheten.



Upprätta första anslutningen (koppling, parkoppling)

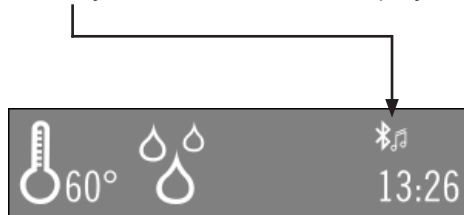
1. Slå på ljudkällan (mobiltelefonen, surfplattan osv.).
2. Slå på bastustyrenheten.
3. Aktivera Bluetooth-funktionen på ljudkällan.
 - ▶ De flesta enheter söker automatiskt efter andra Bluetooth-enheter i närheten och visar dessa.
 - ▶ Bastustyrenheten visas på ljudkällan med beteckningen "home.com4 XXXX".
 - ▶ XXXX är ett bastustyrenhetsberoende identifikationsnummer (t.ex. F39D)
 - ▶ Om man behöver ange ett lösenord anger man "0000".



Om ljudkällan inte söker automatiskt efter Bluetooth-enheter i omgivningen, påbörja sökningen manuellt, t.ex. genom att välja funktionen "Söka efter enheter" eller en funktion med liknande namn.

4. Välj "home.com4" ur listan som visas på ljudkällan.

- ▶ Den första Bluetooth-anslutningen mellan ljudkällan och bastustyrenheten upprättas (= koppling/parkoppling).
- ▶ wave.com4 sound är anslutet och klart att användas när Bluetooth-symbolen framträder i displayens informationsfält.



5. Spela upp musik med ljudspelaren på din ljudkälla.

- ▶ Musiken spelas upp i de högtalare som anslutits till bastustyrenheten.



Prata i telefon under musikuppspelning

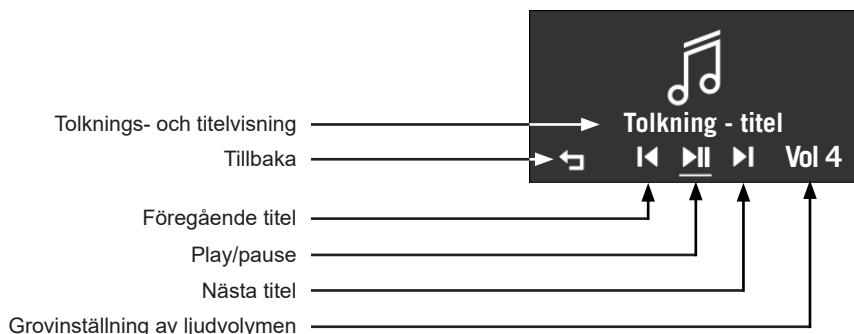
Om du ringer upp ett nummer eller tar emot ett samtal avbryts musikuppspelningen automatiskt och telefonsamtalet kan påbörjas.

Eftersom bastustyrenheten inte har någon mikrofon måste du ställa om ljudåtergivningen till din mobiltelefon. För information om detta, läs anvisningarna i apparatens bruksanvisning.



Manövrera musik via bastystyrenheten:

- Välj musik-symbolen med vridväljaren [1]. Tryck sedan kort på den för att öppna undermenyn.
 - ▶ Nu öppnas menyn "Musik" och de nedanstående manöverfälten visas på displayen:
 - Med **artist- och titelvisningen** visas information om det musikstycke som spelas. Om man inte har kopplat någon ljudkälla via Bluetooth visas här "ingen koppling".
 - Välj **Tillbaka** för att lämna musikmenyn. Ett musikstycke som håller på att spelas upp fortsätter att spelas i bakgrunden.
 - Välj **Föregående titel** för att hoppa tillbaka en titel i spellistan.
 - Tryck på **Play/Pause** för att starta eller pausa uppspelningen.
 - Välj **Nästa** för att hoppa framåt en titel i spellistan.
 - **Ljudstyrkans** grovinställning kan ställas in i fyra nivåer med bastystyrenheten. Fininställningen görs på ljudkällan.



10.19. BUSS-anslutning (RS485-uttag)

- Vid anslutning till appen MySentio använder du reglagen i appen.
- Vid anslutning till ditt hus-bussystem använder du kommandona som finns i RS485-gränssnittsdocumentationen.

11. Bluetooth-app

Det är möjligt att manövrera och styra alla huvudfunktionerna för bastustyrenheten "home.com4" via Bluetooth-appen.

Hämta appen "home.com4" från App-Store. Appen hämtas gratis för både iOS och Android enheter.

Beroende på enhet är räckvidden i område utan hinder 30 m. Detta gör att man både kan manövrera appen och strömma musik från en och samma enhet.

Aktivera Bluetooth på enheten för att ansluta till home.com4-styrenheten och starta "home.com4"-appen.

Nu genomförs en automatisk sökning efter lediga "home.com4"-enheter.



home.com4 Icon



Apple/iOS



Android



WARNING!

Brandrisk

Appen får endast användas när man befinner sig inom synhåll för bastuaggregatet och kan säkerställa att det INTE ligger några brännbara föremål på bastuaggregatet!

SV

11.1. Secure Pairing Bluetooth

För att förhindra obehörig åtkomst via Bluetooth kan funktionerna i Teknikermenyn (sidan 35) aktiveras separat.

När funktionen "Secure Pairing App" och/eller "Secure Pairing Music" har aktiverats måste man kvittera (trycka på reglaget) på styrenheten i samband med den första förbindelsen. Då visas en uppmaning på styrenhetens display. Om förbindelsen har kvitterats upprättas förbindelsen samtidigt som enhetens identitet sparas permanent i styrenheten. Med andra ord behöver man inte kvittera igen när man använder den här enheten.

Vid behov kan man ta bort alla sparade anslutningar/enheter i Teknikermenyn under punkten "Delete Paired Devices".

12. Rengöring och underhåll

12.1. Rengöring

VARNING!

Skador på enheten

Bastustyrenheten är skyddad mot stänkvatten, men apparaten kan skadas vid direkt kontakt med vatten.

- Doppa **ALDRIG** apparaten i vatten.
 - Håll **ALDRIG** vatten över apparaten.
 - Rengör inte apparaten med för mycket vatten.
-

1. Doppa en trasa i mild tvållösning.
2. Vrid ur trasan ordentligt.
3. Torka försiktigt av bastustyrenhetens hölje.

12.2. Underhåll

Bastustyrenheten är underhållsfri.

13. Avfallshantering



- Ta hand om förpackningsmaterialet enligt gällande bestämmelser.
- Enheterna innehåller både återanvändbart material och skadliga ämnen. Släng inte en uttjänt produkt i hushållssoporna, utan lämna den till återvinning enligt gällande bestämmelser.


14. Problemlösning



14.1. Felmeddelanden

Bastustyrenheten är utrustad med diagnosmjukvara som kontrollerar systemet vid start och under drift. När diagnosmjukvaran registrerar ett fel stänger bastustyrenheten av bastuaggregatet.

På displayen visas fel som felnummer. Dessutom hör man en återkommande varningssignal.

Stäng av bastustyrenheten med På/Av-knappen  och åtgärda felet innan bastustyrenheten slås på igen.

I tabellen på nästa sida beskrivs möjliga fel och deras orsaker. Vid behov, informera kundtjänsten om felnumret.

Om det uppstår flera fel samtidigt skiljs felnumren åt med en *.

14.2. Indikering för vattenbrist



I kombidrift har bastustyrenheten en automatisk avstängning för vattenbrist, såvida kombiaggregatet understöder detta.

Om förångarens vattentank är tom indikeras detta med hjälp av en återkommande varningssignal, fuktighetssymbolen och texten ”**Fyll på vatten**” på displayen. Samtidigt stängs förångaren av.

- Fyll på vatten i förångarens vattenbehållare.
 - ▶ Efter en kort tid slocknar varningen och förångaren börjar att värma igen.



Det kan gå några sekunder från det att förångaren fylls på till dessa att varningen slocknar eftersom detekteringen sker via temperaturbrytaren i förångaren.

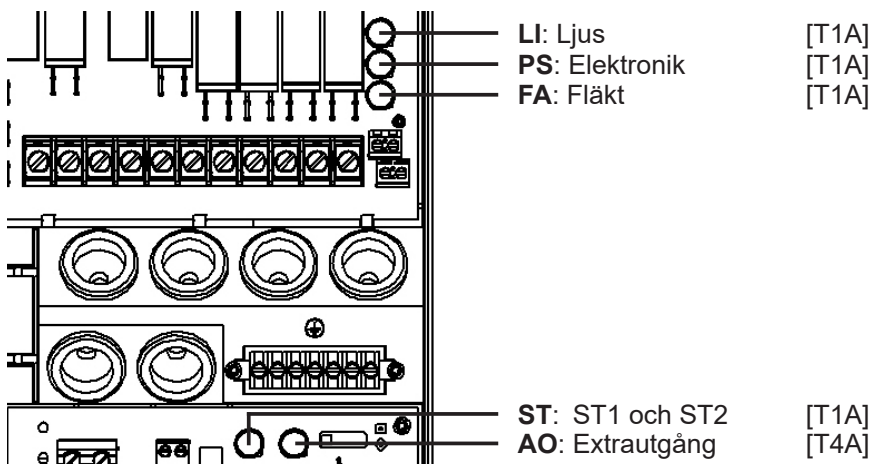
Fel	Beskrivning	Orsak/åtgärd
*01	Säkerhetsavstängning	Ett föremål ligger på aggregatet. Ta bort föremålet innan aggregatet tas i drift igen. Om ingen säkerhetsavstängning har monterats, se "5.7. Säkerhetsavstängning" på sidan 23.
*02	Övertemperaturskydd	Den maximala temperaturen på 139 °C ovanför aggregatet överskreds. Kontrollera övertemperaturskyddet (STB).
*04F1	Fel på aggregatgivaren	Defekt aggregatgivare, dålig kontakt eller kortslutning. Kontrollera aggregatgivaren (F1).
*05	Fel på filmgivaren	Defekt filmgivare, dålig kontakt eller kortslutning. Kontrollera filmgivaren (FF).
*06F2	Fel på bänkgivaren	Defekt bänkgivare, dålig kontakt eller kortslutning. Kontrollera bänkgivaren (F2).
*07	Fel på fuktgivaren	Defekt fuktgivare, dålig kontakt eller kortslutning. Kontrollera fuktgivaren (F2S2).
*08	Filmgivare- övertemperatur	Max. folietemperatur på 100 °C har överskridits. Stäng av extrautgången.

Övriga fel	Orsak/åtgärd
<p>Ingen funktion</p> <p>Det var inte möjligt att öppna börtemperaturen</p>	<p>Kontrollera till-ledning L1 och säkring PS.</p> <ul style="list-style-type: none"> ● Bankgivaren i Teknikermeny är inte aktiverad (om sådan finns) ● För liten aggregat effekt/för stor bastuvolyum ● Kontrollera till- och frånluft ● Kontrollera effektförbrukningen för U, V och W.
<p>Färgljuset fortsätter att köras fastän styrningen är bortkopplad</p>	<p>Använd "Allt av"-funktionen för att stänga av färgljuset.</p>
<p>Det går inte att dimma extrautgången</p>	<p>Aktivera dimningsfunktionen i Teknikermeny (dimmbare)</p>
<p>Driftsättet stängs av utan synlig orsak</p>	<p>Kontrollera inställningen av körtiden</p>
<p>Fjärrstarten reagerar inte</p>	<ul style="list-style-type: none"> ● Styrningen måste vara i driftsättet "Standby för fjärrstyrning" (se "10.16. Aktivera standby för fjärrstyrning" på sidan 48) ● Kontrollera kabeldragningen för RS1 och RS2.
<p>Tiden börjar alltid från 00:00</p>	<p>Tomt batteri (se "Batteri" på sidan 58)</p>

14.3. Säkringar

I bastystyrenhetens anslutningsområde sitter säkringar för belysning, fläkt, effektförstärkning, extrautgång och elektronik.

Det rör sig här om tröga mikrosäkringar. Dessa kan beställas med artikelnummer PRO-FUSE. För att byta säkringen, dra ut säkringsinsatsen rakt ut och sätt i den nya säkringen.



14.4. Batteri

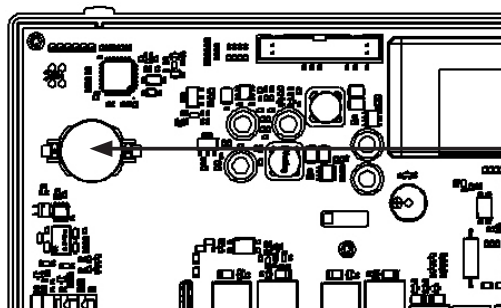
Det sitter ett batteri i basmodulen som förhindrar att tids- och datuminställningarna går förlorade vid ett strömavbrott. Om klockan börjar visa fel tid ska man byta ut batteriet.



VARNING!

Elchock

Innan man öppnar skyddshöljet ska man bryta strömmen till bastystyrenhetens samtliga poler och säkra den mot återinkoppling.



Batteri: CR 2032

15. Tekniska data

Omgivningsförhållanden

Förvaringstemperatur:	-25 °C till +70 °C
Omgivningstemperatur:	-10 °C till +40 °C
Luftfuktighet:	Max. 95 %

Bastustyrenhet

Mått (B x H x D):	210 x 294 x 53
Brytspänning/trefas 3N:	400 V AC
Frekvens:	50 Hz
Effektförbrukning standby:	8 W
Bryteffekt/värmeapparat:	3 x 3,5 kW
Brytström per fas/värmeapparat:	16 A
Bryteffekt/förångare:	3,5 kW
Brytström/förångare:	16 A
Bryteffekt/extrautgång (reglerbar)*	500 W
Bryteffekt/extrautgång (brytbar)*	3,5 W
Brytström/extrautgång*:	16 A
Märkspänning:	230 V
Skyddsklass (stänkvattenskyddad):	IPX4
Anslutning till elnätet som fast anslutning	

Belysning

Bryteffekt:	100 W
Säkring:	1 A T

Fläkt

Bryteffekt:	100 W
Säkring:	1 A T

Inställningsområde

Temperatur:	30 °C till 110 °C
Fuktighet:	0 % till 100 %

Max. inställningsbar fuktighet beror på bastutemperaturen.
Ju högre bastutemperatur, desto lägre max. inställningsbart fuktvärde.

Termisk säkerhet

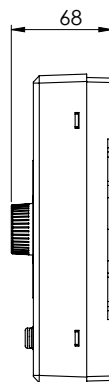
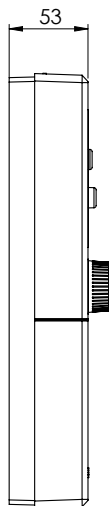
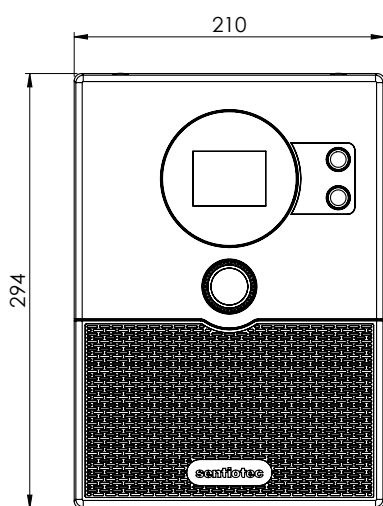
Aggregatgivare med övertemperaturskydd (139 °C avstängningstemperatur)
 Automatisk tidsgräns för uppvärmning kan ställas in (6 h, 12 h, 18 h, 24 h)*
 Drift med en eller två givare

Anslutningskablar

Elkabel:	Min. 5 x 2,5 mm ²
Ledning till aggregatet (temperaturbeständig upp till 150 °C):	Min. 2,5 mm ²
Ledningar till givare (temperaturbeständiga upp till 150 °C):	Min. 0,5 mm ²
Belysningskabel:	Min. 1,5 mm ²
Fläktledning:	Min. 1,5 mm ²

Förstärkt modul

Förstärkarens effekt (@ 4 Ω):	2 x 3 W
Högtalarkapacitet:	~ 25 W
Högtalare impedans:	4 Ω eller 8 Ω
Bluetoothprofil:	Bluetooth 4.0 Class 2
Bluetooth räckvidd:	20–30 m
DMX-profil:	DMX-512-A

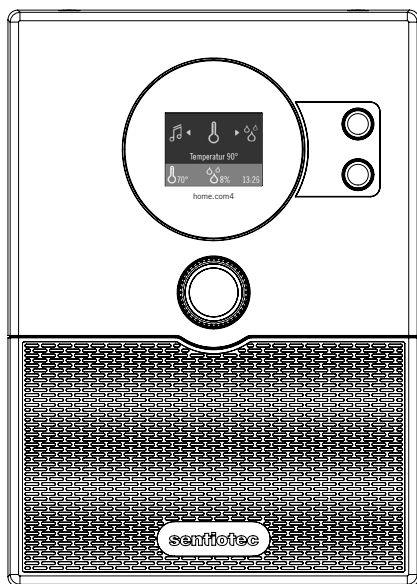


Saunaohjain

home.com4

RS485-liitännällä

ASENNUS- JA KÄYTTÖOHJEET
Suomi



FI

home.com4 BLACK RS485
home.com4 WHITE RS485

1-052-984 / HC4-B-RS485
1-052-985 / HC4-W-RS485

Sisällysluettelo

1. Sananen näistä ohjeista	5
2. Tärkeitä ohjeita turvallisuutesi varmistamiseksi	6
2.1. Käyttötarkoitus	6
2.2. Turvaohjeita asentajalle	7
2.3. Turvaohjeita käyttäjälle	8
3. Tuotekuvaus	9
3.1. Toimituskokonaisuus	9
3.2. Valinnaiset lisätarvikkeet	9
3.3. Tuotteen toiminnot	9
3.4. Saunan käyttötavat	11
3.5. Anturikäyttötavat	11
4. Asennus	13
4.1. Ohjainlaitteen asennus	13
4.2. Johdinten läpiviennit	16
4.3. Ylikuumenemissulakkeella varustetun kiuasanturin F1 asentaminen	17
4.4. Laudeanturin F2 asentaminen (valinnainen)	18
4.5. Kosteus-lämpötila-anturin FTS2 asentaminen (valinnainen)	18
4.6. Kalvoanturin asentaminen (valinnainen)	18
5. Sähköliitäntä	19
5.1. Syöttöjohto, kiuas ja höyrystin	21
5.2. Saunahuoneen valo	21
5.3. Tuuletin	21
5.4. Kiuasanturi F1	22
5.5. Laudeanturi F2 (valinnainen)	22
5.6. Kosteus-lämpötila-anturi FTS2 (valinnainen)	22
5.7. Turvakatkaisin	23
5.8. Lisälähtö	23

5.9.	Kalvoanturi (valinnainen).....	23
5.10.	Teholaajennus (valinnainen).....	24
5.11.	Etäkäynnistys (valinnainen).....	24
5.12.	Kaiutinlähtö (valinnainen).....	24
5.13.	DMX-lähtö (valinnainen).....	25
5.14.	Väyläliitäntä (RS485-liitäntä).....	26
5.15.	Asennuksen viimeistely.....	26
6.	Tarkastukset	27
7.	Liitäntäkaavio	28
7.1.	230 V / 400 V -perusmoduulin kytkentäkaavio.....	28
7.2.	Pienjännitteen perusmoduulin kytkentäkaavio.....	29
7.3.	230 V -laajennusmoduulin kytkentäkaavio.....	30
7.4.	Pienjännitelajennusmoduulin kytkentäkaavio.....	31
8.	Käyttölaitteet	32
9.	Käyttöönotto	33
9.1.	Teknikkovalikko.....	33
10.	Käyttö	36
10.1.	Valon sytyttäminen (puhdistusvalaistus).....	36
10.2.	Ohjainlaitteen kytkeminen päälle.....	36
10.3.	Saunakäyttö.....	37
10.4.	Yhdistelmäkäyttö.....	38
10.5.	Jälkikuivausohjelma.....	39
10.6.	Saunahuoneen valo.....	39
10.7.	Tuuletin.....	40
10.8.	Ajastin.....	40

10.9.	Kestoaika	41
10.10.	ECO-tila.....	42
10.11.	Viikkoajastin.....	43
10.12.	Lapsilukko.....	44
10.13.	Kaikki pois.....	45
10.14.	Käyttäjäohjelmat.....	45
10.15.	Lisälähtö.....	47
10.16.	Valmiustilan aktivoiminen etäkäynnistystä varten.....	48
10.17.	Värivalo.....	49
10.18.	Musiikki.....	50
10.19.	Väyläliitäntä (RS485-liitäntä).....	52
11.	Bluetooth-sovellus	53
11.1.	Suojattu Bluetooth-pariliitoksen muodostus.....	53
12.	Puhdistus ja huolto	54
12.1.	Puhdistus.....	54
12.2.	Huolto.....	54
13.	Hävittäminen	54
14.	Ongelmanratkaisu	55
14.1.	Virheilmoitukset.....	55
14.2.	Vedenpuutteen näyttö.....	55
14.4.	Paristo.....	58
14.3.	Sulakkeet.....	58
15.	Tekniset tiedot	59

1. Sananen näistä ohjeista

Lue nämä asennus- ja käyttöohjeet huolellisesti läpi ja säilytä niitä saunaohjaimen lähellä. Näin voit katsoa turvallisuuttasi sekä käyttöä koskevia tietoja milloin tahansa.



Asennus- ja käyttöohjeet saat myös Internet-sivujemme materiaalinla-
tausosiosta osoitteesta www.sentiotec.com/downloads.

Symbolit ja varoitukset

Näissä asennus- ja käyttöohjeissa annetaan varoitus ennen toimia, jotka muodostavat vaaratekijän. Näitä varoituksia on ehdottomasti noudatettava. Näin vältät esinevahingot ja loukkaantumiset, jotka pahimmassa tapauksessa voivat aiheuttaa jopa kuoleman.

Varoituksissa käytetään huomiosanoja, joiden merkitys on seuraava:



VAARA!

Jos et noudata tätä varoitusta, seurauksena on kuolema tai vakava loukkaantuminen.



VAROITUS!

Jos et noudata tätä varoitusta, seurauksena voi olla kuolema tai vakava loukkaantuminen.



VARO!

Jos et noudata tätä varoitusta, seurauksena voi olla lievä loukkaantuminen.

HUOMIO!

Tällä huomiosanalla varoitetaan esinevahingoista.

Muut symbolit



Tällä symbolilla merkitään vinkit ja hyödylliset ohjeet.

2. Tärkeitä ohjeita turvallisuutesi varmistamiseksi

Sarjan home.com4 saunaohjaimet on valmistettu tunnustettujen turvateknisten sääntöjen mukaisesti. Käytön yhteydessä voi silti ilmetä vaaroja. Noudata siksi seuraavia turvaohjeita ja yksittäisissä luvuissa annettuja erityisiä varoituksia. Noudata myös liitettyjen laitteiden turvaohjeita.

2.1. Käyttötarkoitus

Sarjan home.com4 saunaohjaimet on tarkoitettu ainoastaan toimintojen ohjaukseen ja säätelyyn teknisten tietojen mukaisesti.

Sarjan home.com4 saunaohjaimia saa käyttää ainoastaan sellaisen kiukaan ohjaamiseen ja säätelyyn, joka läpäisee standardin EN 60335-2-53 kohdan 19.101 mukaisen peittämissäädöksen. Jollei tämä kiuas täytä vaatimuksia, on tehtävä vastaavat turvallisuustoimenpiteet (esim. turvakatkaisu, katso 5.7 sivulla 23).

Sarjan home.com4 saunaohjaimia saa käyttää vain 3 lämmityspiirin ohjaamiseen ja säätelyyn. Lämmitysteho saa olla tällöin enintään 3,5 kW lämmityspiiriä kohti. Maksimihöyrystinteho on 3,5 kW. Lisälähdön maksimiteho on 3,5 kW.

Muunlaisen käytön katsotaan poikkeavan tuotteen käyttötarkoituksesta. Tuotteen käyttötarkoituksesta poikkeava käyttö voi johtaa tuotteen vaurioitumiseen, vakaviin vammoihin tai kuolemaan.

2.2. Turvaohjeita asentajalle

- Vain sähköalan ammattilainen tai vastaavan pätevyyden omaava henkilö saa suorittaa asennuksen.
- Saunaohjaimeen liittyviä töitä saa tehdä vain jännitteettömässä tilassa.
- Asiakkaan on järjestettävä ylijännitekategorian III mukainen kaikkinaapainen erotuslaite, joka takaa täyden katkaisun.
- Saunaohjain on asennettava saunahuoneen ulkopuolelle n. 1,70 m korkeuteen tai saunahuoneen valmistajan suositusten mukaisesti. Ympäristölämpötilan on oltava -10 °C :n ja 40 °C :n välillä.
- Kiuasanturi tulee kiinnittää siten, että sisään virtaava ilma ei vaikuta siihen.
- Kiukaan syöttökaapelin poikkipinta-alan täytyy olla vähintään $2,5\text{ mm}^2$. Kaapelin täytyy myös kestää enimmillään 150 °C :een lämpötiloja.
- Noudata myös sijoituspaikan paikallisia määräyksiä.
- Käänny oman turvallisuutesi vuoksi toimittajasi puoleen sellaisissa ongelmissa, joita ei käsitellä asennusohjeessa kyllin tarkasti.

2.3. Turvaohjeita käyttäjälle

- Alle 8-vuotiaat lapset eivät saa käyttää saunaohjainta.
- Yli 8-vuotiaat lapset, fyysisiltä, sensorisilta tai henkisiltä kyvyiltään rajoittuneet henkilöt sekä kokemattomat ja tietämättömät henkilöt saavat käyttää saunaohjainta seuraavin ehdoin:
 - jos he ovat valvonnan alaisina
 - jos heille on näytetty turvallinen käyttö ja he ymmärtävät vaarat, joita voi syntyä.
- Lapset eivät saa leikkiä saunaohjaimella.
- Alle 14-vuotiaat lapset saavat puhdistaa saunaohjainta vain, kun he ovat valvonnan alaisina.
- Jätä saunominen terveydellisistä syistä väliin, jos olet alkoholin, lääkkeiden tai huumeiden vaikutuksen alaisena.
- Ennen kuin kytket kiukaan päälle, varmista, että kiukaalla ei ole tulenarkoja esineitä.
- Ennen kuin kytket ajastintoiminnon tai etäkäynnistyksen valmiustilan päälle, varmista, että kiukaan päällä ei ole tulenarkoja esineitä.
- Ennen kuin kytket saunaohjaimen päälle, varmista, että infrapunasäteilijän päällä tai edessä ei ole tulenarkoja esineitä.
- Ennen kuin kytket ajastintoiminnon tai etäkäynnistyksen valmiustilan päälle, varmista, että infrapunasäteilijän päällä tai edessä ei ole tulenarkoja esineitä.
- Käännä oman turvallisuutesi vuoksi toimittajasi puoleen sellaisissa ongelmissa, joita ei käsitellä käyttöohjeessa kyllin tarkasti.

3. Tuotekuvaus

3.1. Toimituskokonaisuus

- Saunaohjaimet home.com4
- Kiuasanturi, jossa integroitu ylikuumenemissulake
- Anturinjohdot
- Asennusmateriaali
 - 4 x lastulevyruuvi 3 x 25 mm kupunkanta

3.2. Valinnaiset lisätarvikkeet

- Laudeanturi (1-009-231 / O-F2), anturijohtimet 1,5 m
- Kosteus-lämpötila-anturi (1-010-081 / O-FTS2), anturijohtimet 6 m
- Kalvoanturi (1-014-445 / P-ISX-FF), anturijohtimet 3 m
- Teholaajennus (1-008-779 / O-S2-18, 1-009-280 / O-S2-30)
- Turvakatkaisin (SFE-xxxxx)

3.3. Tuotteen toiminnot

Saunaohjaimissa home.com4 on seuraavat toiminnot:

- Yhdistelmäkiukaiden säätäminen lämmitystehoon 10,5 kW ja höyrystimen tehoon 3,5 kW saakka lämpötila-alueella 30 °C ... 110 °C ja kosteusalueella 0–100 %.
- Teholaajennuksen avulla maksimikytkentäteho voidaan suurentaa 10,5 kW:sta 18 kW:iin tai 30 kW:iin.
- Saunahuoneen valon kytkentä (enintään 100 W)
- Tuulettimen kytkentä (enintään 100 W)
- Ajastustoiminto (6 tuntiin asti)
- Käyttäjäohjelmat
Käyttäjäohjelmien ansiosta mieleiset sauna-asetukset on mahdollista tallentaa ja hakea uudelleen käyttöön. Käytettävissä on 5 esiasetettua käyttäjäohjelmaa, joita voidaan muuttaa käyttäjän haluamalla tavalla.
- Automaattinen lämmitysajan rajoitus
Maksimilämmitysajaksi voidaan asettaa enintään 6 tuntia, 12 tuntia, 18 tuntia tai 24 tuntia.

- Ylikuumenemissulake
Ylikuumenemissulake sijaitsee kiuasanturin anturirungossa. Jos kiuas lämmittää vian takia toivelämpötilan saavuttamisen jälkeen edelleen, ylikuumenemissulake kytkee kiukaan automaattisesti pois päältä, kun n. 139 °C:een lämpötila saavutetaan.
- Tosiaikakello ja viikkoajastin
- Jälkikuivausohjelma
Jälkikuivausohjelma kytkeytyy automaattisesti päälle yhdistelmäkäytön jälkeen, jotta saunahuoneeseen ei pääse muodostumaan hometta eikä lahoa. Toiminto lämmittää saunahuonetta 30 minuutin ajan 80 °C:een tuulettimen käydessä.
- Lisälähtö
Lisälähdön teho valinnaisesti joko himmennettävissä (500 W:iin asti) tai kytkettävissä (3,5 kW:iin asti).

Lisälähtöä ei ole varustettu ylikuumenemissulakkeella. Siksi lisälähtöön saa yhdistää ainoastaan itsessään vaarattomia laitteita.

- Jos lisälähtöön yhdistetään infrapunasäteilijöitä, näiden laitteiden pitää olla varustettu ylikuumenemissulakkeella.
- Jos lisälähtöön liitetään infrapunalämpölevyjä, näiden yhteydessä on käytettävä kalvoanturia 1-014-445 / P-ISX-FF. Tämä anturi on otettava käyttöön teknikkovalikossa (katso ”**9.1. Teknikkovalikko**” sivulla 33):
- 2 eri käyttötavan tai käyttäjäohjelman etäkäynnistystoiminto.
- Värivalo-ohjaus DMX:n avulla
 - Värin, kirkkauden, siirtymäajan ja keston säätö.
 - 4 värivaloryhmää käytettävissä toisistaan riippumattomasti.
- Musiikkitoistoon Bluetooth®
 - Sisäänrakennettu vahvistin
- Käyttö Bluetooth®-App-sovelluksella
 - Saatavissa iOS- ja Android-käyttöjärjestelmiin
- Väyläliitäntä
 - Liitäntä talon väyläjärjestelmään RS485-liitäntän kautta
 - Liitäntä MySentio Wifi -verkkoon

3.4. Saunan käyttötavat

Saunaohjain home.com4 mahdollistaa kaksi käyttötapaa: sauna- ja yhdistelmäkäytön. Jos höyrystintä ei liitetä, höyrystimen käytön valikkokohta voidaan häivyttää näkyvistä (katso ”9.1. Teknikkovalikko” sivulla 33).

Saunakäyttö

Saunakäytössä lämpö on kuivaa. Saunahuoneen lämpötila on korkea (80...100 °C). Kosteusarvot ovat vähäiset, enintään 10 %.

Yhdistelmäkäyttö

Yhdistelmäkäytössä on kiukaan lisäksi käytössä myös höyrystin. Saunahuoneen lämpötila on alhaisempi (n. 40...65 °C) kuin saunakäytössä, kun taas suhteellinen ilmankosteus on huomattavasti suurempi, 35 %...noin 70 %. Suurin asetettava ohjekosteus riippuu saunan lämpötilasta. Mitä korkeampi lämpötila, sitä vähäisempi on suurin asetettava kosteusarvo.

3.5. Anturikäyttötavat

Sarjan home.com4 saunaohjaimia voidaan käyttää yhden tai kahden anturin avulla. Toisena anturina voidaan käyttää lämpötila-anturia (laudeanturi F2) tai kosteus-lämpötila-anturia (FTS2).

Yksianturikäyttö (F1)

Suurin asetettava kosteusarvo riippuu yksianturikäytössä kiukaan yläpuolella vallitsevasta lämpötilasta, ja kosteus tahdistetaan. Saunaohjaimen näytössä näkyy ainoastaan kosteuden ohjearvo (suhteellinen ilmankosteus-%). Kun kosteus tahdistetaan, saunahuoneen todellinen kosteus riippuu saunahuoneen koosta ja höyrystimen tehosta, ja se voi poiketa asetetusta ohjearvosta.

Kaksianturikäyttö laudeanturilla (F2)

Laudeanturin avulla tapahtuvaa kaksianturikäyttöä varten asennetaan toinen lämpötila-anturi (laudeanturi) taaemman lauteen yläpuolelle. Saunaohjain näyttää tosi-lämpötilana laudeanturin mittaaman lämpötilan.

Kun kaksianturikäytössä käytetään laudeanturia, kosteus tahdistetaan. Saunaohjaimen näytössä näkyy ainoastaan kosteuden ohjearvo (suhteellinen ilmankosteus-%). Kun kosteus tahdistetaan, saunahuoneen todellinen kosteus riippuu saunahuoneen koosta ja höyrytimen tehosta, ja se voi poiketa asetetusta ohjearvosta.

Kaksianturikäyttö kosteus-lämpötila-anturilla (FTS2)

Kun kaksianturikäytössä käytetään kosteus-lämpötila-anturia, saunaohjain näyttää tosilämpötilana sen lämpötilan, jonka kosteus-lämpötila-anturi mittaa.

Kun kaksianturikäytössä käytetään kosteus-lämpötila-anturia, höyrytintä säädetään saunahuoneesta mitatun kosteuden mukaisesti. Saunaohjaimen näytössä näkyy saunahuoneen todellinen kosteus (suhteellinen ilmankosteus-%).

Jos kosteus-lämpötila-anturi liitetään, valikkokohtaa "Höyrystin" ei voi häivyttää näkyvistä.

4. Asennus

4.1. Ohjainlaitteen asennus

HUOMIO!**Laitteen vauriot**

Saunaohjain on roiskevesisuojattu, mutta laite voi kuitenkin vaurioitua joutues-
saan suoraan kosketukseen veden kanssa.

- Asenna saunaohjain kuivaan paikkaan, jossa ilmankosteus ei ylitä maksi-
miarvoa 95 %.

HUOMIO!**Häiriölähteet häiritsevät signaalinvälitystä**

- Vedä kaikki anturijohdot erillään muista verkkojohdoista ja ohjainjohdoista.
- Suojaa yksinkertaisesti eristetyt johdot putkella (kaksoiseristys).

Noudata saunaohjaimen asennuksessa seuraavia kohtia:

- Saunaohjain on asennettava saunahuoneen ulkopuolelle tai saunahuoneen
valmistajan suositusten mukaisesti.
- Ympäristölämpötilan on oltava -10 °C :n ja $+40\text{ °C}$:n välillä.
- Anturit saa liittää vain oheisilla anturijohdoilla, jotka kestävät lämpöä 150 °C :een
asti.



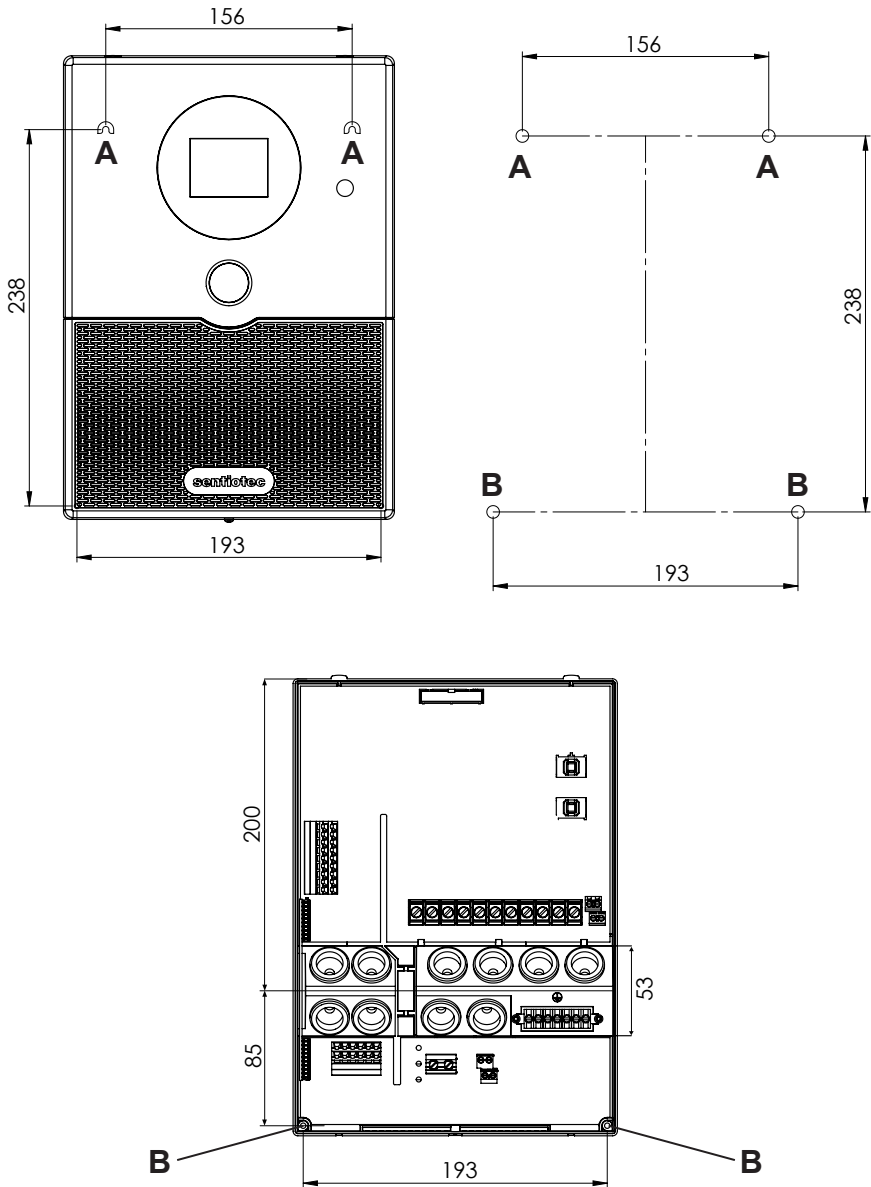
Anturijohtoja saa jatkaa ainoastaan seuraavin ehdoin:

- Käytetään silikonijohtoa, joka kestää 150 °C :n lämpötilaa.
- Johdon vähimmäispoikkipinta-ala on $0,5\text{ mm}^2$.
- Kiuasanturijohtojen pituus EI saa olla yli 10 m.

Saunaohjaimen asennus

Asenna saunaohjain tekemällä seuraavat työvaiheet:

1. Ruuvaa kaksi lastulevyruuvia (3 x 25 mm) saunan seinään n. 1,70 m:n kor-
keudelle siten, että niiden kannat jäävät 7 mm:n etäisyydelle seinäpinnasta.
Ruuvien pitää olla 156 mm:n etäisyydellä toisistaan (katso **Kuva 1**).

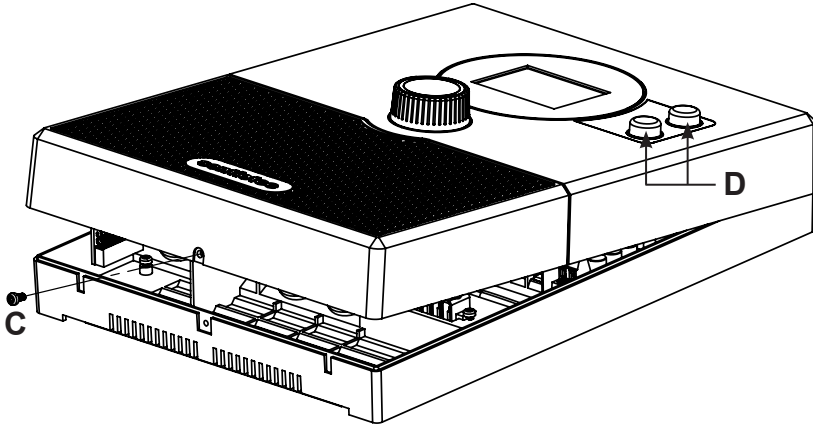


Kuva 1 Ripustimen paikka ja asennusreiät (mittayksikkö: mm)

- Ota koteloruuvi **C** pois ruuvimeisselillä ja nosta kotelon kansi irti alareunasta (katso **Kuva 2**).

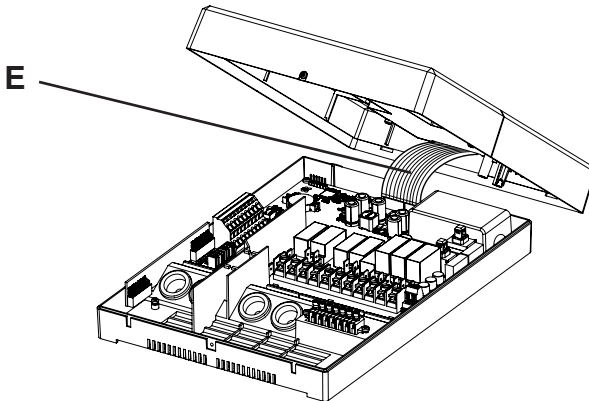
HUOMIO!

Kotelon kanta nostettaessa päälle/pois-kytkin **D** sekä valokytkin **D** irtoavat kiinnityksistään. Säilytä ne huolellisesti liittämistöiden ajan.



Kuva 2 Kotelon kannen irrottaminen

- Vedä lattajohtoa **E** varovasti sen irrottamiseksi liittimestä (**Kuva 3**).

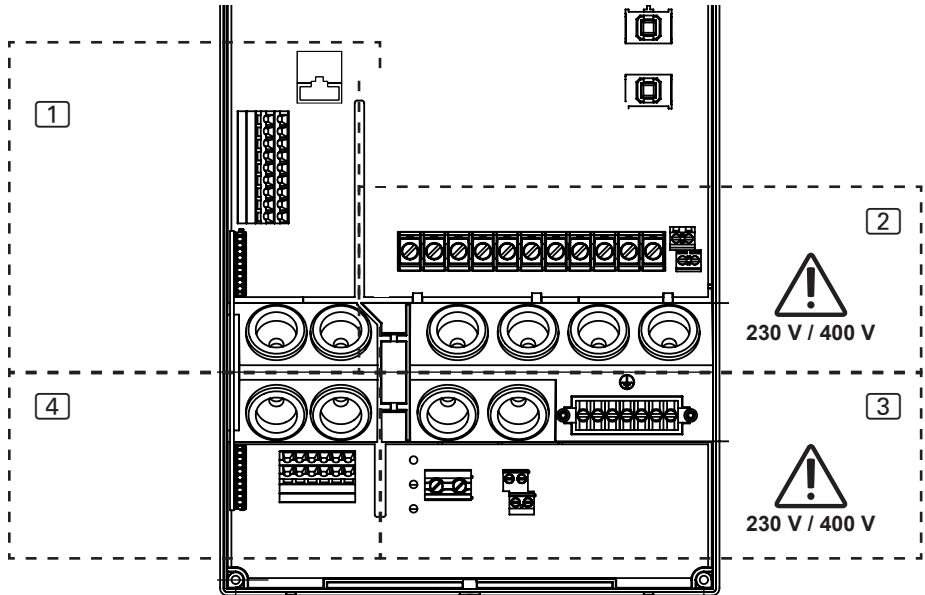


Kuva 3 Lattajohdon irrottaminen liittimestä

4. Ripusta saunaohjain ripustinten **A** avulla ristipääruuveihin, jotka äsken asensit (ks. **Kuva 1**).
5. Ruuvaa kaksi lastulevyruuvia (3 x 25 mm) alempiin kiinnitysreikiin **B** (katso **Kuva 1**).

4.2. Johdinten läpiviennit

Liitäntä-, syöttö- ja anturijohdot tulisi asentaa etukäteen saunahuoneen seinään ja vetää vastaavien läpivientien kautta saunaohjaimen.



Kuva 4 Liitäntäalueet

- 1** **Pienjännitteen perusmoduulin liitäntäalue:** Kiuasanturi (F1), laudeanturi (F2), kosteusanturi (FTS2), turvakatkaisu (OSG) ja väyläliitäntä.
- 2** **230 V / 400 V -perusmoduulin liitäntäalue:** Syöttöjohto, kiuasjohdin, valo ja tuuletin.

Laajennusmoduuli:

- 3** **230 V -liitäntäalue:** Lisälähtö ja teholaajennus.
- 4** **Pienjännitteen liitäntäalue:** Kaiutinjohdot, etäkäynnistys, kalvoanturi ja DMX.

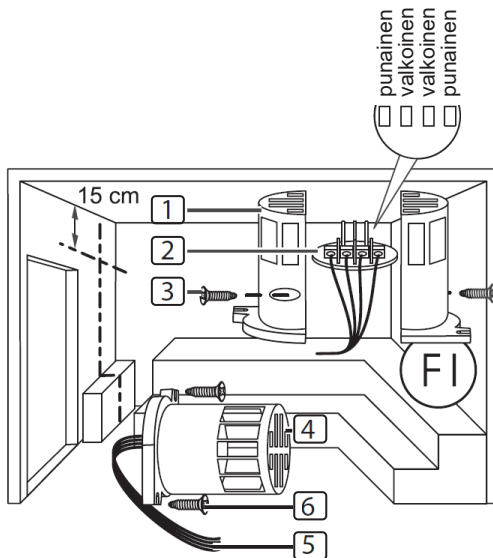
4.3. Ylikuumenemissulakkeella varustetun kiuasanturin F1 asentaminen

Noudata kiuasanturin asennuksessa seuraavia kohtia:

- Kiuasanturi on asennettava kiukaan takaseinämään keskikohdan yläpuolelle. Etäisyyttä saunahuoneen kattoon on oltava noin 15 cm.
- Kiuasanturi tulee kiinnittää siten, että sisään virtaava ilma ei vaikuta siihen.

Asenna kiuasanturi tekemällä seuraavat työvaiheet (ks. **Kuva 5**):

1. Vedä molemmat 2-napaiset kiuasanturijohdot saunahuoneen seinään kiuasanturin asennuspaikkaan ja kiinnitä kiuasanturijohdot johdonkiristimillä.
2. Vedä kiuasanturin kotelon puolikkaat **1** irti toisistaan.
3. Liitä kiuasanturijohdon **5** neljä liitintä kiuasanturiin kuten **Kuva 5** esittää.
4. Aseta liitintälevy **2** poikittain (kuten **Kuva 5** esittää) kiuasanturin kotelon puolikkaisiin.
5. Sulje kotelon puolikkaat, ruuvaa ne yhteen ne kahdella ristipääruuvilla **3** (9 mm) ja tarkista, onko kiuasanturi tiukasti kiinni.
6. Asenna kiuasanturi kiukaan takaseinään kahdella oheisella puuruuvilla **6** (16 mm).



- 1** kiuasanturin kotelon puolikkaat
- 2** liitintälevy
- 3** ristipääruuvit (9 mm)
- 4** kiuasanturi
- 5** kiuasanturin johdot
- 6** puuruuvit (16 mm)

Kuva 5 Kiuasanturin asentaminen

4.4. Laudeanturin F2 asentaminen (valinnainen)

Laudeanturi asennetaan saunahuoneen seinään takalauteen yläpuolelle. Etäisyyttä saunahuoneen kattoon on oltava noin 15 cm.

Asenna laudeanturi tekemällä seuraavat työvaiheet:

1. Vedä 2-napainen laudeanturijohto saunahuoneen seinään laudeanturin asennuspaikkaan ja kiinnitä laudeanturijohto johdonkirstimillä.
2. Vedä laudeanturin kotelon puolikkaat irti toisistaan.
3. Liitä laudeanturin kaksi liitintä liitäntälevyn kahteen keskimmaiseen liittimeen.
4. Aseta liitäntälevy poikittain laudeanturin kotelon puolikkaisiin.
5. Sulje kotelon puolikkaat ja ruuvaa ne yhteen ne kahdella ristipääruuvilla (9 mm).
6. Tarkista, onko laudeanturi tiukasti kiinni.
7. Asenna laudeanturi saunahuoneen seinään kahdella oheisella puuruuvilla (16 mm).

4.5. Kosteus-lämpötila-anturin FTS2 asentaminen (valinnainen)

Kosteus-lämpötila-anturi asennetaan saunahuoneen seinään takalauteen yläpuolelle. Etäisyyttä saunahuoneen kattoon on oltava noin 15 cm.

Asenna kosteus-lämpötila-anturi tekemällä seuraavat työvaiheet:

1. Vedä 5-napainen anturijohto saunahuoneen seinään kosteus-lämpötila-anturin asennuspaikkaan ja kiinnitä anturijohdot johdonkirstimillä.
2. Asenna kosteus-lämpötila-anturi saunahuoneen seinään kahdella oheisella puuruuvilla (16 mm).

4.6. Kalvoanturin asentaminen (valinnainen)

Jos lisälähtöön liitetään sentiotec-infrapunälämpölevyt täytyy käyttää kalvoanturia 1-014-445 / P-ISX-FF.

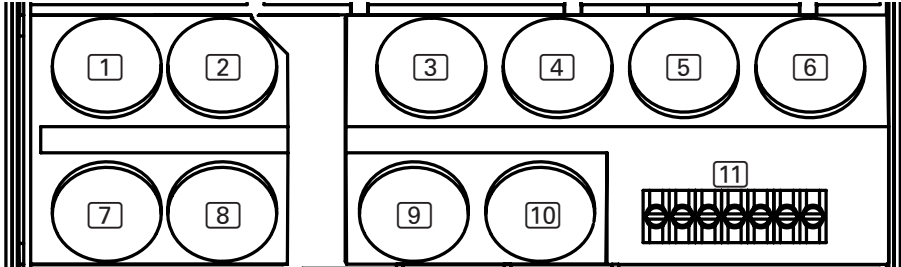
- Asentaessasi kalvoanturia noudata käyttöohjetta infrapunälämpölevyt.
- Kalvoanturin käyttö täytyy aktivoida teknikkovalikossa.

5. Sähköliitäntä

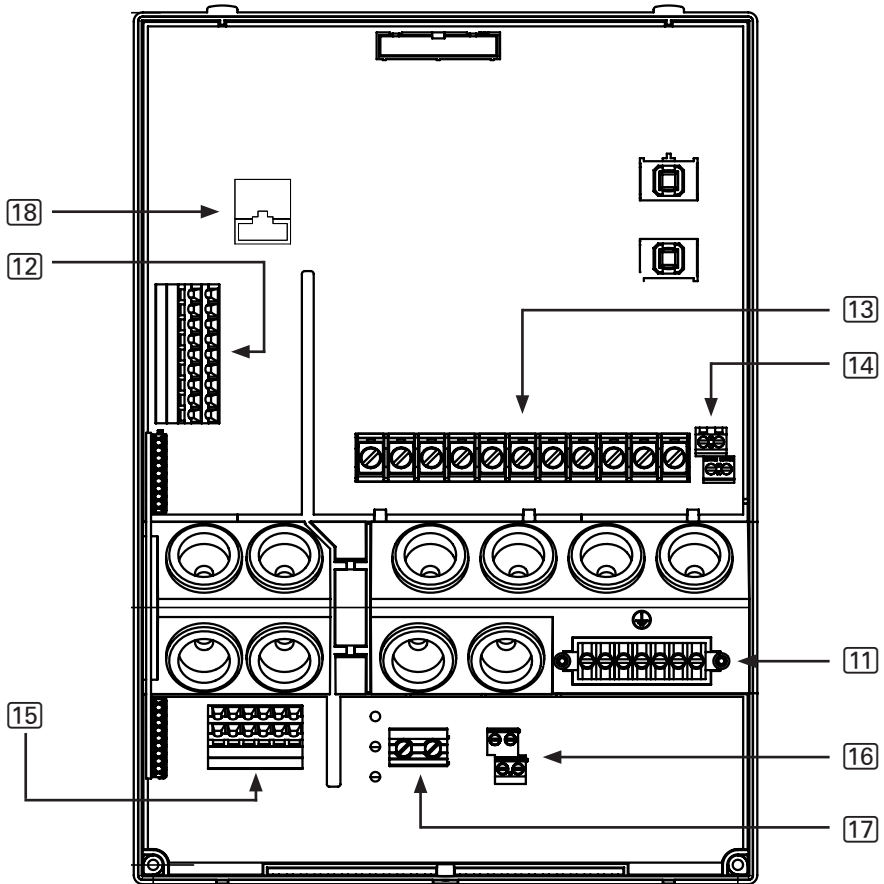
HUOMIO!

Laitteen vauriot

- Saunaohjainta saa käyttää vain 3 lämmityspiirin ohjaamiseen ja säätelyyn; kunkin lämmityspiirin lämmitysteho saa olla enintään 3,5 kW. Maksimihöyrystinteho on 3,5 kW. Lisälähdön maksimiteho on 3,5 kW.



- 1 FTS2-anturin johtoläpivienti, RS485-väyläjohto
- 2 F1-anturin, F2-anturin ja turvakatkaisun johtoläpivienti
- 3 Höyrystinjohdon johtoläpivienti
- 4 kiukaan johdon johtoläpivienti
- 5 Syöttöjohdon johtoläpivienti
- 6 Valon ja tuulettimen johtoläpivienti
- 7 Kaiutinjohtojen ja DMX-johdon läpivienti
- 8 Etäkäynnistyksen ja kalvoanturin johtoläpivienti
- 9 Lisälähdön johtoläpivienti
- 10 Teholaajenuksen johtoläpivienti
- 11 Yhteismaadoituskisko



- 11 Yhteismaadoituskisko
- 12 Turvakatkaisimen ja anturinjohtojen riviliitin
- 13 Kiuas-, höyrystin- ja syöttöjohtimien riviliitin
- 14 Valon ja tuulettimen riviliitin
- 15 DMX:n, kaiuttimien, etäkäynnistyksen ja kalvoanturin riviliitin
- 16 Lisälähdön riviliitin
- 17 Teholaajennuksen riviliitin
- 18 Väyläliitäntä RS485 (RJ45)

Noudata saunaohjaimen sähköliitännöiden osalta seuraavia kohtia:

- Vain sähköalan ammattilainen tai vastaavan pätevyyden omaava henkilö saa suorittaa asennuksen.



Huomaa, että takuuvaatimusten esittämiseksi tarvitaan kopio liitännän tehneen sähköliikkeen laskusta.

- Saunaohjaimen liittyviä töitä saa tehdä vain jännitteettömässä tilassa.
- Sähkönsyöttö on toteutettava kiinteällä liitännällä.
- Asiakkaan on järjestettävä ylijännitekategorian III mukainen kaikinapainen erotuslaite, joka takaa täyden katkaisun.
- Noudata lukua ”7. Liitäntäkaavio” sivulla 28.

5.1. Syöttöjohto, kiuas ja höyrystin

1. Vedä syöttöjohto ja kiukaan ja höyrystin johto johtoläpivientien [3], [4] ja [5] kautta 230 V / 400 V -liitäntäalueelle.
2. Liitä liitäntäjohdot kytkentäkaavion mukaisesti riviliittimeen [13].
Noudata tällöin kunkin laitteen käyttöohjeita.

5.2. Saunahuoneen valo

1. Vedä valojohto johtoläpiviennin [6] kautta 230 V / 400 V -liitäntäalueelle.
2. Liitä valojohto kytkentäkaavion mukaisesti riviliittimeen [14].
Noudata tällöin kulloisenkin laitteen käyttöohjeita.

5.3. Tuuletin

1. Vedä tuuletinjohto johtoläpiviennin [6] kautta 230 V / 400 V -liitäntäalueelle.
2. Liitä tuuletinjohto kytkentäkaavion mukaisesti riviliittimeen [14].
Noudata tällöin kulloisenkin laitteen käyttöohjeita.

5.4. Kiuasanturi F1

1. Vedä kiuasanturijohdot johtoläpiviennin **[2]** kautta pienjännitteen liitántä-alueelle.
2. Liitä kiuasanturin punaiset johdot riviliittimen **[12]** liittimiin, joissa on teksti ”**STB**”.
3. Liitä kiuasanturin valkoiset johdot riviliittimen **[12]** liittimiin, joissa on teksti ”**F1**”.

5.5. Laudeanturi F2 (valinnainen)

1. Vedä laudeanturijohdot johtoläpiviennin **[2]** kautta pienjännitteen liitántä-alueelle.
2. Liitä laudeanturin johdot riviliittimen **[12]** liittimiin, joissa on merkintä ”**F2**”.


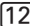
5.6. Kosteus-lämpötila-anturi FTS2 (valinnainen)

1. Vedä anturijohdot johtoläpiviennin **[1]** kautta pienjännitteen liitántäalueelle.
2. Liitä lämpötila-anturin johdot riviliittimen **[12]** liittimiin, joissa on merkintä ”**F2**”.
 - a. Liitä musta johto oikeanpuoleiseen liittimeen.
 - b. Liitä ruskea johto vasemmanpuoleiseen liittimeen.
3. Liitä kosteusanturin johdot riviliittimen **[12]** liittimiin, joissa on merkintä ”**FTS2**”.
 - c. Liitä vihreä johto liittimeen ”**GREEN**”.
 - d. Liitä oranssi johto liittimeen ”**ORANGE**”.
 - e. Liitä punainen johto liittimeen ”**RED**”.

5.7. Turvakatkaisin

Standardin EN 60335-2-53 mukaan etäohjauksella varustettuja saunaohjaimia saa käyttää ainoastaan sellaisen kiukaan ohjaamiseen ja säätelyyn, joka läpäisee kohdan 19.101 mukaisen peittämiskokeen. Vaihtoehtoisesti kiukaaseen tai sen yläpuolelle voidaan asentaa vastaava turvakatkaisin. Se kytkee kiukaan pois päältä, jos kiukaan päälle lasketaan esineitä kuten pyyhe.

Asenna turvakatkaisin tekemällä seuraavat työvaiheet:



1. Asenna turvakatkaisin laitteen käyttöohjeessa kuvatulla tavalla.
2. Vedä turvakatkaisimen johdot johtoläpiviennin  kautta pienjännitteen liitäntäalueelle.
3. Liitä johdot riviliittimen  liittimiin, joissa on merkintä "OSG".



Jos turvakatkaisinta ei asenneta, tekstillä "OSG" merkittyihin liittimiin täytyy muodostaa metallilankasilloitus.

5.8. Lisälähtö



Lisälähtöä voidaan käyttää esimerkiksi infrapunasäteilijöitä tai infrapunalämpölevyjä varten.

1. Vedä lisälaitteen liitäntäjohto johtoläpivientien  kautta 230 V / 400 V -liitäntäalueelle.
2. Liitä liitäntäjohtot kytkentäkaavion mukaisesti riviliittimeen . Noudata tällöin kulloisenkin laitteen käyttö- ja turvaohjeita.

Noudata ehdottomasti lisälähdön maksimilähtötehoa:

- Himmennettävä enintään 500 W
- Kytkettävä enintään 3500 W

5.9. Kalvoanturi (valinnainen)

1. Vedä anturijohdot johtoläpiviennin  kautta laajennusmoduulin pienjännitteen liitäntäalueelle.
2. Liitä anturijohdot riviliittimen  liittimiin, joissa on merkintä "FOIL SENSOR".

5.10. Teholaajennus (valinnainen)

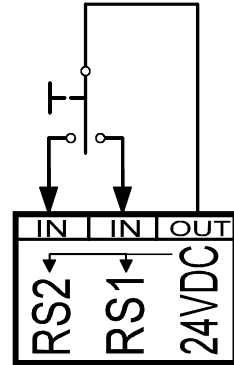
1. Vedä teholaaennuksen johto johtoläpiviennin [10] kautta 230 V / 400 V -liitäntäalueelle.
2. Liitä teholaaennuksen johto kytkentäkaavion mukaisesti riviliittimeen [17]. Liitin "ST1" on turvapiiriä varten ja liitin "ST2" ohjauspiiriä varten. Noudata kulloisenkin laitteen käyttöohjeita.

5.11. Etäkäynnistys (valinnainen)

Liitäntä tehdään liittimillä "RS1", "RS2" ja "24VDC" riviliittimeen [15].

+24 VDC täytyy kytkeä kytkimen tai toimilaitteen kautta halutun käytötavan liittimeen RS1 tai RS2.

Teknikkovalikossa RS1 ja RS2 voidaan kohdentaa mihin tahansa käytötapaan tai käyttäjäohjelmaan (katso "10.16. Valmiustilan aktivoiminen etäkäynnistystä varten" sivulla 48).



Kuva 6 Etäkäynnistys

5.12. Kaiutinlähtö (valinnainen)

Kaiutinlähtöön voidaan liittää tavallisia kaiuttimia, joiden suositeltu musiikkitehonkesto on n. 25 W. Impedanssin tulisi olla 8 Ω. Kaiutinjohton vähimmäispoikkipinta-ala on 2 x 0,5 mm².

1. Vedä kaiutinjohtot johtoläpiviennin [7] kautta laajennusmoduulin pienjännitteen liitäntäalueelle.
2. Yhdistä kaiutinjohtot riviliittimeen [15], jossa on teksti RS- ja RS+ osoittamassa oikeaa kaiutinta sekä LS- ja LS+ osoittamassa vasenta kaiutinta. Huolehdi tällöin oikeasta napaisuudesta, jotta saat aikaan ihanteellisen äänielämyksen.

5.13. DMX-lähtö (valinnainen)

1. Vedä DMX-liitäntäjohdot johtoläpiviennin **[7]** kautta laajennusmoduulin pienjännitteen liitäntäalueelle.
2. Liitä DMX-liitäntäjohdot nimityksiä vastaavasti riviliittimeen **[15]**.
 - **DMX A** (DATA +)
 - **DMX B** (DATA -)
 - **GND** (maa/häiriösuojaus)

Laite tukee 4 erilaista DMX-prokollaa, joita voidaan siirtää samanaikaisesti DMX-lähtöön:

1. 8-bittinen RGBW
2. 16-bittinen RGBW
3. 8-bit Hue - Value - Saturation (esim. COLLAXX-värivalovalitteille)
4. 8-bit Hue - Saturation - Value

Käytä seuraavaa osoitekatsausta yhdistääksesi värivalolaitteesi saunaohjaimen.

RGBW_8BIT

- Alkuosoite: Kanava 1
 - ▶ Kanava valoryhmä 1: **1**
 - ▶ Kanava valoryhmä 2: **5**
 - ▶ Kanava valoryhmä 3: **9**
 - ▶ Kanava valoryhmä 4: **13**

RGBW_16BIT

- Alkuosoite: Kanava 17
 - ▶ Kanava valoryhmä 1: **17**
 - ▶ Kanava valoryhmä 2: **25**
 - ▶ Kanava valoryhmä 3: **33**
 - ▶ Kanava valoryhmä 4: **41**

COLLAXX (HUE - VALUE - SATURATION, 8-bit)

- Alkuosoite: Kanava 49
 - ▶ Kanava valoryhmä 1: **49**
 - ▶ Kanava valoryhmä 2: **52**
 - ▶ Kanava valoryhmä 3: **55**
 - ▶ Kanava valoryhmä 4: **58**

HSV (HUE - SATURATION - VALUE, 8-bit)

- Alkuosoite: Kanava 61
 - ▶ Kanava valoryhmä 1: **61**
 - ▶ Kanava valoryhmä 2: **64**
 - ▶ Kanava valoryhmä 3: **67**
 - ▶ Kanava valoryhmä 4: **70**

5.14. Väyläliitäntä (RS485-liitäntä)

1. Vedä RJ45-tietojohdot johtoläpiviennin 1 kautta pienjännitteen liitäntä-alueelle.
2. Liitä tietojohdot RJ45-naarasliittimeen 18.
3. Noudata kyseessä olevan laitteen käyttö- ja turvallisuusohjeita (RS485-liitäntä, MySentio Wifi, ..)

5.15. Asennuksen viimeistely

1. Liitä syöttöjohdon ja kaikkien laitteiden maadoitusjohtimet maadoituskiskoon 11.
2. Aseta kotelon kansi yläreunan päälle ja yhdistä lattajohto kotelon alaosaan.
3. Paina kotelon yläosaa alaspäin ja kierrä koteloruuvi kiinni ruuvimeisselillä.
4. Laita lopuksi 2 painiketta (päälle/pois-kytkin ja valokytkin) kotelon yläosaan niin, että ne loksahtavat kuuluvasti paikoilleen.

6. Tarkastukset



VAROITUS!

Seuraavat tarkastukset suoritetaan, kun virransyöttö on päällä. Sähköiskuvaara.

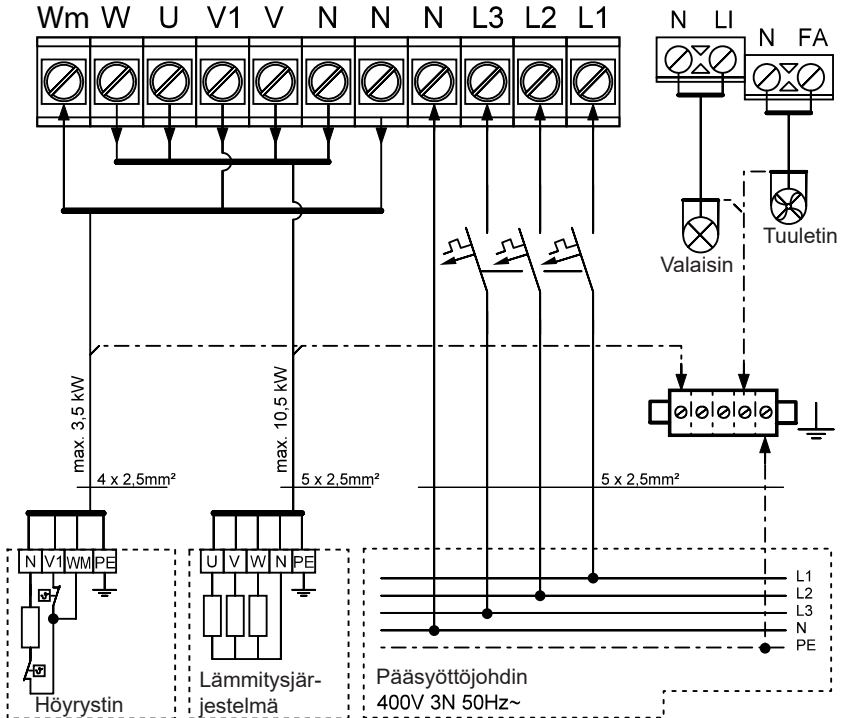
- **ÄLÄ KOSKAAN** kosketa sähköä johtavia osia.

Seuraavat tarkastukset täytyy teettää hyväksytyllä sähköasentajalla.

1. Tarkasta maadoitusjohtojen kosketus maadoitusjohdinliittimeen.
2. Tarkasta kiuasanturin F1 ylikuumenemissulake.
 - a. Kytke saunaohjain päälle.
 - ▶ Jos tässä kohdassa näkyy virheilmoituksia, hyppää vaiheeseen **”14.1. Virheilmoitukset” sivulla 55.**
 - b. Avaa kiuasohjain ja irrota toinen punaisista kiuasanturin johdoista.
 - ▶ Kuuluu toistuva varoitusääni, näytössä näkyy ”Virhe *01”.
 - ▶ Ohjain kytkee kiukaan pois päältä.
 - c. Kytke saunaohjain pois päältä.
 - d. Liitä punainen kiuasanturin johto takaisin paikalleen.
 - e. Irrota nyt toinen valkoisista kiuasanturin johdoista.
 - f. Kytke saunaohjain päälle.
 - ▶ Kuuluu toistuva varoitusääni, näytössä näkyy ”Virhe *04F1”.
 - ▶ Ohjain kytkee kiukaan pois päältä.
 - g. Kytke saunaohjain pois päältä.
 - h. Liitä valkoinen kiuasanturin johto takaisin paikalleen.
3. Tarkista saunakäytön vaihejärjestys L1, L2, L3 – U, V, W sekä suurin sallittu lämmitysteho 3,5 kW per vaihe.
4. vain kun käytetään höyrytintä: Tarkasta vaihekytkentä höyrytinkäyttöön L1, L2, L3 – U, V1, W.
5. Tarkasta vaihekytkentä L3:sta AUX:iin, kun aktivoit lisälähtöön liitetyn laitteen.

7. Liitäntäkaavio

7.1. 230 V / 400 V -perusmoduulin kytkentäkaavio

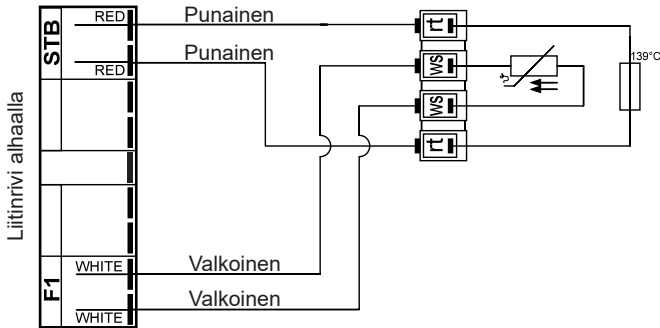


Syöttöjohtimen suositellut suojalaitteistot:

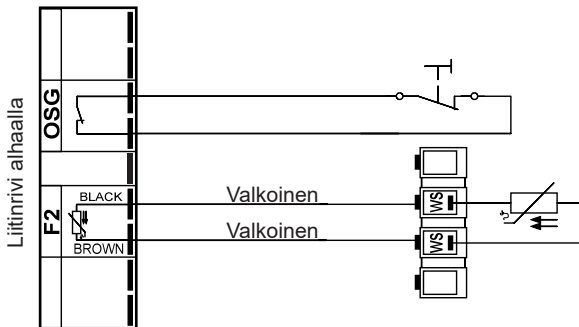
Syöttöjohtimen varoke:	3 x 20 A (CAT III)
FI (vikavirtasuoja):	30 mA

7.2. Pienjännitteen perusmoduulin kytkentäkaavio

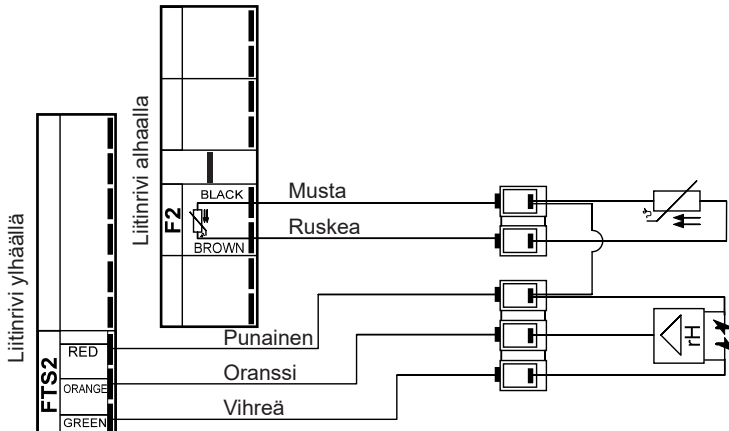
Liitäntä kiuasanturille F1:



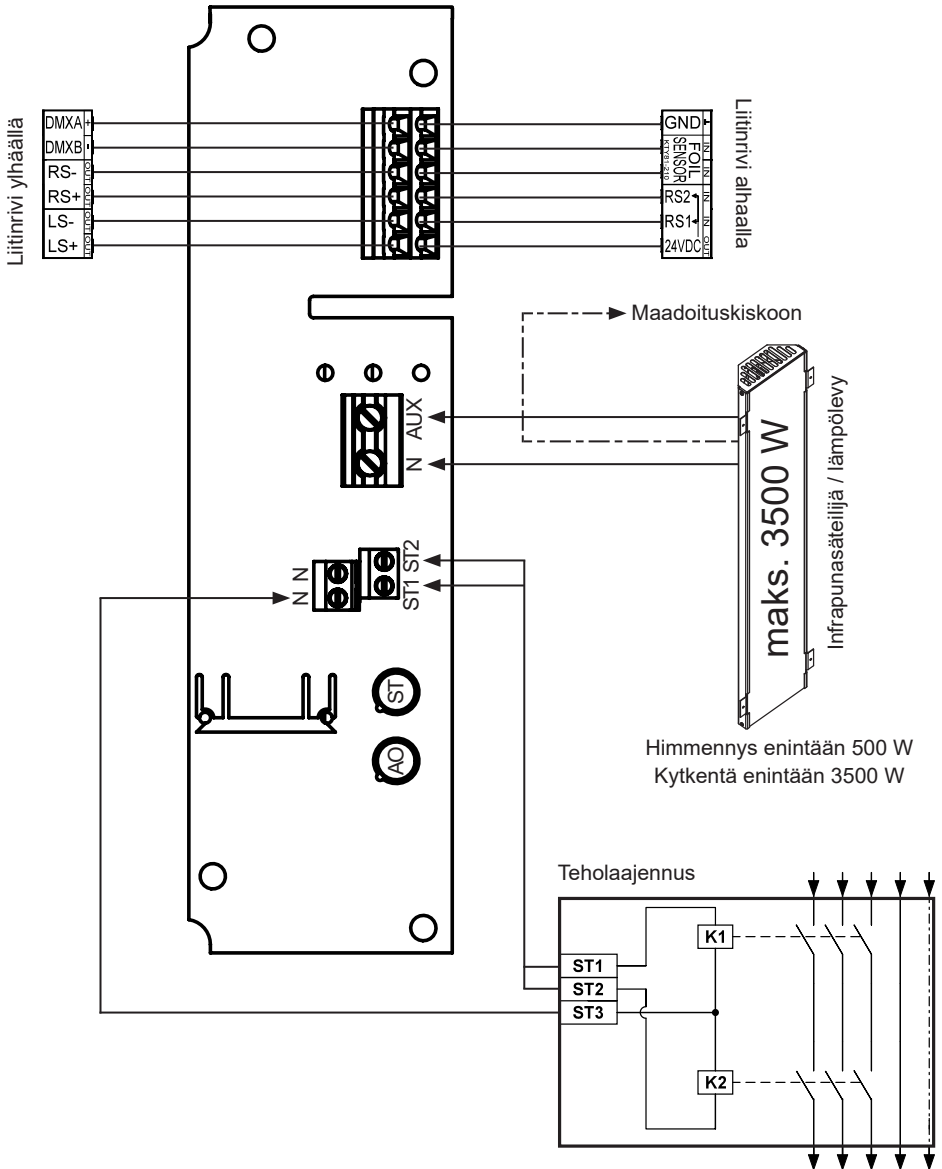
Liitäntä laudeanturille F2 ja turvakatkaisulle OSG:



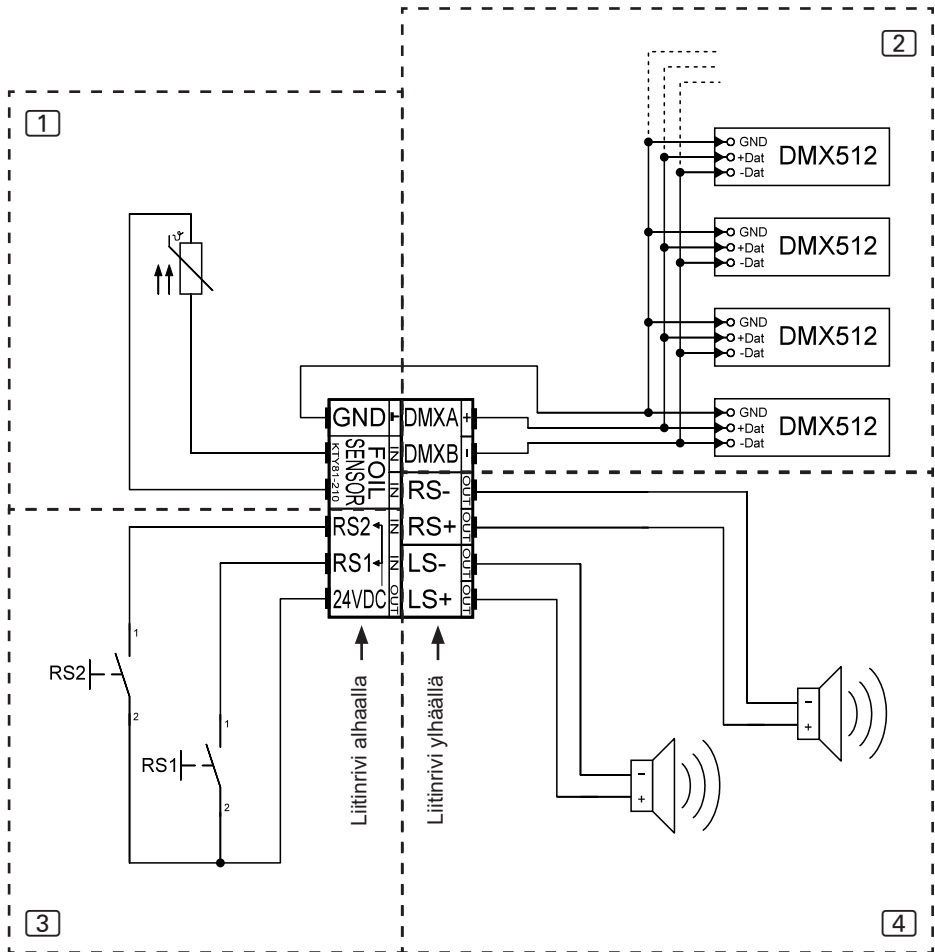
Liitäntä kosteus-lämpötila-anturille FTS2:



7.3. 230 V -laajennusmoduulin kytkentäkaavio

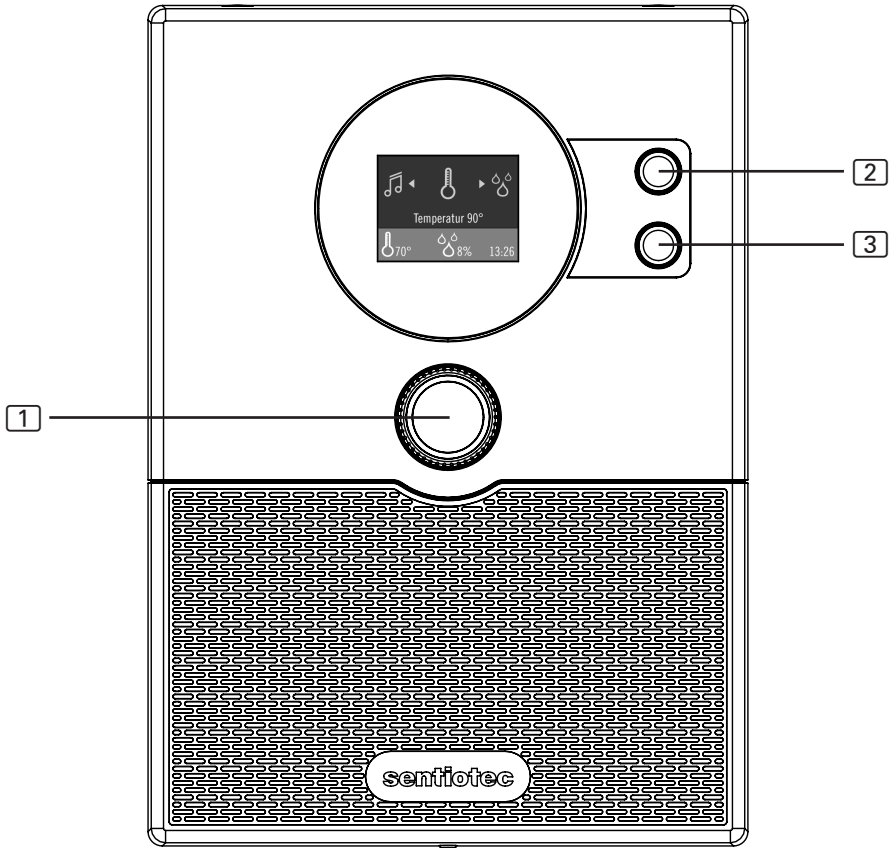


7.4. Pienjännitelaajennusmoduulin kytkentäkaavio



- 1 Kalvoanturin liitântä
- 2 DMX-liitântä
- 3 Etäkäynnistyksen liitântä
- 4 Kaiuttimen liitântä

8. Käyttölaitteet



- 1 **Kääntövalitsin** (Kääntö- ja painonappi valikon käyttöön)
- 2 **Pääkytkin** (Kytkee saunaohjaimen päälle ja pois)
- 3 **Valokytkin** (Kytkee saunahuoneen valon päälle ja pois)

9. Käyttöönotto

9.1. Teknikkovalikko

Saunaohjaimessa home.com4 on päävalikosta erillinen teknikkovalikko, jossa kaikki perustavanlaatuiset säädöt tehdään.

Teknikkovalikko on käytettävissä vain englannin kielellä.

Päästäksesi teknikkovalikkoon toimi seuraavasti:

1. Kytke saunaohjain pois päältä
2. Pidä kääntövalitsin **1** painettuna ja kytke saunaohjain päälle pääkytkimellä **2**.
 - ▶ Näyttöön ilmestyy teknikkovalikon käytettävät valikkokohdat.

Valikossa navigoiminen

Käytä kääntövalitsinta **1** valikossa navigoimiseen.

- Käännä kääntövalitsinta oikealle selataksesi valikkoa alaspäin.
- Käännä kääntövalitsinta vasemmalle selataksesi valikkoa ylöspäin.
- Valitse valikkokohta painamalla kääntövalitsinta.
 - ▶ Kyseinen valikkokohta korostetaan vihreällä ja sitä voidaan nyt muuttaa.
- Käännä ylös tai alas näyttääksesi valittavissa olevat säätömahdollisuudet.
 - ▶ Vahvista valinta painamalla kääntövalitsinta.



Standardin EN 60335-2-53 mukaan yksityissaunojen lämmitysajan saa rajoittaa enintään 6 tuntiin. Hotelleissa, kerrostaloissa ja vastaavissa paikoissa lämmitysajan saa rajoittaa enintään 12 tuntiin. Lämmitysajan rajoitusta saa laajentaa 18 tuntiin tai 24 tuntiin vain julkisissa saunoissa.

Valikkokohta	Kuvaus	Säätömahdollisuudet
Language	Valikkokielen asetus	Saksa, englanti, ruotsi, ranska, sloveeni, espanja, viro, suomi, italia, hollanti, puola, venäjä, tsekki
Time	Kellonajan asetus	tt:mm
Year	Vuoden asetus	esim. 2017
Month	Kuukauden asetus	esim. heinäkuu
Day	Päivän asetus	esim. 17.
Weekday	Viikonpäivän asetus	esim. maanantai
Heating time limit	Maksimilämmitysajan rajoitus	6 / 12 / 18 / 24 h
Heater Sensor Offset	Kiuasanturin kalibrointi, °C	-10...+10
Bench Sensor Offset	Laudeanturin kalibrointi, °C	-10...+10
Humidity Offset	Kosteuden kalibrointi, %	-10...+10
Maximum temperature	Suurimman asetettavissa olevan ohjelämpötilan asetus	40 - 110 °C
Bench sensor	Kaksianturikäytön aktivointi/deaktivointi	On/Off
Phase Alignment	Vaihesovituksen aktivointi/deaktivointi	On/Off
Vaporizer	Höyrystimen aktivointi/deaktivointi tai pelkän höyrystimen käyttö	Off / Normal / Single
Foil sensor	Kalvoanturin aktivointi tai deaktivointi	Yes / No
Aux mode	Lisälähtö himmennys 500 W:iin asti Lisälähtö kytkentä 3500 W:iin asti	dimnable switchable
Tila RS1	Käynnistystila etäkäynnistystulo RS1 RS = Remote Start (etäkäynnistys)	Finnish / combi, user programs 1–5
Tila RS2	Käynnistystila etäkäynnistystulo RS2 RS = Remote Start (etäkäynnistys)	Finnish / combi, user programs 1–5
Remote enabling	Etäkäynnistys - vapautus	Internal/external
Drying time	Automaattisen jälkikuivausajan kesto (80°C ja tuuletin)	0–60 min
Preheat time vaporizer	Höyrystimen säätimestä riippumaton esilämmitysaika (vain ilman FTS2-anturia)	0–20 min

Valikkokohta	Kuvaus	Säätömahdollisuudet
Colorlight	Väriasetukset Liukuvärit Langattoman DMX-siirron synkronointi Yksilölliset väriasetukset perusväreille: Punainen, keltainen, vihreä, turkoosi, sininen, violetti, valkoinen	<u>Väriosuudet:</u> Punainen: 0–100 % Vihreä: 0–100 % Sininen: 0–100 % Valkoinen: 0 - 100 %
- Liuku	Liukuvärien 1 - 4 yksilöllinen konfigurointi Liukuvärien yksittäisten perusvärien aktivointi/deaktivointi Liukuvärien järjestystä ei voi muuttaa	Punainen: Päälle/pois Keltainen: Päälle/pois Vihreä: Päälle/pois Turkoosi: Päälle/pois Sininen: Päälle/pois Violetti: Päälle/pois Valkoinen: Päälle/pois
- Duration	Yksittäisten värien keston asetus	[sek]
- Transition time	Värien vaihtumisen keston asetus	[sek]
- Synchronize	DMX-kanavan synkronointi (langatonta yhteyttä varten)	Kanava: 0–512
SW version	Ohjelmistoversion näyttö	
HW version	Laitteistoversion näyttö	
Cycles	Relekytkentäjaksojen määrän näyttö	
Buzzer	Akustisen merkkiäänen aktivointi/deaktivointi	On/Off
Button sounds	Näppäinänten aktivointi/deaktivointi	On/Off
Secure Pairing Music	Kirjautuminen on vahvistettava	On/Off
Secure Pairing App	Kirjautuminen on vahvistettava	On/Off
Bluetooth PIN		
Bluetooth-tunnus		
Delete paired devices	Kaikkien liitettyjen laitteiden palautus	Käynnistys
Factory reset	Tehdasasetusten palautus	Käynnistys
Exit	Kaikki asetukset tallennetaan ja poistutaan teknikkovalikosta	Käynnistys

10. Käyttö

Noudata kohtaa ”8. Käyttölaitteet” sivulla 32.

10.1. Valon sytyttäminen (puhdistusvalaistus)

Saunahuoneen valo voidaan sytyttää ja sammuttaa päälle/pois-kytkimestä [2] riippumatta.

- Sytytä tai sammuta valo ohjainlaitteesta painamalla valokytkintä [3].

10.2. Ohjainlaitteen kytkeminen päälle



VAROITUS!

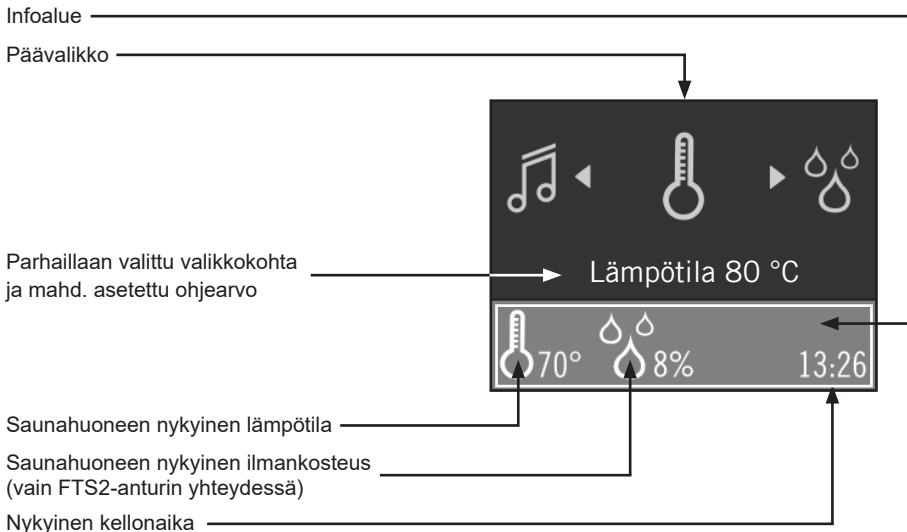
Palovaara

Kuumalla kiukaalla olevat tulenarat esineet voivat syttyä ja aiheuttaa tulipalon.

- ÄLÄ KOSKAAN laske tulenarkoja esineitä kiukaalle.
- Ennen kuin kytket saunaohjaimen päälle, varmista, että kiukaalla EI ole tulenarkoja esineitä.

- Kytke ohjainlaite päälle painamalla päälle/pois-kytkintä [2].
 - ▶ Valikkokohta ”Käyttäjiohjelmat” näkyy vakiona, kun näyttö kytketään päälle.

Näyttöelementit:





10.3. Saunakäyttö

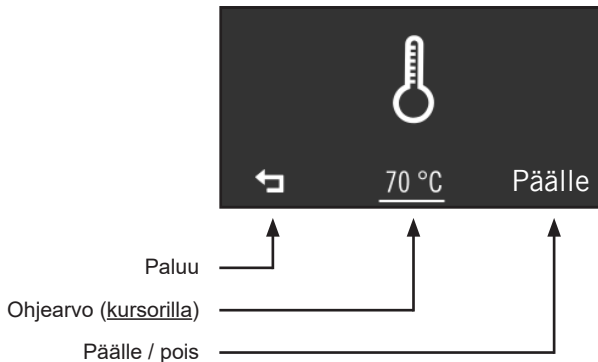
Saunakäytön kytkeminen päälle

1. Valitse kääntövalitsimella lämpötilan symboli. Vahvista painamalla tätä lyhyesti.
 - ▶ Alivalikko "Lämpötila" aukeaa ja näyttöön ilmestyy alleviivattuna lämpötilalle asetettu ohjearvo.
2. Paina kääntövalitsinta arvon muuttamiseksi.
 - ▶ Arvo on nyt korostettu vihreällä ja sitä voidaan muuttaa.
 - ▶ Vahvista säätö painamalla kääntövalitsinta uudelleen.
3. Siirrä kohdistin (alleviivaus) oikealle kohtaan "Päälle" ja paina kääntövalitsinta lyhyesti.
 - ▶ Kiuas kytkeytyy päälle ja alkaa lämmitellä.
 - ▶ Infoalueen lämpötilasymbolin väri vaihtuu punaiseksi.
 - ▶ Valikkokohdasta "Lämpötila" poistutaan automaattisesti.

Saunakäytön kytkeminen pois päältä

4. Kytke kiuas pois päältä toistamalla kohdat 1. ja 3.
 - ▶ Näytön "Päälle" sijaan näkyy "Pois".
 - ▶ Poistu alivalikosta asettamalla kursori "Paluu-symbolin" päälle vasemmalle ja vahvista kääntövalitsimella.

Näkymä alivalikkoon lämpötila





10.4. Yhdistelmäkäyttö

Yhdistelmäkäytön kytkeminen päälle

- Valitse kääntövalitsimella lämpötilan symboli. Vahvista painamalla tätä lyhyesti.
 - ▶ Alivalikko ”Kosteus” aukeaa ja näyttöön ilmestyy alleviivattuna kosteudelle asetettu ohjearvo.
- Paina kääntövalitsinta arvon muuttamiseksi.
 - ▶ Arvo on nyt korostettu vihreällä ja sitä voidaan muuttaa.
 - ▶ Vahvista säätö painamalla kääntövalitsinta uudelleen.
- Siirrä kohdistin (alleviivaus) oikealle kohtaan ”Päälle” ja paina kääntövalitsinta lyhyesti.
 - ▶ Höyrystin kytkeytyy päälle ja alkaa lämmitellä.
 - ▶ Infoalueen kosteussymbolin väri vaihtuu siniseksi.
 - ▶ Valikkokohdasta ”Kosteus” poistutaan automaattisesti.

Yhdistelmäkäytön kytkeminen pois päältä

- Kytke höyrystin pois päältä toistamalla kohdat 1. ja 3.
 - ▶ Näytön ”Päälle” sijaan näkyy ”Pois”.
 - ▶ Poistu alivalikosta asettamalla kursori ”Paluu-symbolin” päälle vasemmalle ja vahvista kääntövalitsimella.
 - ▶ Höyrystin kytkeytyy pois päältä.

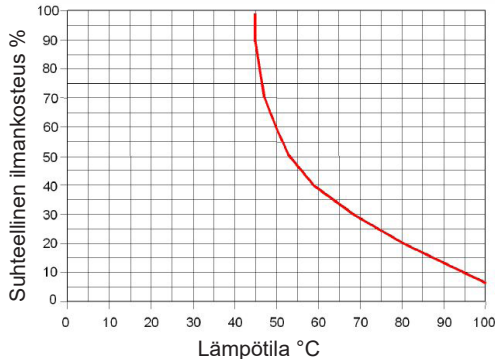


Höyrystimen voi käynnistää vain, jos kiuas on kytketty päälle. Suurin asetettava ohjekosteus riippuu saunan lämpötilasta. Mitä korkeampi lämpötila, sitä vähäisempi on suurin asetettava kosteusarvo (katso käyrää).

Poikkeus: Aktivoituna on pelkän höyrystimen käyttö (ks. ”9.1. Tekniikkovalikko” sivulla 33). Tässä tilassa höyrystimen voi ottaa käyttöön myös ilman kiuasta, maksimikosteus riippuu kuitenkin saunahuoneen senhetkisestä lämpötilasta.



Jos saunaohjainta käytetään ilman kosteus-lämpötila-anturia (FTS2), tahdistuskäyttö on aktivoituna. Jos saunahuoneen lämpötila on alle 30 °C, höyrystin kytketään esiasetetuksi ajaksi (vakiona 10 minuutiksi) yhtäjaksoisesti päälle. Sen jälkeen käynnistyy normaali tahdistuskäyttö.



EN 60335-2-53:2011; Lämpötila / suhteellinen ilmankosteus -käyrä asianmukaista käyttöä varten.

10.5. Jälkikuivausohjelma

Jälkikuivausohjelma kytkeytyy automaattisesti päälle yhdistelmäkäytön jälkeen, jotta saunahuoneeseen ei pääse muodostumaan homeita eikä lahoa. Toiminto lämmittää saunahuonetta 30 minuutin ajan 80 °C:een tuulettimen käydessä.

- ▶ Keskeytä jälkikuivausohjelma painamalla kääntövalitsinta **1** ja käännä sitä samanaikaisesti oikealle.



Jotta homeen ja lahon muodostuminen voidaan estää, jälkikuivaustointoa EI pidä keskeyttää.



10.6. Saunahuoneen valo

Saunahuoneen valon kytkeminen päälle

1. Valitse kääntövalitsimella **1** valon symboli. Paina tätä sen jälkeen lyhyesti saunahuoneen valon kytkemiseksi päälle.
 - ▶ Saunahuoneen valo kytkeytyy päälle.
 - ▶ Näyttöön ilmestyy ”Valo päällä”

Saunahuoneen valon kytkeminen pois päältä

2. Sammuta saunahuoneen valo painamalla kääntövalitsinta **1** uudelleen.
 - ▶ Saunahuoneen valo kytkeytyy pois päältä.
 - ▶ Näyttöön ilmestyy ”Valo pois päältä”



10.7. Tuuletin

Tuulettimen kytkeminen päälle

3. Valitse kääntövalitsimella tuulettimen symboli. Paina tätä sen jälkeen lyhyesti tuulettimen kytkemiseksi päälle.
 - ▶ Tuuletin kytkeytyy päälle.
 - ▶ Näyttöön ilmestyy ”Tuuletin päällä”

Tuulettimen kytkeminen pois päältä

4. Sammuta tuuletin painamalla kääntövalitsinta uudelleen.
 - ▶ Tuuletin kytkeytyy pois päältä.
 - ▶ Näyttöön ilmestyy ”Tuuletin pois”



10.8. Ajastin

Ajastimen asettaminen

Voit säätää ajastinta minuutin tarkkuudella. Ajastimen maksimiaika on 6 tuntia.

1. Kytke päälle ne toiminnot, joiden halutaan kytkeytyvän päälle ajastimeen asetetun ajan kuluttua umpeen.
2. Valitse kääntövalitsimella ajastimen symboli. Paina tätä sen jälkeen lyhyesti alivalikon avaamiseksi.
 - ▶ Alivalikko ”Ajastin” aukeaa ja näytölle ilmestyy alleviivattuna viimeksi asetettu ajastusaika.
3. Paina kääntövalitsinta arvon muuttamiseksi.
 - ▶ Arvo on nyt korostettu vihreällä ja sitä voidaan muuttaa.
 - ▶ Näyttö on muotoa hh:mm.
 - ▶ Vahvista säätö painamalla kääntövalitsinta uudelleen.
4. Siirrä kohdistin (alleviivaus) oikealle kohtaan ”Start” ja paina kääntövalitsinta lyhyesti.
 - ▶ Kaikki viimeksi aktivoidut toiminnot kytketään pois päältä.
 - ▶ Näyttöön ilmestyy jäljellä oleva ajastusaika.
 - ▶ Kääntövalitsin alkaa vilkkua hitaasti.
 - ▶ Kun ajastimeen asetettu aika on kulunut umpeen, valitut toiminnot kytkeytyvät päälle.



Ajastintoiminnon keskeyttäminen

Keskeytä ajastintoiminto painamalla kääntövalitsinta **1** ja käännä sitä samanaikaisesti oikealle.

- ▶ Ajastintoiminto keskeytetään.



Käyttö on turvallisuussyistä estetty aktivoituneen ajatuksen aikana.

Asetusten muuttamiseksi keskeytä ajastintoiminto ja käynnistä se lopuksi uudelleen.



10.9. Kesto aika

Voit jo saunaohjaimen teknikkovalikossa määrätä, miten kauan sauna enintään saa olla yhtäjaksoisesti käytössä (esim. 6 h yksityissaunoissa).


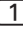

1. Tämän asetuksen hienosäätämiseksi valitse kääntövalitsimella **1** ajastin-symboli. Paina tätä sen jälkeen lyhyesti alivalikon avaamiseksi.
 - ▶ Alivalikko "Kesto aika" aukeaa ja näytölle ilmestyy alleviivattuna viimeksi asetettu kesto aika.
2. Paina kääntövalitsinta arvon muuttamiseksi.
 - ▶ Arvo on nyt korostettu vihreällä ja sitä voidaan muuttaa.
 - ▶ Näyttö on muotoa hh:mm.
 - ▶ Vahvista säätö painamalla kääntövalitsinta uudelleen.
 - ▶ Asetettu arvo tallennetaan pysyvästi.
3. Poistu alivalikosta asettamalla kursori "Paluu-symbolin" päälle vasemmalle ja vahvista kääntövalitsimella.

10.10. ECO-tila

Eco-toiminnon ansiosta voit säästää energiaa saunomiskertojen välillä. Liitetyt laitteet toimivat pienemmällä teholla eco-toiminnon ollessa aktiivoituna. Voit valita saunomiskertojen välisen tauon pituudeksi 20, 40 tai 60 minuuttia.

Kiuas ja höyrystin kytkeytyvät jälleen päälle ennen tauon päättymistä. Näin ohjelämpötila ja ohjekosteus on taas saavutettu saunomiskertojen välisen tauon päättyessä.

Aktivoi eco-toiminto tekemällä seuraavat vaiheet:

1. Valitse kääntövalitsimella  ECO-symboli. Paina tätä sen jälkeen lyhyesti alivalikon avaamiseksi.
 - ▶ Alivalikko "ECO-tila" aukeaa ja näytölle ilmestyy alleviivattuna viimeksi käytetty tauko aika.
2. Paina kääntövalitsinta taukoajan muuttamiseksi.
 - ▶ Arvo on nyt korostettu vihreällä ja sitä voidaan muuttaa.
 - ▶ Näyttö on minuutteina.
3. Käytettävissä on 3 eri pituista tauko aikaa:
 - 20-minuuttinen saunatauko.
 - 40-minuuttinen saunatauko.
 - 60-minuuttinen saunatauko.
 - ▶ Vahvista säätö painamalla kääntövalitsinta uudelleen.
4. Siirrä kohdistin (alleviivaus) oikealle kohtaan "Start" ja paina kääntövalitsinta lyhyesti.
 - ▶ Saunatauko alkaa.
 - ▶ Näyttöön ilmestyy jäljellä oleva tauko aika.
 - ▶ Kääntövalitsin  alkaa vilkkua hitaasti.
5. Keskeytä saunatauko painamalla kääntövalitsinta  ja käännä sitä samanaikaisesti oikealle.



10.11. Viikkoajastin

Viikkoajastin mahdollistaa saunaohjaimen automaattisen päälle ja pois päältä kytkemisen tiettyinä aikoina, tiettyinä viikonpäinä ja millä tahansa käyttötavalla. Tätä varten voidaan ohjelmoida 14 toisistaan riippumatonta päälle/pois-kytkentätapahtumaa. Saunaohjaimen manuaalikäyttö on samanaikaisesti mahdollista rajoituksetta.

Luo viikkoajastinohjelma tekemällä seuraavat vaiheet:

1. Valitse kääntövalitsimella viikkoajastin-symboli. Paina tätä sen jälkeen lyhyesti alivalikon avaamiseksi.
 - ▶ Alivalikko ”Viikkoajastin” aukeaa ja näyttöön ilmestyvät seuraavat valikkokohdat:
- Ajastin nro [1 - 14]
 - ▶ Jokaiselle päälle/pois-kytkentätapahtumalle voidaan antaa mikä tahansa ajastusnumero 1 – 14.
- Viikonpäivät [Ma - Su]
 - ▶ Tässä säädetään, minä viikonpäivinä nykyinen ohjelma halutaan ajaa. Käytettävissä on päivät maanantaista sunnuntaihin yksitellen tai ryhmät maanantaista sunnuntaihin, maanantaista perjantaihin ja lauantaista sunnuntaihin.
- Alkamisaika [00:00 - 23:59]
 - ▶ Aseta tässä kellonaika, jolloin haluat ohjelman käynnistyvän.
- Päätymisaika [00:00 - 23:59]
 - ▶ Aseta tässä kellonaika, jolloin haluat ohjelman päättyvän.



Teknikkovalikossa asetettu suurin sallittu käyttöaika rajoittaa tässä päälle- ja poiskytkentäajan välistä ajanjaksoa. Korjaa tarvittaessa maksimikäyttöajan asetusta teknikkovalikossa.



- Käyttäjäohjelmat [suomi, kombi, 1 -5]
 - ▶ Valitse tässä käynnistettävä käyttötapa. Valittavissasi on suomalainen sauna (vain lämmitys), yhdistelmäsauna (lämmitys + höyrystin) tai yksi 5 ohjelmoitavasta käyttäjäohjelmasta.
 - Aktivoitu [Päälle / pois]
 - ▶ Aktivoi tai deaktivoi tässä yksittäisiä päälle/pois-kytkentätapah-tumia.
2. Poistu viikkoajastimesta kytkeäksesi ohjelmat aktiivitilaan:
- ▶ Näytön infoalueelle ilmestyy viikkoajastinsymboli.
 - ▶ Kääntövalitsin **1** alkaa vilkkua hitaasti.



Jos käyttötapa etäkäynnistyksen valmiustila käynnistetään, kaikki viikkoajastimen ohjelmat keskeytetään täksi ajaksi. Kun poistut jälleen käyttötavasta etäkäynnistyksen valmiustila, kaikki aiemmin aktivoidut ohjelmat ovat jälleen aktivoituina.



Pääkytkimen **2** täytyy olla päällä, jotta viikkoajastin toimii.



10.12. Lapsilukko

Saunaohjaimessa on varusteena lapsilukko, joka estää lapsia kytkemästä kiuasta päälle tahattomasti tai vailla valvontaa.

- Aktivoi lapsilukko valitsemalla kääntövalitsimella **1** das lapsilukkosymboli. Paina tätä sen jälkeen lyhyesti lapsilukon kytkemiseksi käyttöön.
 - ▶ Näyttöön ilmestyy lapsilukkosymboli ja saunaohjaimen käyttö on estetty.
- Deaktivoi lapsilukko painamalla kääntövalitsinta **1** ja käännä sitä samanaikaisesti oikealle.



10.13. Kaikki pois

Kaikkien päällä olevien toimintojen ja sähkölaitteiden (ml. DMX-värivalo) kytkemiseksi kerralla pois päältä, valitse kääntövalitsimella [1] "kaikki pois" -symboli. Paina tätä sen jälkeen lyhyesti kaikkien toimintojen kytkemiseksi pois päältä. Viikkoajastimen säädöt säilyvät muistissa.



Jos käytät DMX-värivalolaitetta, on suositeltavaa käyttää jokaisen saunomisen jälkeen "kaikki pois" -toimintoa, koska jopa pääkytkimen [2] pois kytkemisen jälkeen eräät DMX-värivalolaitteet saattavat jatkaa toimintaansa.



10.14. Käyttäjöohjelmat

Käyttäjöohjelmien ansiosta mieleiset sauna-asetukset on mahdollista tallentaa ja hakea uudelleen käyttöön. Käytettävissä on 5 esiasetettua käyttäjöohjelmaa, joita voidaan muuttaa käyttäjien haluamalla tavalla.

Seuraavien toimintojen asetukset tallennetaan käyttäjöohjelmiin:

- Lämpötila
- Kosteus
- Lisälähtö
- Valaisin
- Tuuletin
- Värivalo

Esiasetetut käyttäjöohjelmat:

Seuraavat käyttäjöohjelmat on määritetty valmiiksi:

<i>Käyttäjöohjelma</i>	<i>Lämpötila</i> °C	<i>Kosteus*</i> %	<i>Valaisin</i>	<i>AUX</i>
1	90	0	Päälle	Pois
2	70	0	Päälle	Pois
3	50	60	Päälle	Pois
4	60	35	Päälle	Pois
5	0	0	Päälle	7

* vain kun höyrystin on aktivoitu



Käyttäjöhdjelman hakeminen:

3. Valitse kääntövalitsimella käyttäjöhdjelmien symboli. Paina tätä sen jälkeen lyhyesti alivalikon avaamiseksi.
 - ▶ Alivalikko "Käyttäjöhdjelmat" aukeaa ja näytölle ilmestyy alleviivattuna viimeksi käytetty käyttäjöhdjelma.
4. Paina kääntövalitsinta uudelleen toisen käyttäjöhdjelman käyttämiseksi.
 - ▶ Arvo on nyt korostettu vihreällä ja sitä voidaan muuttaa.
 - ▶ Käytettävissä on 5 käyttäjöhdjelmaa [1–5]
 - ▶ Vahvista säätö painamalla kääntövalitsinta uudelleen.
5. Siirrä kohdistin (alleviivaus) oikealle kohtaan "Start" ja paina kääntövalitsinta lyhyesti.
 - ▶ Käyttäjöhdjelma käynnistetään.



Omien käyttäjöhdjelmien luominen:

Voit luoda käyttäjöhdjelmia omien toiveittesi mukaan. Tällöin esiasetettu käyttäjöhdjelma korvataan uudella. Tee sitä varten seuraavat vaiheet:

1. Käynnistä kaikki ne toiminnot, joiden on määrä kytkeytyä päälle käyttäjöhdjelmassa.
2. Valitse kääntövalitsimella käyttäjöhdjelmien symboli. Paina tätä sen jälkeen lyhyesti alivalikon avaamiseksi.
3. Siirrä kohdistin (alleviivaus) vasemmalle kohtaan "Tallenna" ja paina kääntövalitsinta lyhyesti.
 - ▶ Asetukset on tallennettu valittuun käyttäjöhdjelmaan.
 - ▶ Kaikkien käyttäjöhdjelmien sammuttamiseksi käytä "kaikki pois"-toimintoa.



10.15. Lisälähtö

Saunaohjaimen lisälähtöön voit liittää esimerkiksi infrapunasäteilijän tai infrapunälämpölevyjä.

Intensiteetinsäätö, kun tehonsäätötoiminto on aktivoituna

Kun lisälähdön tehonsäätötoiminto on aktivoituna, voit säätää lisälaitteen tehoa asteikolla 1–7. Arvo 7 merkitsee täyttä tehoa.

1. Valitse kääntövalitsimella lisälähdön symboli. Vahvasta painamalla tätä lyhyesti.
 - ▶ Alivalikko ”Lisälähtö” aukeaa ja näyttöön ilmestyy alleviivattuna lisälähdölle asetettu intensiteetti-arvo.
2. Paina kääntövalitsinta arvon muuttamiseksi.
 - ▶ Arvo on nyt korostettu vihreällä ja sitä voidaan muuttaa.
 - ▶ Vahvasta säätö painamalla kääntövalitsinta uudelleen.
3. Siirrä kohdistin (alleviivaus) oikealle kohtaan ”Päälle” ja paina kääntövalitsinta lyhyesti.
 - ▶ Lisälähtö kytketään päälle.
 - ▶ Näytön infoalueelle ilmestyy lisälähdön symboli.

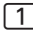


Lisälähdön kytkeminen pois päältä

4. Kytke lisälähtö pois päältä toistamalla kohdat 1. ja 3.
 - ▶ Näytön ”Päälle” sijaan näkyy ”Pois”.
 - ▶ Poistu alivalikosta asettamalla kursori ”Paluu-symbolin” päälle vasemmalle ja vahvasta kääntövalitsimella.

***Intensiteetinsäätö, kun tehonsäätötoiminto on deaktivoituna***

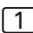
Kun lisälähdön tehonsäätötoiminto on deaktivoitu, voit kytkeä lisälaitteen vain päälle ja pois. Laite toimii aina täydellä teholla.

- Valitse kääntövalitsimella  lisälähdön symboli. Paina tätä sitten lyhyesti lisälähdön kytkemiseksi päälle tai pois päältä.
 - ▶ Näytön infoalueelle ilmestyy lisälähdön symboli.

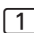
10.16. Valmiustilan aktivoiminen etäkäynnistystä varten

Standardin EN 60335-2-53 mukaan etäkäynnistystoiminnolla varustetut saunaohjaimet täytyy kytkeä manuaalisesti käyttötilaan ”Valmiustila etäkytkennän aktivoimiseksi”. Tämä aktivointi täytyy tehdä uudelleen joka kerta, kun kiuas on etäkytketty päälle tai pois.

Valmiustilan aktivoiminen etäkäynnistystä varten:

- Valitse kääntövalitsimella  etäkäynnistykseen symboli. Paina tätä sitten lyhyesti käynnistääksesi käyttötilan ”Valmiustila etäkäynnistystä varten”.
 - ▶ Saunaohjain kytkee kaikki aiemmin aktivoidut toiminnot pois päältä ja näyttöön ilmestyy etäkäynnistykseen symboli.
 - ▶ Saunaohjain on nyt valmiina kytketymään päälle tai pois etäkytkentäsignaalin avulla. Saunaohjainta ei ole mahdollista käyttää samanaikaisesti manuaalisesti.
 - ▶ Kun kiuas on etäkytketty päälle tai pois, etäkytkentäsymboli sammuu, ja käyttötilan aktivointi on tehtävä uudelleen.

Etäkäynnistykseen valmiustilan keskeyttäminen:

- Sulje etäkäynnistykseen valmiustila painamalla kääntövalitsinta  ja käännä sitä samanaikaisesti oikealle.



10.17. Värivalo

Värivalon käynnistäminen:

- Valitse kääntövalitsimella [1] värivalon symboli. Paina tätä sen jälkeen lyhyesti alivalikon avaamiseksi.
 - ▶ Alivalikko "Värivalo" aukeaa ja näyttöön ilmestyvät seuraavat valikkokohdat:
- Valoryhmä [1 - 4]
 - ▶ 4 valoryhmää on mahdollista konfiguroida ja käyttää eri tavoin. Esimerkiksi valoryhmä 1 on takalauteen valaistus, valoryhmä 2 katon värivalaistus jne.
- Valotila
 - ▶ Valitse tässä valitun valoryhmän väri tai liukuväri.
- Intensiteetti [0 - 100%]
 - ▶ Valitse tässä valitun valoryhmän intensiteetti.
- Tila [Päälle / pois]
 - ▶ Aktivoi tai deaktivoi tässä valittu valoryhmä.
 - ▶ Jos valoryhmä on aktivoitu, näytön infoalueelle ilmestyy värivalon symboli.

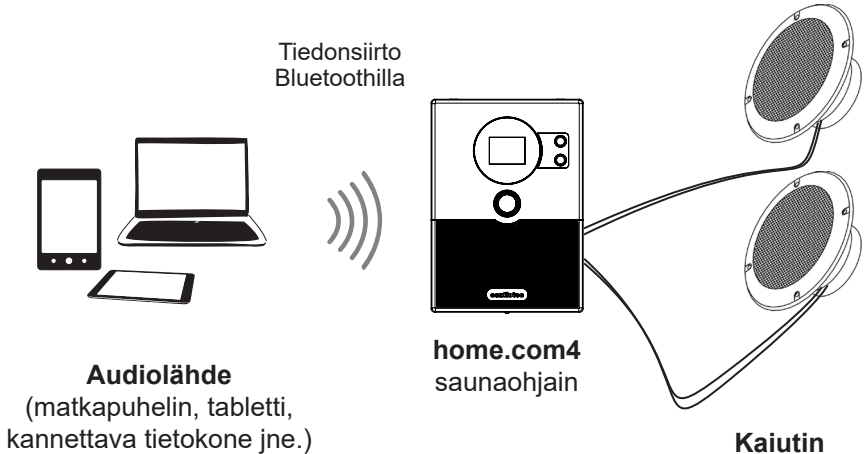


Kaikkien värivaloryhmien sammuttamiseksi käytä mieluiten "kaikki pois"-toimintoa.



10.18. Musiikki

Saunaohjaimen musiikkisoitin mahdollistaa musiikin soittamisen saunassa. Musiikki lähetetään tällöin Bluetooth-yhteydellä bluetooth-yhteensopivasta laitteesta (= audiolähde) saunaohjaimen. Audiolähteenä voidaan käyttää kaikkia bluetooth-yhteensopivia laitteista kuten useimpia matkapuhelimia, tabletteja, kannettavia tietokoneita jne. Vahvistin on valmiiksi sisäänrakennettuna saunaohjaimessa.



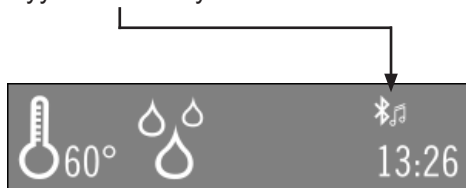
Ensimmäisen yhteyden luominen (liittäminen laitepariksi, Pairing)

1. Kytke audiolähde (matkapuhelin, tabletti jne.) päälle.
2. Kytke saunaohjain päälle.
3. Kytke audiolähteen Bluetooth-toiminto päälle.
 - ▶ Useimmat laitteet etsivät automaattisesti muut Bluetooth-laitteet lähistöltä ja näyttävät ne.
 - ▶ Saunaohjain näytetään audiolähteessä nimellä "home.com4 XXXX".
 - ▶ XXXX on saunaohjaimesta riippumaton tunnusnumero (esim. F39D)
 - ▶ Jos laite kysyy salasanaa, syötä "0000".



Jos audiolähteesi ei etsi automaattisesti lähistöltä Bluetooth-laitteita, käynnistä etsintä manuaalisesti esim. valitsemalla ”Etsi laitteita” tai samaan tapaan nimetty toiminto.

4. Valitse audiolähteessä näkyvästä laiteluettelosta ”home.com4”.
 - ▶ Ensimmäinen Bluetooth-yhteys audiolähteen ja saunaohjaimen välille luodaan (= liittäminen laitepariksi/Pairing).
 - ▶ wave.com4 sound on liitetty ja käyttövalmis, kun näytön infoalueelle ilmestyy Bluetooth-symboli.



5. Soita musiikkia audiolähteesi audiosoittimella.
 - ▶ Musiikki toistetaan saunaohjaimen liitetyistä kaiuttimista.



Puhelimen käyttö musiikin toiston aikana

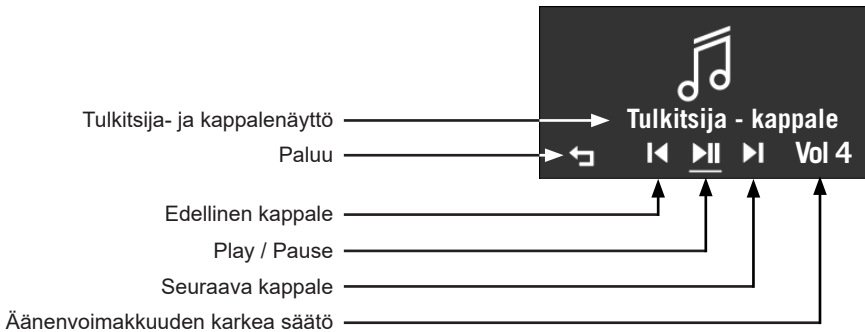
Jos valitset numeron tai vastaanotat puhelun, musiikin toisto keskeytyy automaattisesti ja jatkuu uudelleen puhelun jälkeen.

Koska saunaohjaimessa ei ole mikrofonia, joudut kytkemään äänitoiminnot toimimaan matkapuhelimessasi. Noudata tässä laitteesi käyttöohjeita.



Musiikin ohjaaminen saunaohjaimella:

- Valitse kääntövalitsimella **1** musiikin symboli. Paina tätä sen jälkeen lyhyesti alivalikon avaamiseksi.
 - ▶ Valikko ”Musiikki” avautuu ja näyttöön ilmestyvät alla näkyvät käyttökentät:
 - **Tulkitsija- ja kappalenäyttö** näyttää tietoja soitettavasta kappaleesta. Jos mitään audiolähdettä ei ole liitetty Bluetoothilla, näytössä näkyy ”ei yhdistetty”.
 - Valitse **Takaisin** poistuaksesi musiikkivalikosta. Jos kappaletta soitetaan parhaillaan, se soi taustalla edelleen.
 - Valitse **Edellinen kappale** siirtyäksesi soittolistalla yhden kappaleen taaksepäin.
 - Paina **Play / Pause** toiston käynnistämiseksi tai keskeyttämiseksi.
 - Valitse **Seuraava kappale** siirtyäksesi soittolistalla yhden kappaleen eteenpäin.
 - **Äänenvoimakkuuden karkeasäätö** on saunaohjaimessa mahdollista 4-portaisesti. Hienosäätöön käytetään audiolähdettä.



10.19. Väyläliitântä (RS485-liitântä)

- Kun järjestelmä on yhdistettynä MySentio-sovellukseen, käytät sovelluksen käyttölaitteita.
- Kun järjestelmä on yhdistettynä talon väyläjärjestelmään, käytät Rs485-rajapintadokumentaation komentoja.

11. Bluetooth-sovellus

Saunaohjaimen ”home.com4” kaikkia toimintoja voi käyttää ja ohjata Bluetooth-App-sovelluksella.

Lataa App-sovellus ”home.com4” App-Store-sovelluskaupasta. App-sovellus on saatavissa ilmaiseksi iOS- sekä Android-käyttöjärjestelmille.

Kantavuus on esteettömässä tilassa laitteesta riippuen jopa 30 m.

Tällöin App-sovellusta voi käyttää ja musiikkia striimata samasta laitteesta käsin.

Yhteyden luomiseksi home.com4-ohjaimen aktivoi Bluetooth laitteessasi ja käynnistä ”home.com4”-App-sovellus.

Se etsii automaattisesti käytettävissä olevia ”home.com4”-laitteita.



home.com4 Icon



Apple / iOS



Android



VAROITUS!

Palovaara

Käytä App-sovellusta vain, kun olet näköetäisyyden päässä kiukaasta ja voit olla varma, että kiukaalla EI OLE palavia esineitä!

11.1. Suojattu Bluetooth-pariliitoksen muodostus

Jos haluat estää ei-toivotun käytön Bluetoothin kautta, voit aktivoida toiminnot erikseen teknikkovalikossa (sivu 35).

Kun toiminto ”Secure Pairing App” ja/tai ”Secure Pairing Music” on aktivoitu, ensimmäisen yhteyden muodostaminen vaatii kuittauksen ohjaimella (kiertopainikkeen painallus) Ohjaimen näyttöön ilmestyy vastaava kehoitus. Yhteys luodaan vasta, kun se on kuitattu onnistuneesti, ja laitteen tunnus tallennetaan pysyvästi ohjaimeen. Tämä laite ei siten vaadi enää uutta kuittausta.

Tarvittaessa kaikki tallennetut yhteydet/laitteet voidaan poistaa teknikkovalikon kohdassa ”Delete Paired Devices”.

12. Puhdistus ja huolto

12.1. Puhdistus

HUOMIO!

Laitteen vauriot

Saunaohjain on roiskevesisuojattu, mutta laite voi kuitenkin vaurioitua joutuessaan suoraan kosketukseen veden kanssa.

- ÄLÄ KOSKAAN upota laitetta veteen.
- Älä kaada laitteen päälle vettä.
- Älä puhdista laitetta liian kostealla liinalla.

1. Kasta puhdistusliina mietoon saippuoliuokseen.
2. Väännä puhdistusliina kuivaksi.
3. Pyyhi saunaohjaimen kotelo varovasti puhtaaksi.

12.2. Huolto

Saunaohjainta ei tarvitse huoltaa.

13. Hävittäminen



- Hävitä pakkausmateriaali voimassaolevien määräysten mukaisesti.
- Laiteromussa on kierrätettäviä materiaaleja, mutta myös haitallisia aineita. Älä siis missään tapauksessa hävitä laiteromua sekajätteen mukana, vaan hävitä laite paikallisten voimassa olevien määräysten mukaisesti.

14. Ongelmanratkaisu



14.1. Virheilmoitukset

Saunaohjaimessa on diagnoosiohjelmisto, joka tarkistaa järjestelmän tiloja päällekytkennän ja käytön aikana. Saunaohjain kytkee kiukaan pois päältä heti, kun diagnoosiohjelmisto havaitsee virheen.

Virheet näytetään näytössä virhenumeroina. Lisäksi kuuluu toistuva varoitusääni.

Kytke saunaohjain pois päältä päälle/pois-kytkimellä [2] ja korjaa virhe, ennen kuin kytket saunaohjaimen uudelleen päälle.

Seuraavan sivun taulukko kuvaa mahdolliset virheet ja niiden syyt. Ilmoita virheen numero tarvittaessa asiakaspalveluun.

Jos samanaikaisesti ilmenee useita virheitä, virhenumerot erotetaan asteriskimerkillä *.

14.2. Vedenpuutteen näyttö



Yhdistelmäkäytössä saunaohjaimessa on automaattinen vedenpuutteen näyttö, mikäli yhdistelmäkiukaasi sitä tukee.

Jos höyrystimen vesisäiliö on tyhjä, se ilmaistaan toistuvalla varoitusäänellä, kosteussymbolilla ja tekstillä ”**Lisää vettä**” näytöllä. Samalla höyrystin kytkeytyy pois päältä.

- Lisää höyrystimen vesisäiliöön vettä.
 - ▶ Vähän ajan päästä varoitus sammuu ja höyrystin alkaa taas kuumentaa.



Höyrystimen täyttämisen ja varoituksen välissä voi kulua jokunen sekunti, koska tunnistus tapahtuu höyrystimen lämpötilakytkimellä.

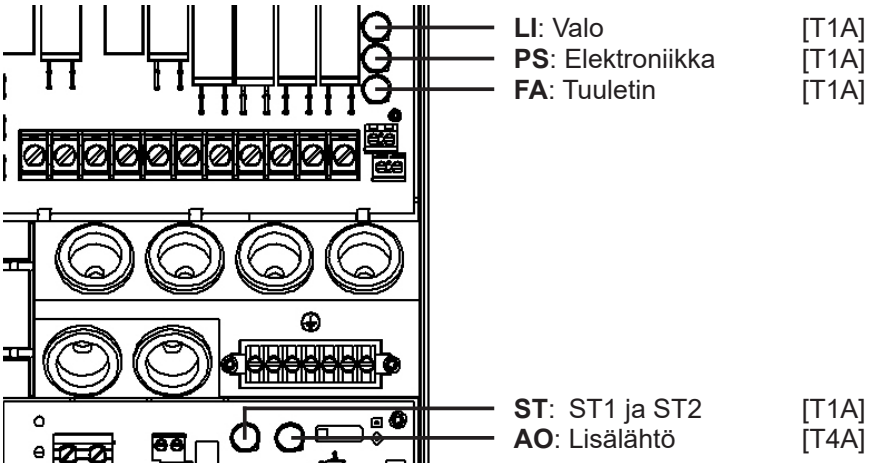
Virhe	Kuvaus	Syy / ratkaisu
*01	Turvakatkaisin	<p>Kiukaan päällä on esine. Poista esine, ennen kuin otat saunaohjaimen uudelleen käyttöön.</p> <p>Jos turvakatkaisua ei ole asennettu, noudata kohtaa ”5.7. Turvakatkaisin” sivulla 23.</p>
*02	Ylikuumenemissulake	Kiukaan yläpuolen enimmäislämpötila 139 °C on ylittynyt. Tarkista ylikuumenemissulake (STB).
*04F1	Kiuasanturin virhe	Viallinen kiukaan anturi, huono kosketus tai oikosulku. Tarkista kiuasanturi (F1).
*05	Kalvoanturin virhe	Viallinen kalvoanturi, huono kosketus tai oikosulku. Tarkista kalvoanturi (FF).
*06F2	Laudeanturin virhe	Viallinen laudeanturi, huono kosketus tai oikosulku. Tarkista laudeanturi (F2).
*07	Kosteusanturin virhe	Viallinen kosteusanturi, huono kosketus tai oikosulku. Tarkista kosteusanturi (FTS2).
*08	Kalvoanturin ylikuumeneminen	Enimmäiskalvolämpötila 100 °C ylittynyt. Kytke lisälähtö pois päältä.

Muu virhe	Syy / ratkaisu
Ei toimintoa	Tarkista tulojohdin L1 ja sulake PS .
Ohjelämpötilaa ei saavuteta	<ul style="list-style-type: none"> ● Laudeanturia ei ole aktivoitu teknikkovaiikossa (jos sellainen on) ● Kiukaan teho liian pieni / saunahuone liian suuri ● Tarkista tulo- ja poistoilma ● Tarkista tehonkulutus U, V ja W.
Värivalot palavat, vaikka ohjain on kytketty pois päältä.	Käytä värivalon sammuttamiseen ”Kaikki pois” -toimintoa.
Lisälähtöä ei voi himmentää	Aktivoi himmennustoiminto teknikkovaiikossa (dimnable)
Käyttötapa keskeytyy ilman selvää syytä	Tarkista käyttöajan asetukset
Etäkäynnistys ei reagoi	<ul style="list-style-type: none"> ● Ohjaimen täytyy olla käyttötilassa ”Etäkäynnistykseen valmiustila” (katso ”10.16. Valmiustilan aktivoiminen etäkäynnistystä varten” sivulla 48) ● Tarkista RS1- ja RS2-johdotus.
Kellonaika alkaa aina 00:00:sta	Paristo tyhjä (katso ”Paristo” sivulla 58)

14.3. Sulakkeet

Saunaohjaimen liitännäalueella on sulakkeet valoa, tuuletinta, teholaajennusta, lisälähtöä ja elektroniikkaa varten.

Ne ovat hitaita mikrosulakkeita. Niitä voi tilata tuotenumeroilla PRO-FUSE. Kun vaihdat sulakkeen, vedä sulake irti suorassa asennossa ja aseta uusi sulake paikoilleen.



14.4. Paristo

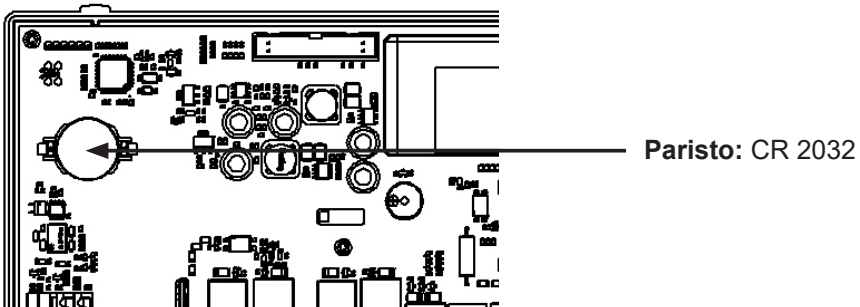
Jotta kellonaika- ja päivämääräasetukset eivät häviä sähkökatkon sattuessa, perusmoduulissa on paristo. Se täytyy vaihtaa tarvittaessa, jos kello ei enää käy aikaa.



VAROITUS!

Sähköisku

Ennen kotelon avaamista irrota saunaohjaimen kaikki navat sähköverkosta ja varmista, että sitä ei voi kytkeä takaisin päälle.



15. Tekniset tiedot

Ympäristövaatimukset

Varastointilämpötila:	-25 °C ... +70 °C
Ympäristön lämpötila:	-10 °C ... +40 °C
Ilmankosteus:	maks. 95 %

Saunaohjain

Mitat (L x K x S):	210 x 294 x 53
Kytkenjännite / kolmivaiheinen 3N:	400 V AC
Taajuus:	50 Hz
Tehonkulutus valmiustila:	8 W
Kytkenäteho/lämmityslaite:	3 x 3,5 kW
Kytkenävirta per vaihe/lämmityslaite:	16 A
Kytkenäteho/höyrystin:	3,5 kW
Kytkenävirta /höyrystin:	16 A
Kytkenäteho/lisälähtö (säädettyvä teho)*	500 W
Kytkenäteho/lisälähtö (kytkettävä)*	3,5 kW
Kytkenävirta / lisälähtö*:	16 A
Nimellisjännite:	230 V
Kotelointiluokka (roiskevesisuojuattu):	IPX4
Liitetään syöttöverkkoon kiinteällä johdotuksella (kiinteä asennus)	

Valaisin

Kytkenäteho:	100 W
Sulake:	1 A T

Tuuletin

Kytkenäteho:	100 W
Sulake:	1 A T

Säätöalueet

Lämpötila:	30 °C ... 110 °C
Kosteus:	0 % ... 100 %

Suurin asetettava kosteus riippuu saunan lämpötilasta. Mitä korkeampi lämpötila, sitä vähäisempi on suurin asetettava kosteusarvo.

Terminen turvallisuus

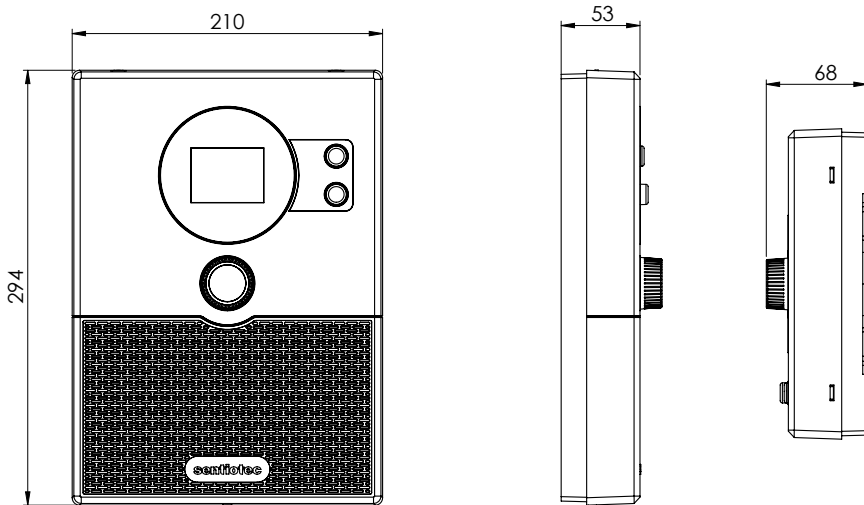
Kiuasanturi, jossa ylikuumenemissulake (139 °C sammutuslämpötila)
 Lämmitysajan automaattinen rajoitus säädettävissä (6 h, 12 h, 18 h, 24 h)*
 Valinnaisena yksianturi- tai kaksianturikäyttö

Liitäntäjohdot

Syöttöjohto:	min. 5 x 2,5 mm ²
Kiukaan syöttöjohto (kuumuudenkestävyys 150 °C:een asti):	min. 2,5 mm ²
Anturijohdot (kuumuudenkestävyys 150 °C:een asti):	min. 0,5 mm ²
Valojohto:	min. 1,5 mm ²
Tuuletinjohto:	min. 1,5 mm ²

Laajennusmoduuli

Vahvistinteho (@ 4 Ω):	2 x 3 W
Kaiuttimen musiikkikuormitettavuus:	~ 25 W
Kaiuttimen impedanssi:	4 Ω tai 8 Ω
Bluetooth-profiili:	Bluetooth 4.0 Class 2
Bluetooth-kantavuus:	20–30 m
DMX-profiili:	DMX-512-A



sentiotec

DIVISION OF HARVIA GROUP

CENTRAL EUROPE
sentiotec GmbH | Division of Harvia Group |
Wartenburger Straße 31,
A-4840 Vöcklabruck
T +43 (0) 7672/22 900-50 | F -80 |
info@sentiotec.com | www.sentiotec.com

GLOBAL
HARVIA
P.O. Box 12, Teollisuustie 1-7,
40951 Muurame, FINLAND
T +358 207 464 000
harvia@harvia.fi | www.harvia.fi

RUSSIA
Адрес уполномоченного лица:
ООО «Харвия Рус»
196006, Россия. Санкт-Петербург г,
пр-кт Лиговский, д. 266, стр. 1, помещ.
2.1-Н.50 | ОГРН 1157847200818
T +78123258294 | spb@accountor.ru

